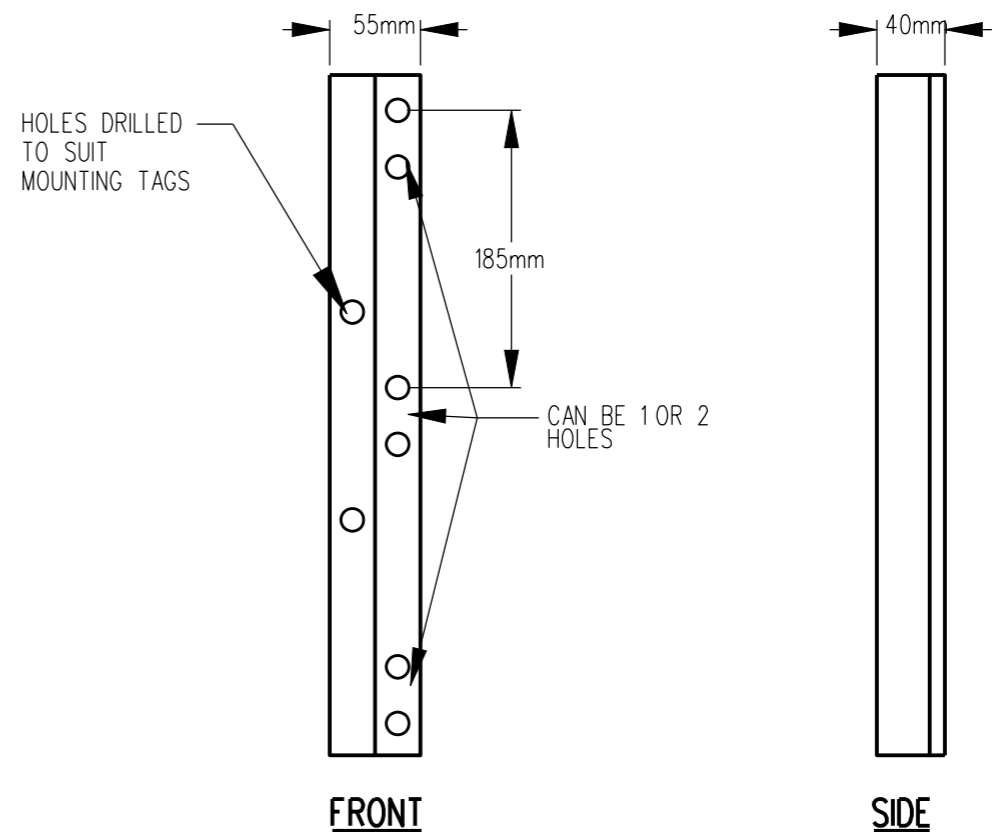
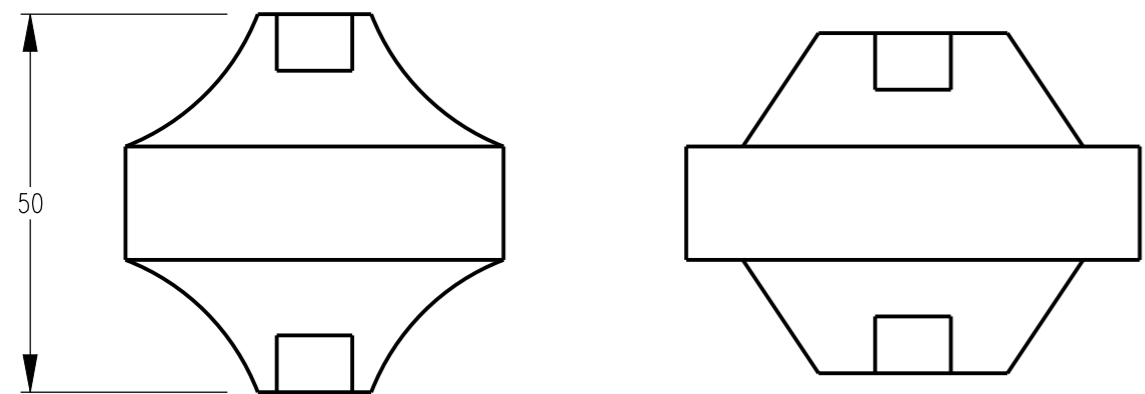
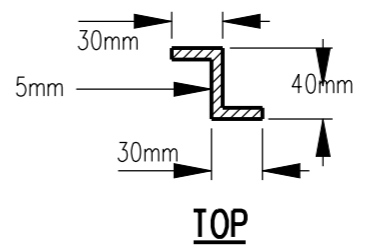


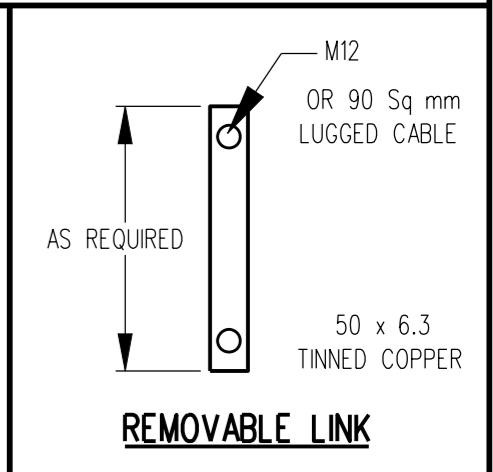
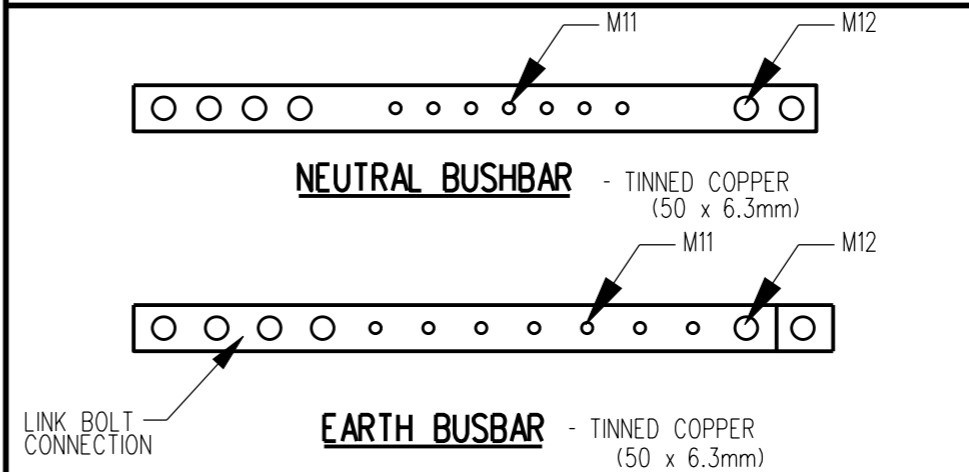
MATERIAL - TINNED COPPER



INSULATING MOUNTING RAIL - FIBERGLASS



SEE DWGS S02-1-7-10, S02-1-2-8-01



1	SUPERSEDED	A.T.	DEC'12	B.C.	B.C.
NO	DESCRIPTION	DRN	DATE	CKD	APPD
AMENDMENTS					



DES	B.C.	POWER STANDARD DRAWING		
DRN	K.I.	<b>PACKAGE SUBSTATIONS LOW VOLTAGE FITTINGS</b>		
CKD	B.C.			
APPD	S.C.	A3	DRAWING NUMBER	S02-1-7-09
SCALE	NTS			
ISSUED	JUL'06	DRAFTING STANDARD TO AS.1100		
ALL DIM. IN	mm			
CAD PRODUCT - DO NOT AMEND MANUALLY		AMDT		