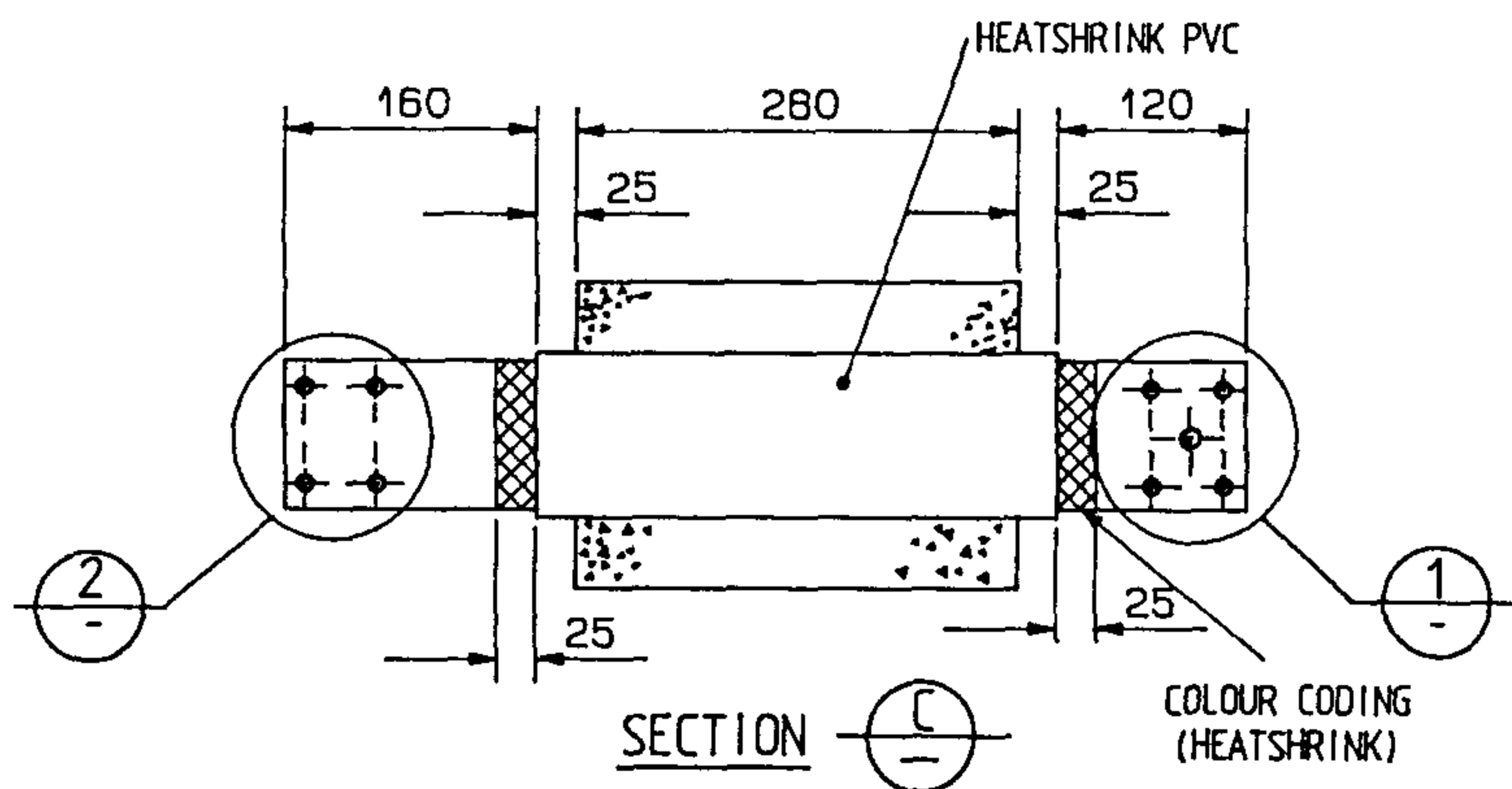
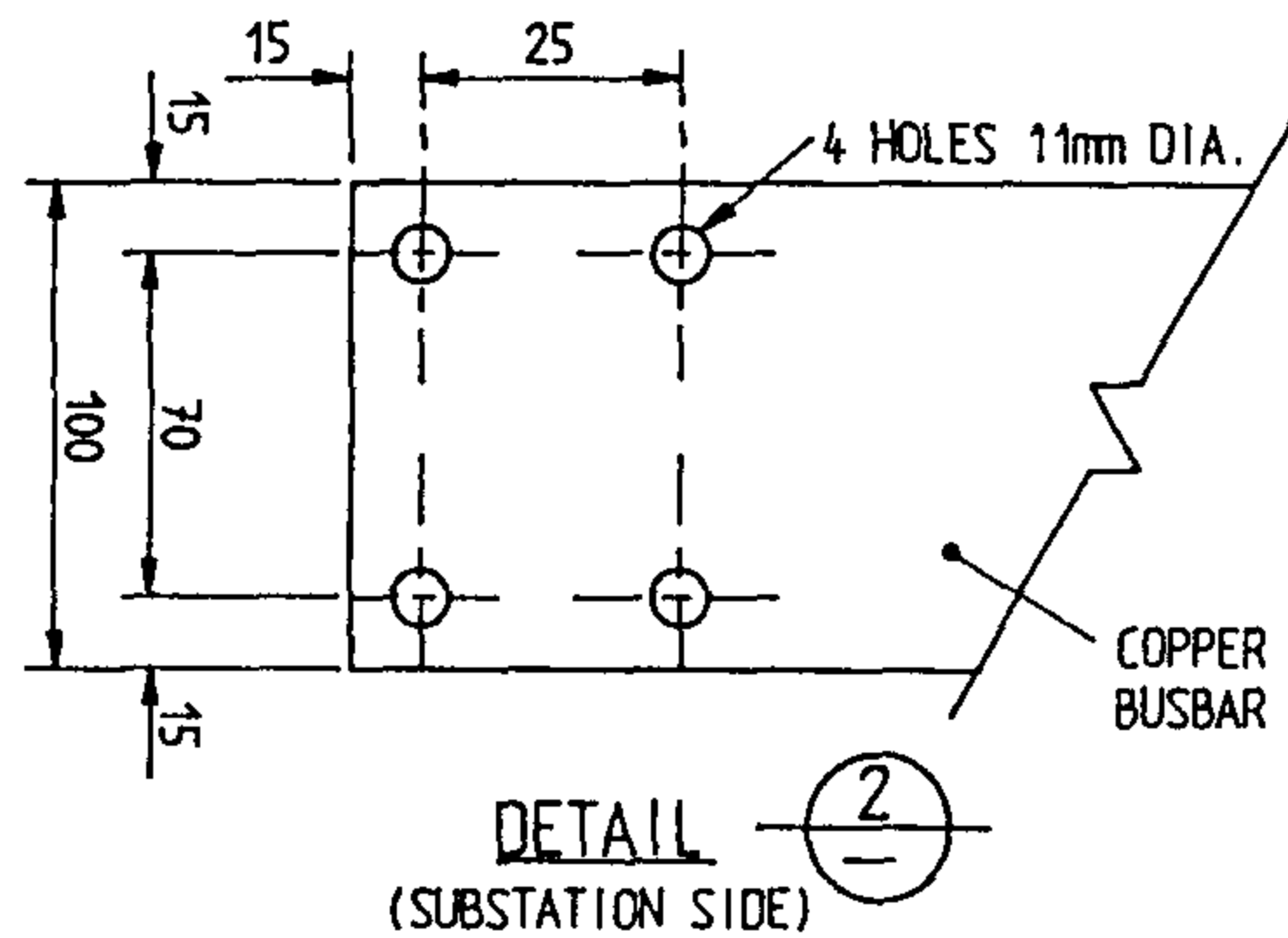
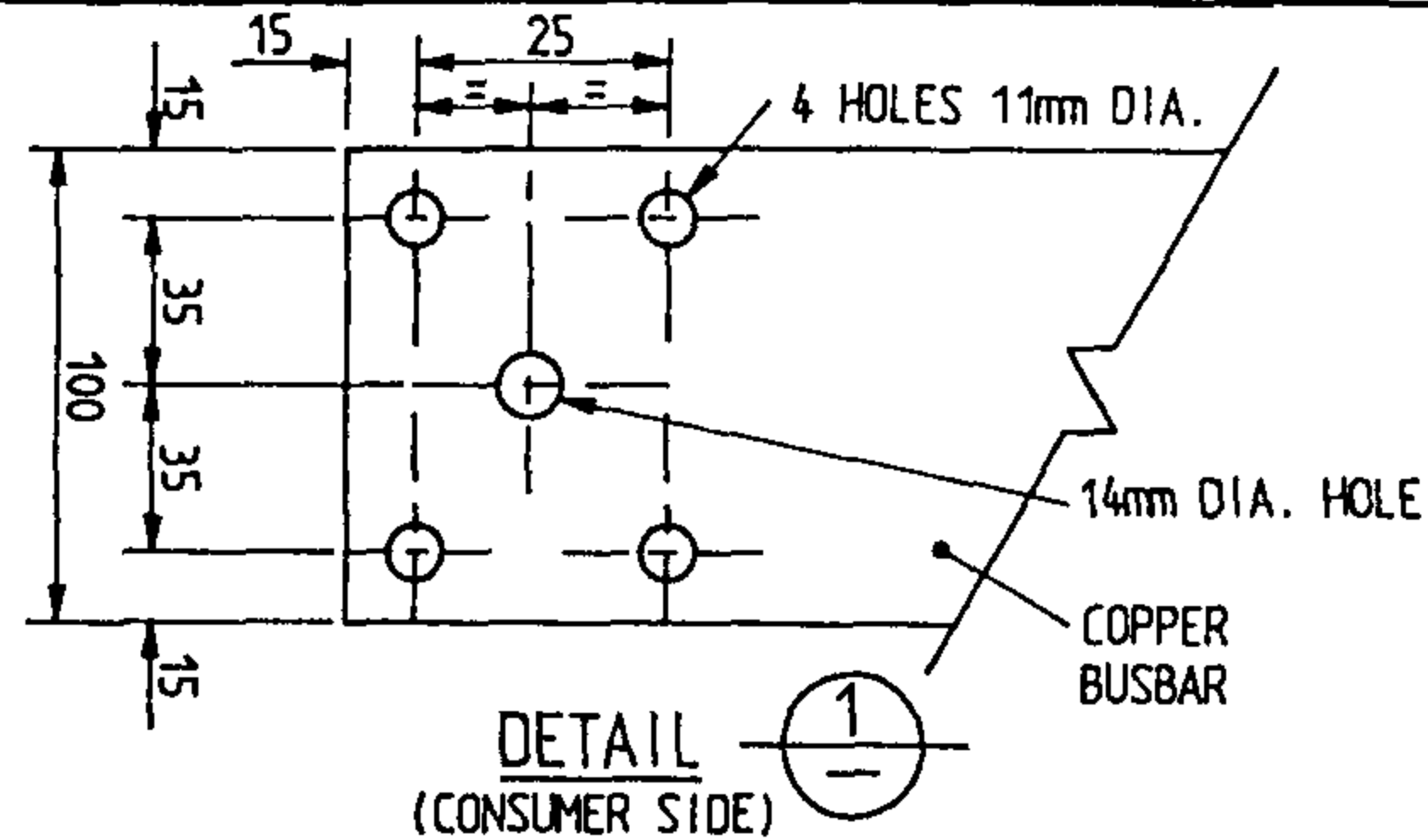
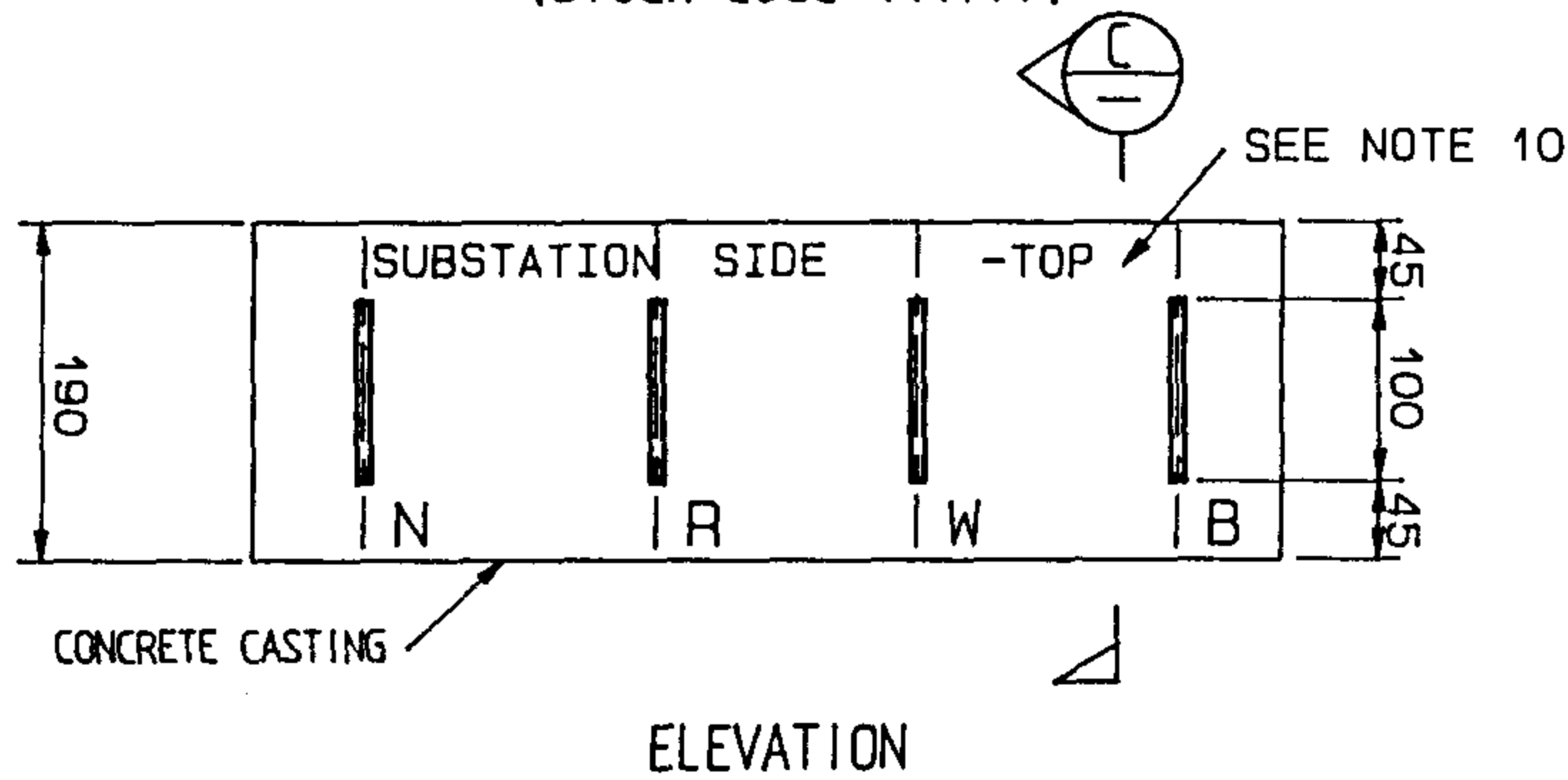


ITEM 1 - WALL BUSHING  
(Stock Code 114777)



NOTES:

1. CONCRETE AND CONCRETE MATERIALS SHALL BE IN ACCORDANCE WITH AS 1480
2. MINIMUM COMPRESSIVE STRENGTH SHALL BE 20MPa AT 28 DAYS. SLUMP SHALL BE 25-50mm
3. CEMENT SHALL BE PORTLAND TYPE A, AND AGGREGATE SHALL BE 6-10mm IN SIZE.
4. ALL MATERIAL SHALL BE ACCURATELY MEASURED BY WEIGHT, OR A WEIGHT/VOLUME CONVERSION METHOD
5. SURFACE FINISH IS TO BE AS PER MOULD, THE TOP HAVING BEEN NEATLY STEEL FLOATED.
6. CARE IS TO BE TAKEN THAT THE PVC BUSBAR COVERING IS NOT DAMAGED DURING MOULDING
7. DIMENSIONS MARKED ARE MANDATORY
8. ALL HOLES DRILLED IN BUSBARS ARE TO BE CLEARED OF BURRS AND SHARP EDGES. BUSBAR CONTACT SURFACES ARE TO BE TINNED
9. BUSBARS ARE TO BE COLOUR CODED USING HEAT SHRINK. PHASE SEQUENCE ON SUBSTATION END OF BUSHING WILL BE NEUTRAL (BLACK), RED, WHITE, BLUE.
10. THE BUSHING IS TO BE MARKED TO INDICATE THE TOP ON THE SUBSTATION SIDE. USING A WATERPROOF MARKING PEN AFTER CASTING IS COMPLETED
11. HEATSHRINK PVC IS TO HAVE AN OVERLAP OF NOT MORE THAN 50mm WHERE JOINED
12. NEUTRAL BUSBAR COLOUR CODING WILL BE ACCOMPLISHED BY EXTENDING HEAVY DUTY HEATSHRINK TUBING, STOCK CODE 3210 TO 50mm ON EACH SIDE OF CASING

				<b>POWER AND WATER AUTHORITY</b> 	DES —	N.T. STANDARD	
					DRN W.TAYLOR	SUBSTATIONS INDOOR WALL BUSHING - LV	
				CKD g.mckinnon			
				APPD B.T.KENT			
				SCALE N.T.S.	A3	DRAWING NUMBER S2-1-7-6	
				ISSUED JUNE '88			
				ALL DIM. IN mm	CAD PRODUCT — DO NOT AMEND MANUALLY		AMDT
				DRAFTING STANDARD TO AS 1100			
No.	AMENDMENT	DRAWN	DATE	APPD			
7	NOTE 9 REVISED. (REFERENCE TO STOCK CODE REMOVED)	gmck	JAN '89	B.T.K.			
6	REDRAWN AND UPDATED. TITLE AND DRAWING NUMBER CHANGED.	H.T.	JUNE 88	B.T.K.			