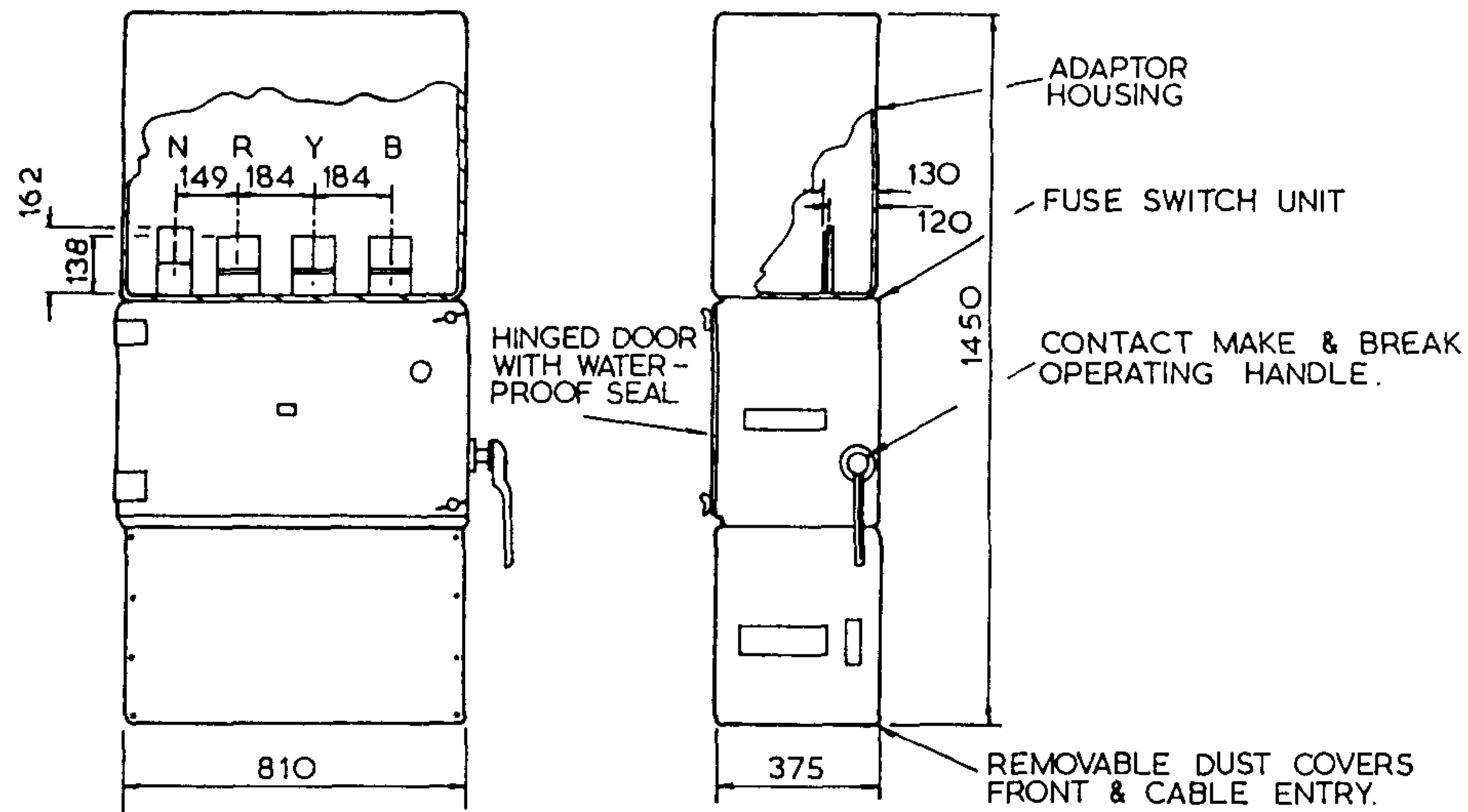
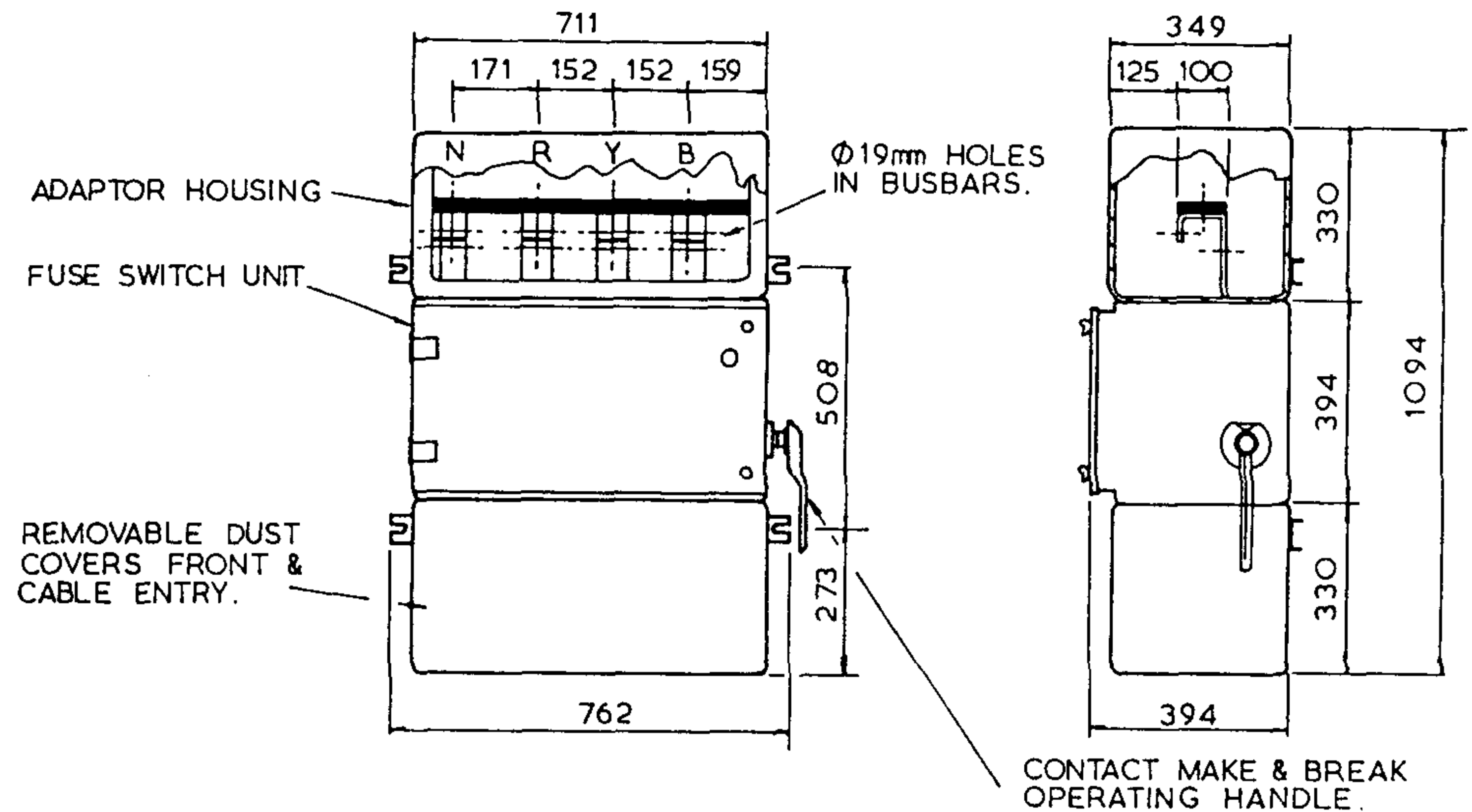


3RD ANGLE — DO NOT SCALE — REPORT ANY ERRORS, OMISSIONS TO DRAFTING OFFICE

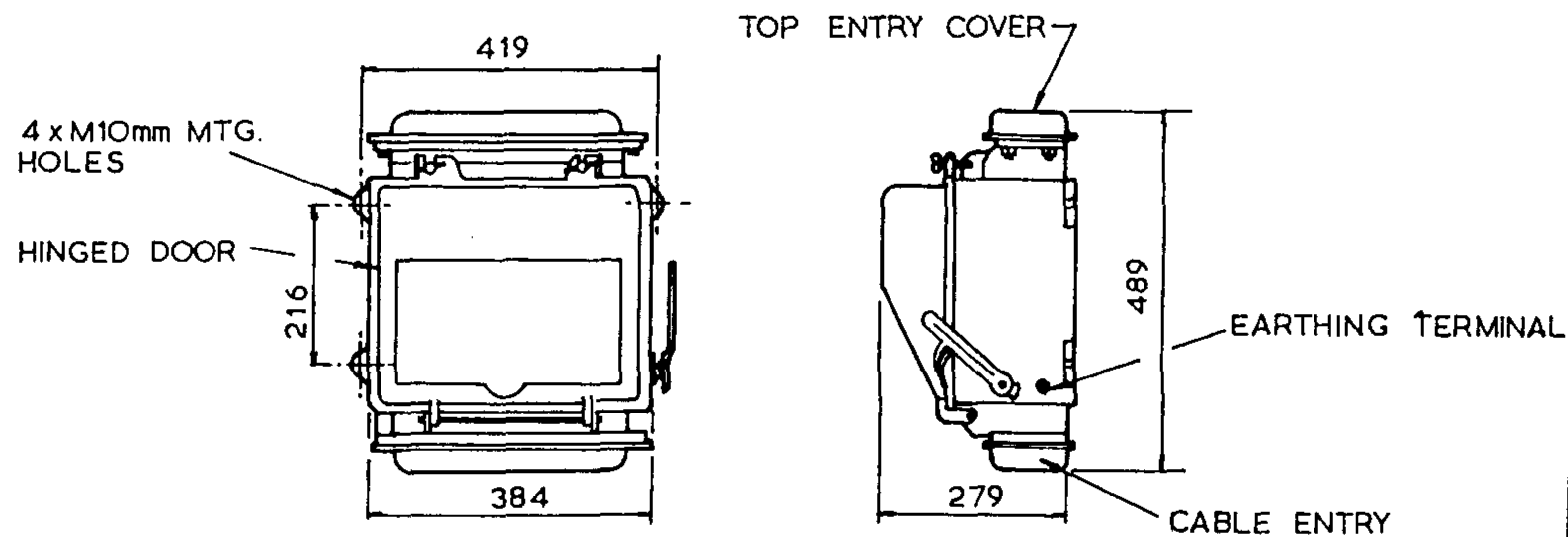


1600A COMBINATION FUSE SWITCH

NOTE - BUSBARS MUST BE CAPABLE OF BEING USED, WITHOUT MODIFICATION ON STANDARD 1000A G.E.C. BUS CHAMBERS.



800A COMBINATION FUSE SWITCH



300A COMBINATION FUSE SWITCH

TECHNICAL DATA:

MAX. OPERATING VOLTAGE — 440 V.
 BUSBAR ARRANGEMENT — TRIPLE POLE & NEUTRAL.
 RUPTURE CAPACITY — 50 MVA.

MATERIAL:

CABINET - 1600A & 800A, MILD STEEL
 - 300 A, CAST IRON.
 FINISH - 1600A, 800A & 300A, PAINTED GREY.

APPLICATION - REPLACEMENTS ONLY.

No.	DESCRIPTION	DATE	INIT.	No.	DESCRIPTION	DATE	INIT.
				4	TITLE & Org NUMBER CHANGED	5/88	JJA
				3	INDEX NO. ALTERED	3/85	JJA
				2	REDRAWN & REDESIGNED	1/85	JR.
AMENDMENTS							

<p>POWER AND WATER AUTHORITY</p> <p>POWER DIRECTORATE</p>	DES R. HAIGH	NT STANDARD DRAWING	
	DRN R. HAIGH	TITLE FUSES & SWITCHGEAR	
	CKD <i>[Signature]</i>	COMBINATION FUSE SWITCH	
	APPD <i>[Signature]</i>	300 A, 800 A & 1600 A	
	ISSUED 4.2.86		
DRAFTING STANDARD TO A.S. 1100	A3	DRAWING NUMBER	S2-1-4-15
ALL DIM. IN mm	SCALE	N.T.S.	SHEET
			<p>4</p>