

2 x SEALING HOLES

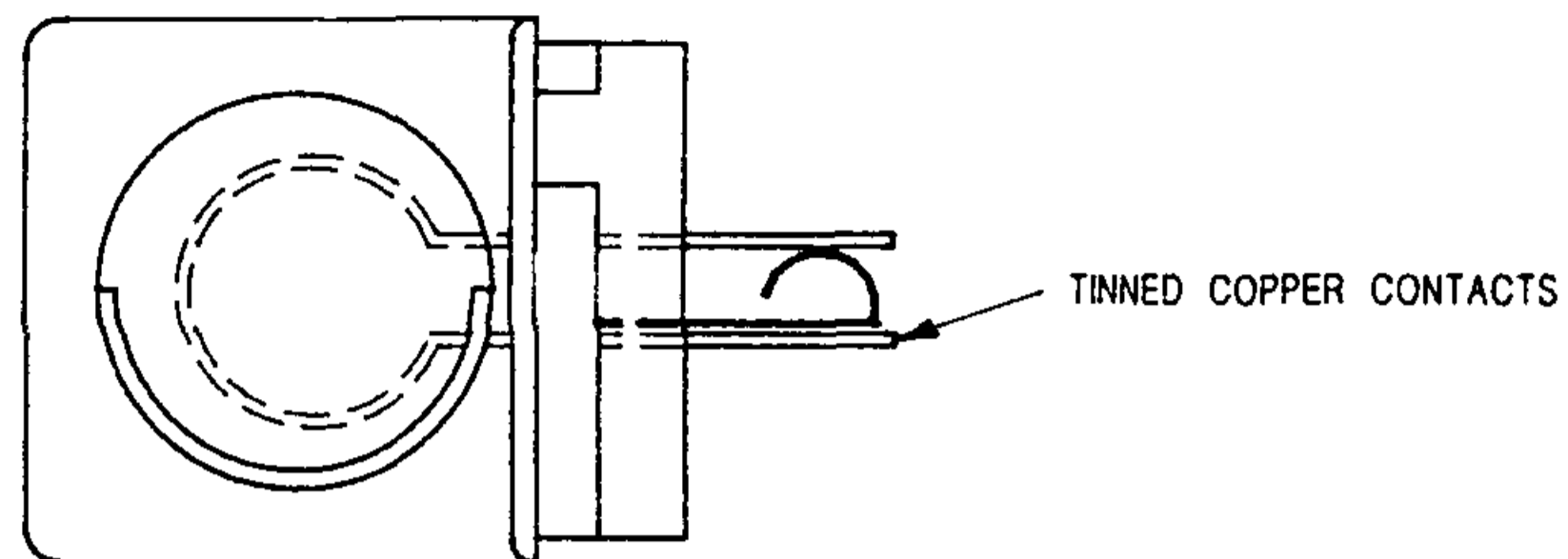
4 x CABLE ENTRY HOLES

3 x MOUNTING HOLES

24

32.8

73.7



PLAN

NOTES

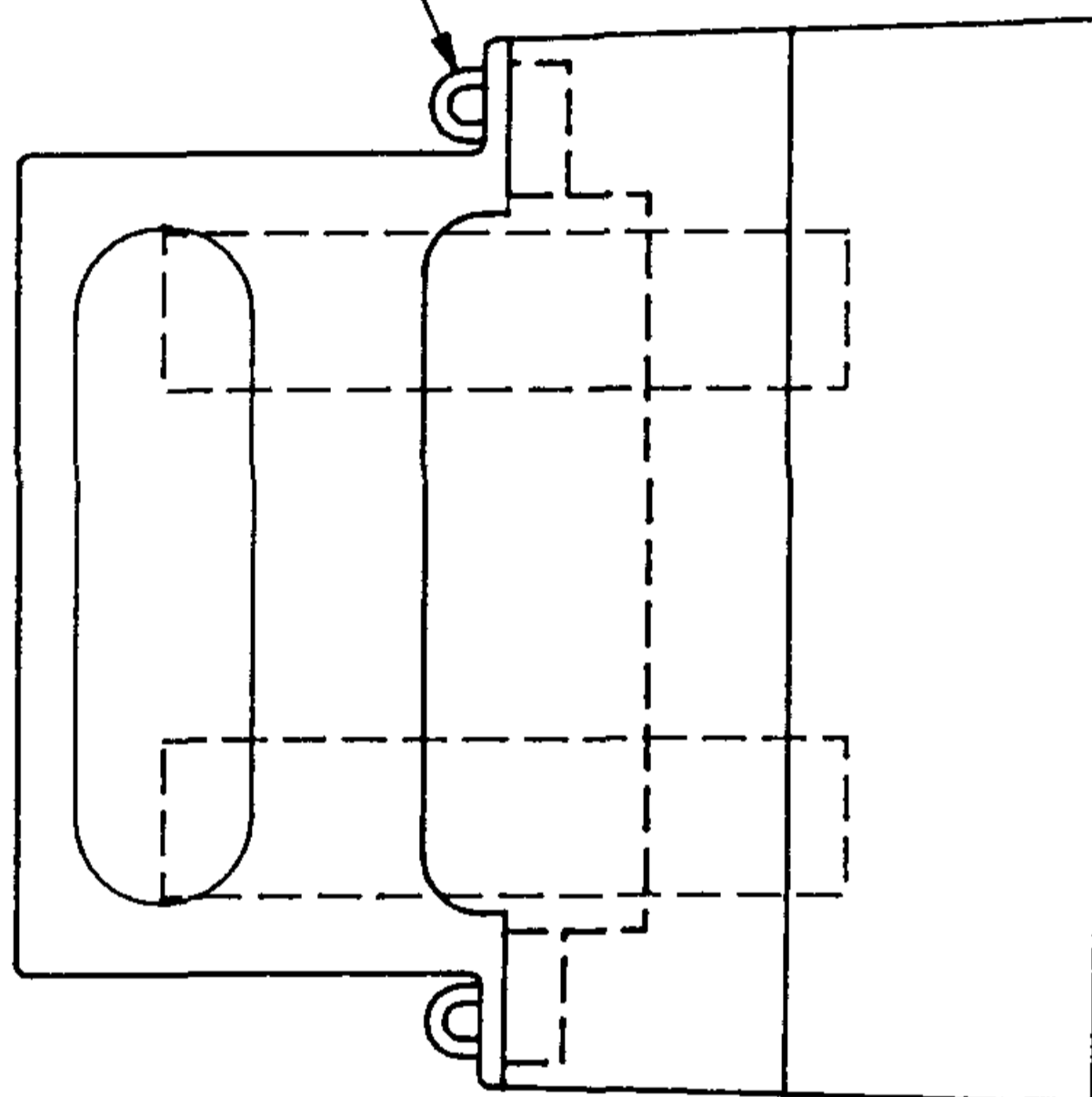
1 THE FOLLOWING FUSES ARE TO BE USED IN FUSE CARRIERS -

AMPERE RATING	STOCK CODE
63A	10322
80A	10314
100A	216028

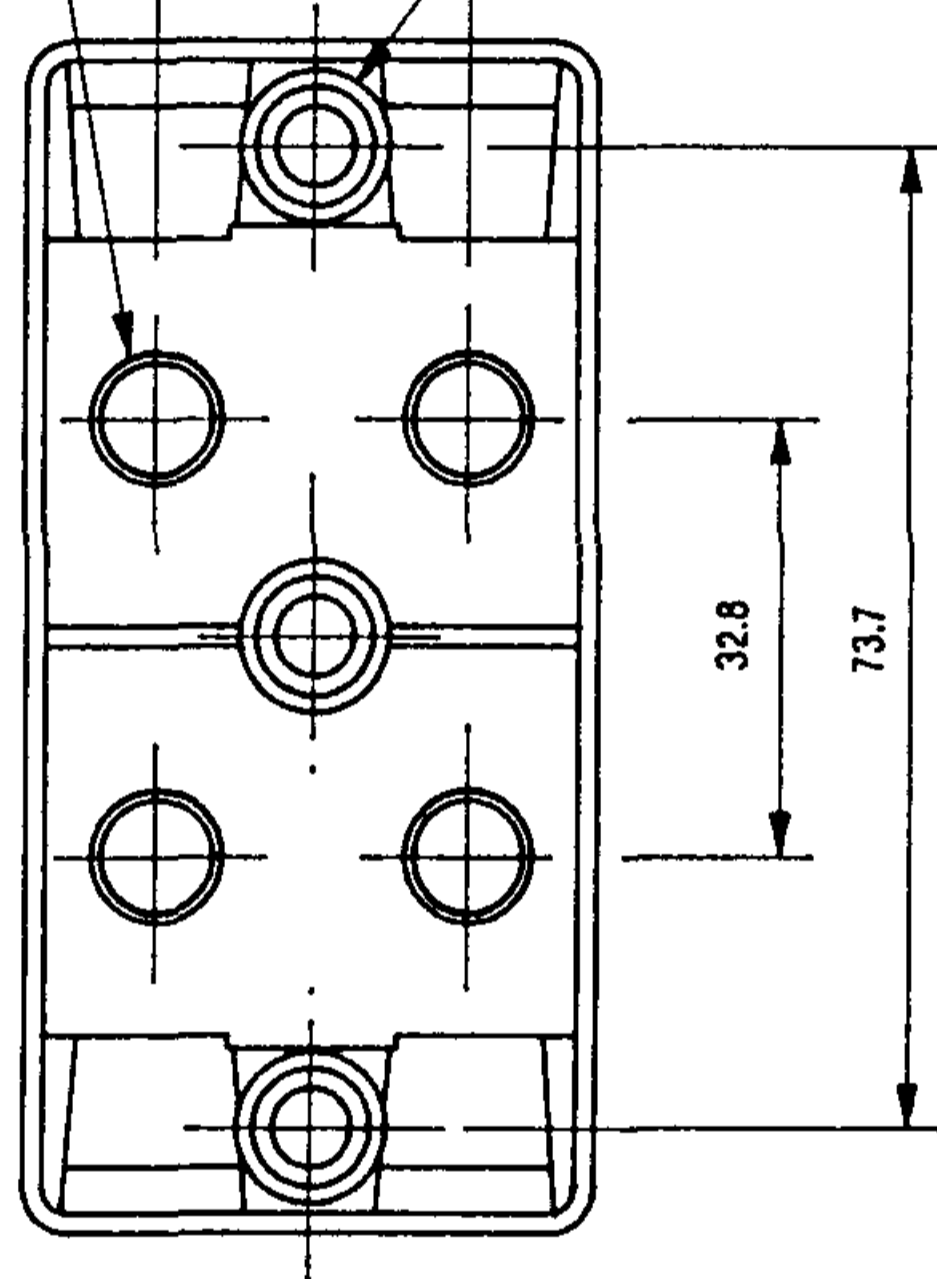
REFER TO DRG.No.S1-1-4-12 FOR DETAILS

2 BASE AND CARRIER MATERIAL TO BE TRANSPARENT HIGH IMPACT POLYMER

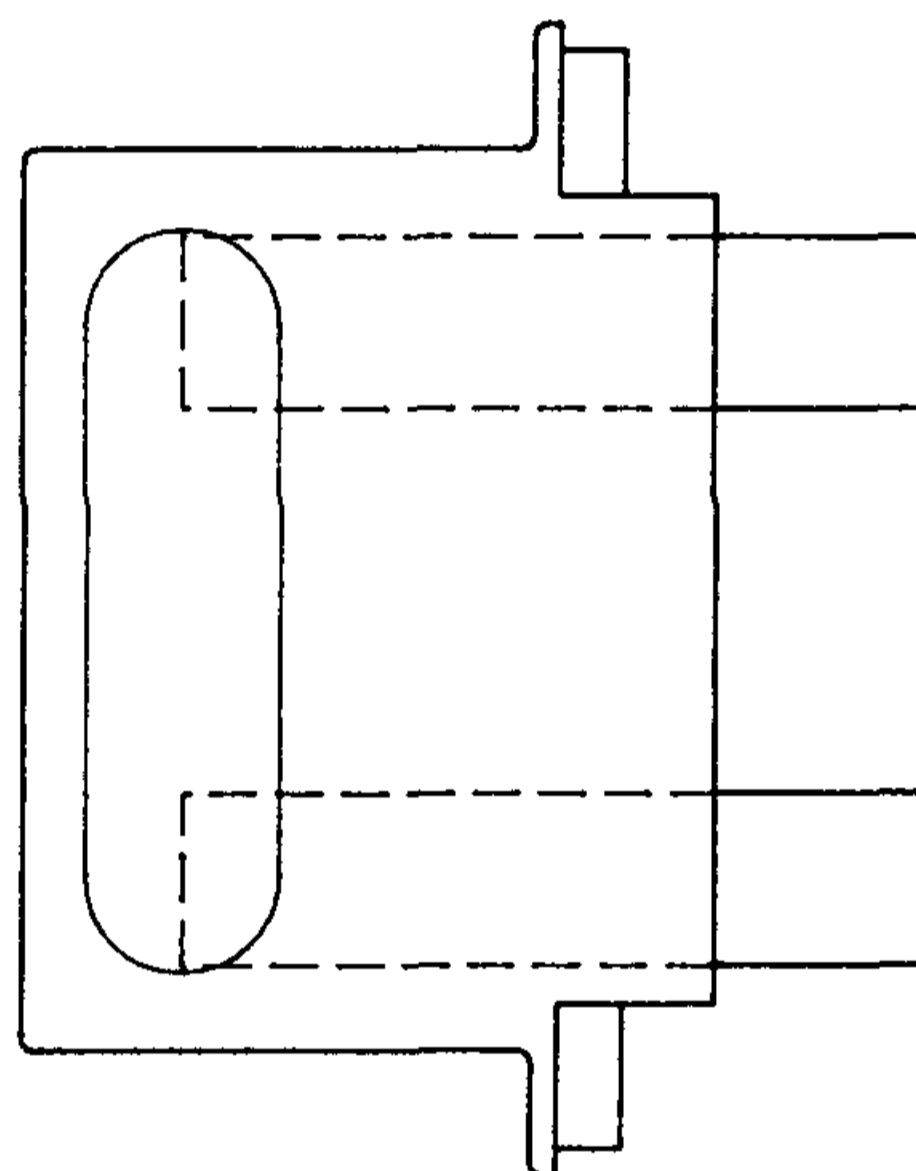
3 BASE IS TO BE SUITABLE FOR BACK WIRING



ELEVATION



BASE VIEW



ELEVATION

ITEM 1 - BASE & CARRIER ASSEMBLY 100 AMP  
(Stock Code - 5173)  
Nilsen Part No. NSH1002ABW

ITEM 2 - CARRIER 100 AMP  
(Stock Code - 249136)  
Nilsen Part No. NSHCAR2A

No.	AMENDMENT	DRN	CKD	APPD	DATE		DES	A.B.	N.T. STANDARD DRAWING		
							DRN	gmck	FUSES and SWITCHGEAR		
							CKD	N.Stubbs	FUZE BASE and CARRIER		
							APPD	B.T.Kent	METER BOX MOUNTED SERVICE FUZE		
							SCALE	1:1	A3	DRAWING NUMBER	S2-1-4-12
ISSUED	NOV'92	CAD PRODUCT — DO NOT AMEND MANUALLY		AMDT							
						NORTHERN TERRITORY	ALL DIM. IN mm	DRAFTING STANDARD TO AS 1100			