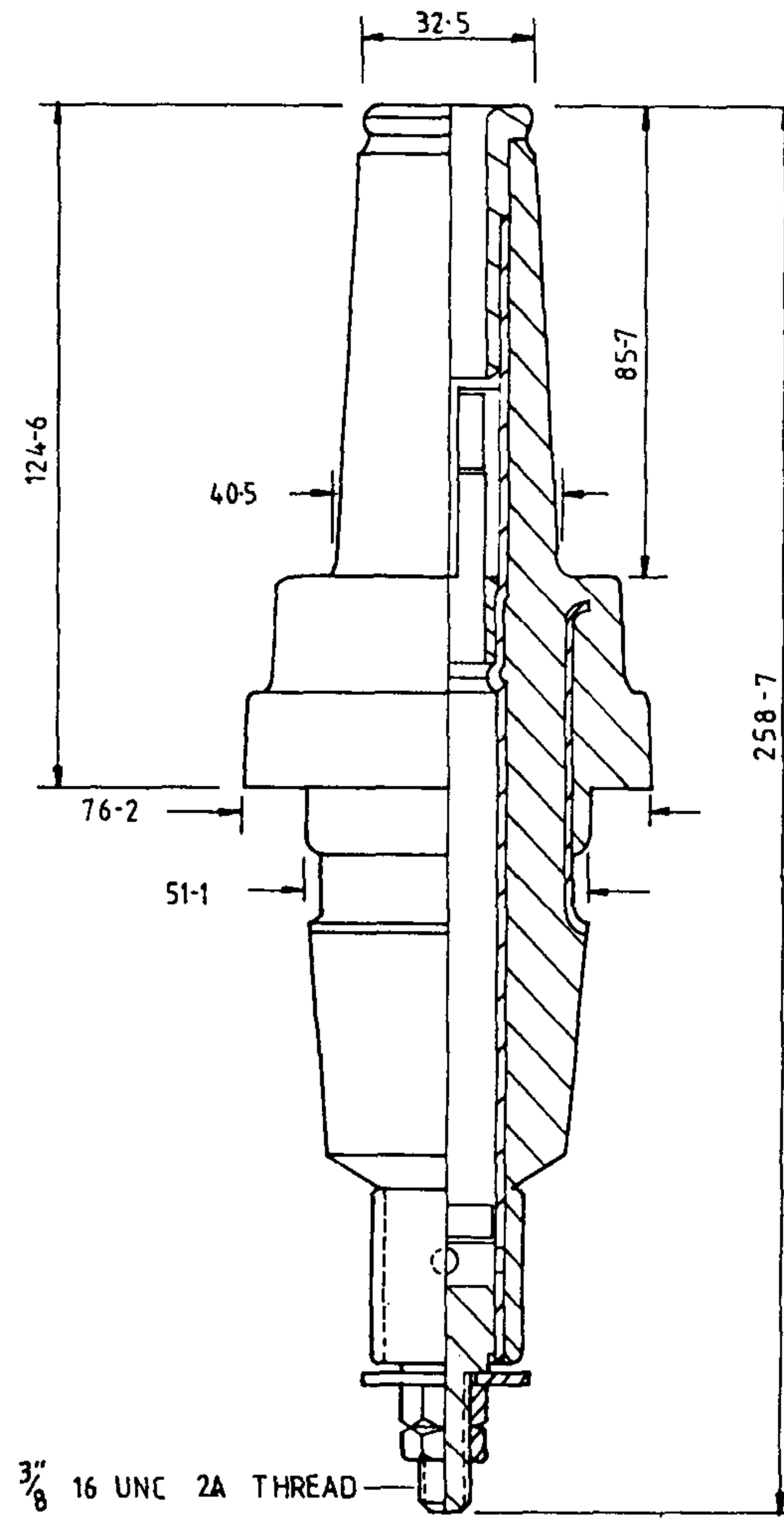




3RD ANGLE — DO NOT SCALE — REPORT ANY ERRORS, OMISSIONS TO DRAFTING OFFICE



NOT A STOCK ITEM

		NOTE
description	R.T.E. catalogue number	Item similar to RTE 8-3 KV SBT bushing
bushings (sidewall M.T.D. ext clamp)	2602048-B01.	US- standard 3-17-1971
gasket	0501517-A07.	MATERIAL, polyester stud - brass

		POWER AND WATER AUTHORITY		DES R. HAIGH		NT STANDARD DRAWING	
				DRN S. JOHNSTON		TITLE FUSES & SWITCHGEAR	
				CKD <i>S. Johnston</i>		LOAD BREAK SYSTEM	
				APPD <i>W. H. H.</i>		BUSHING	
				ISSUED 4.28.6		TRANSFORMER	
				DRAFTING STANDARD TO A.S. 1100		A3	DRAWING NUMBER S2-1-4-7
				ALL DIM. IN mm		SCALE NOT TO SCALE	SHEET _____
							AMDT. 

NO	DESCRIPTION	INIT	DATE
3	TITLE & Drg NUMBER CHANGED		5/88 QZJ
2	STORES NUMBER REMOVED	BK	01.87
1	REDRAWN & REVISED	TR	1.85

AMMENDMENTS