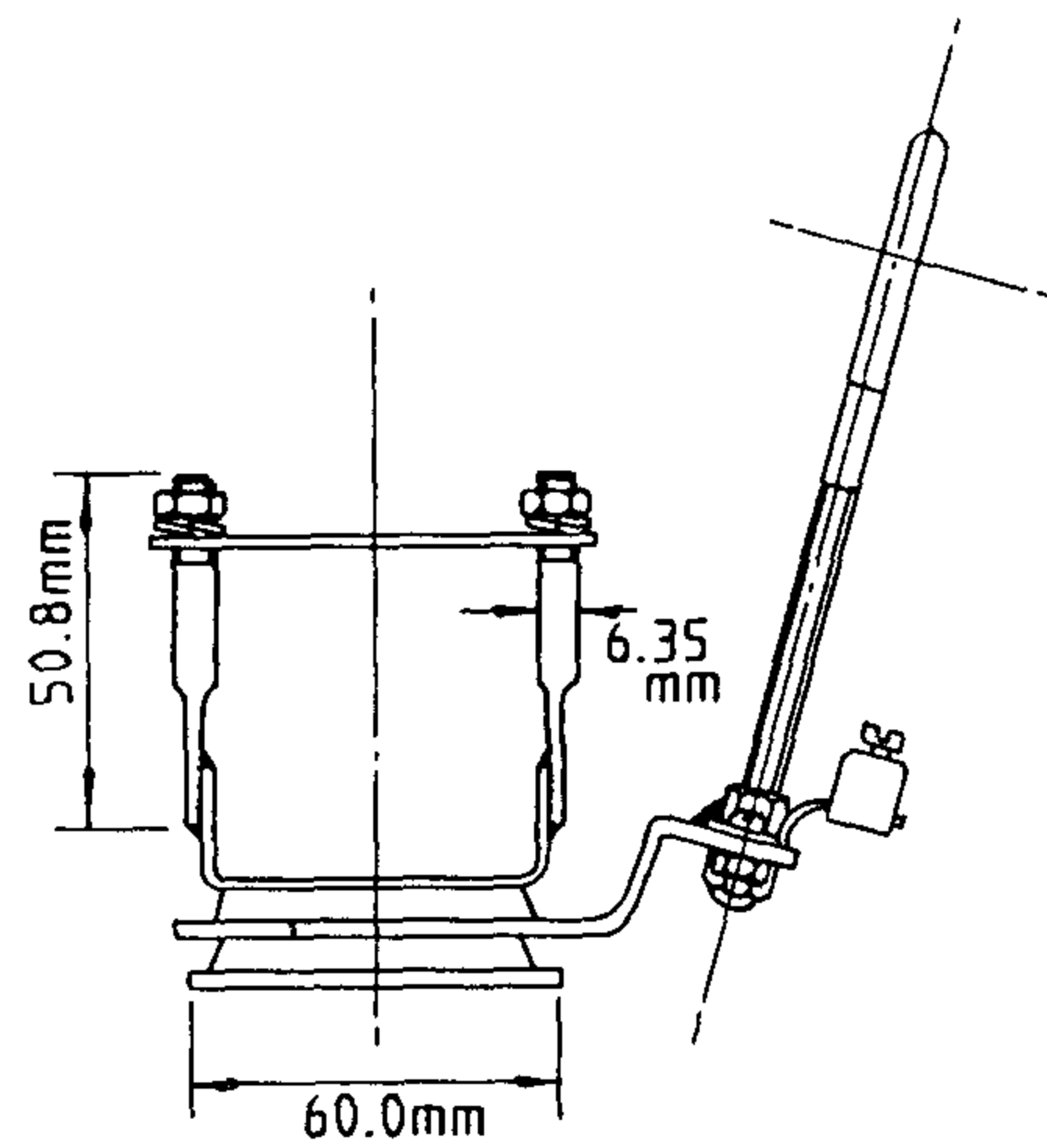
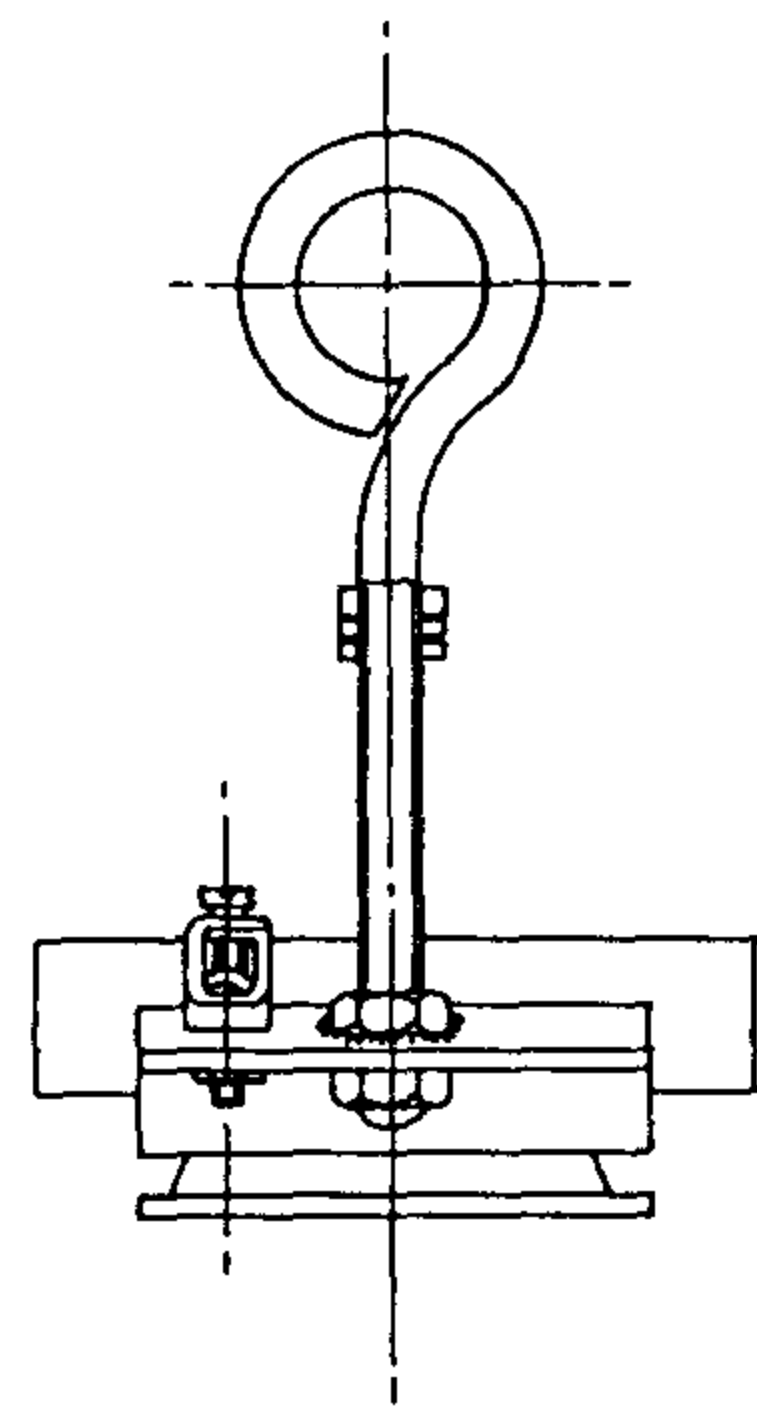


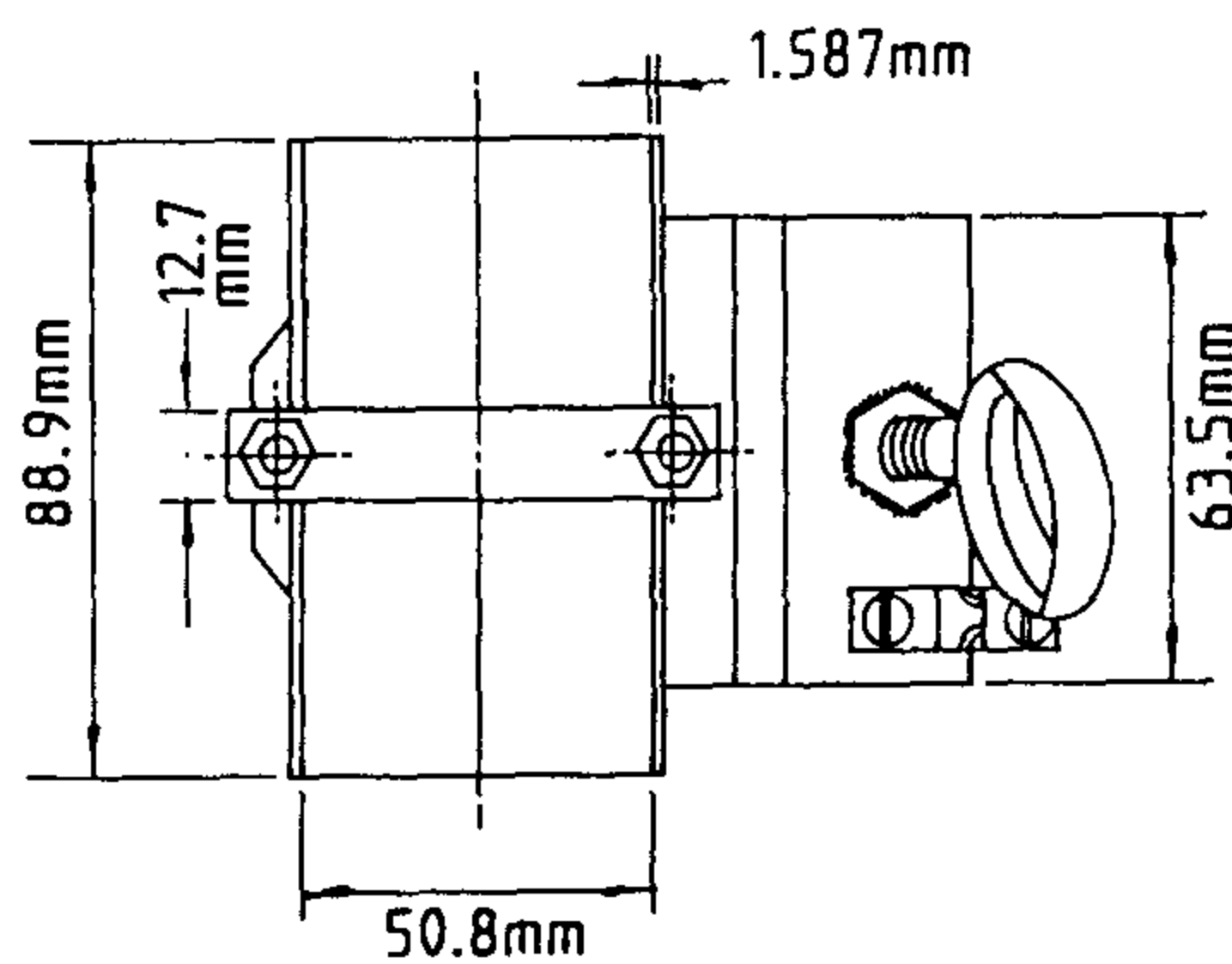
3RD ANGLE — DO NOT SCALE — REPORT ANY ERRORS, OMISSIONS TO DRAFTING OFFICE



ELEVATION



SIDE ELEVATION

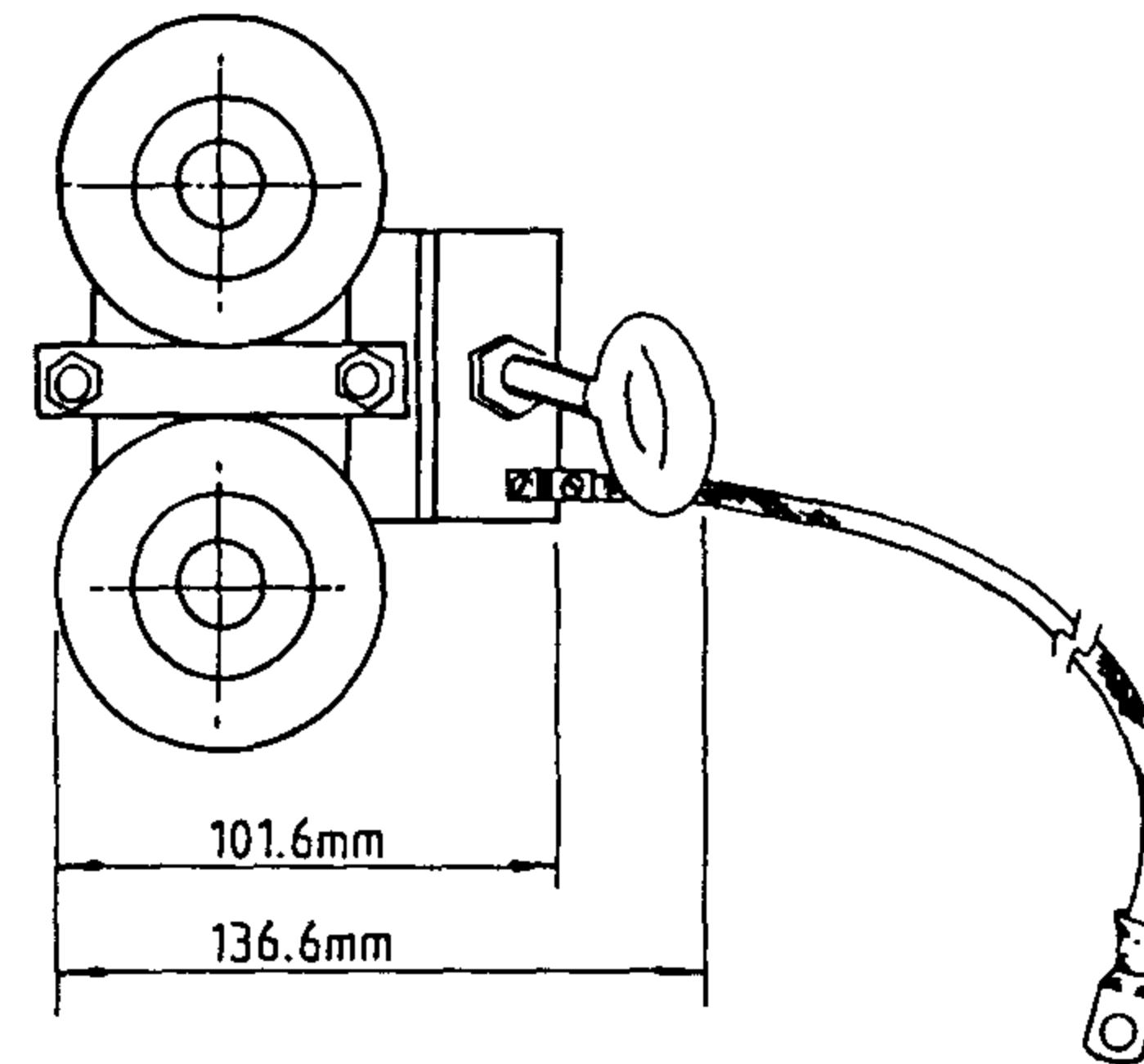


PLAN

LOAD BREAK SYSTEM STANDOFF BRACKET

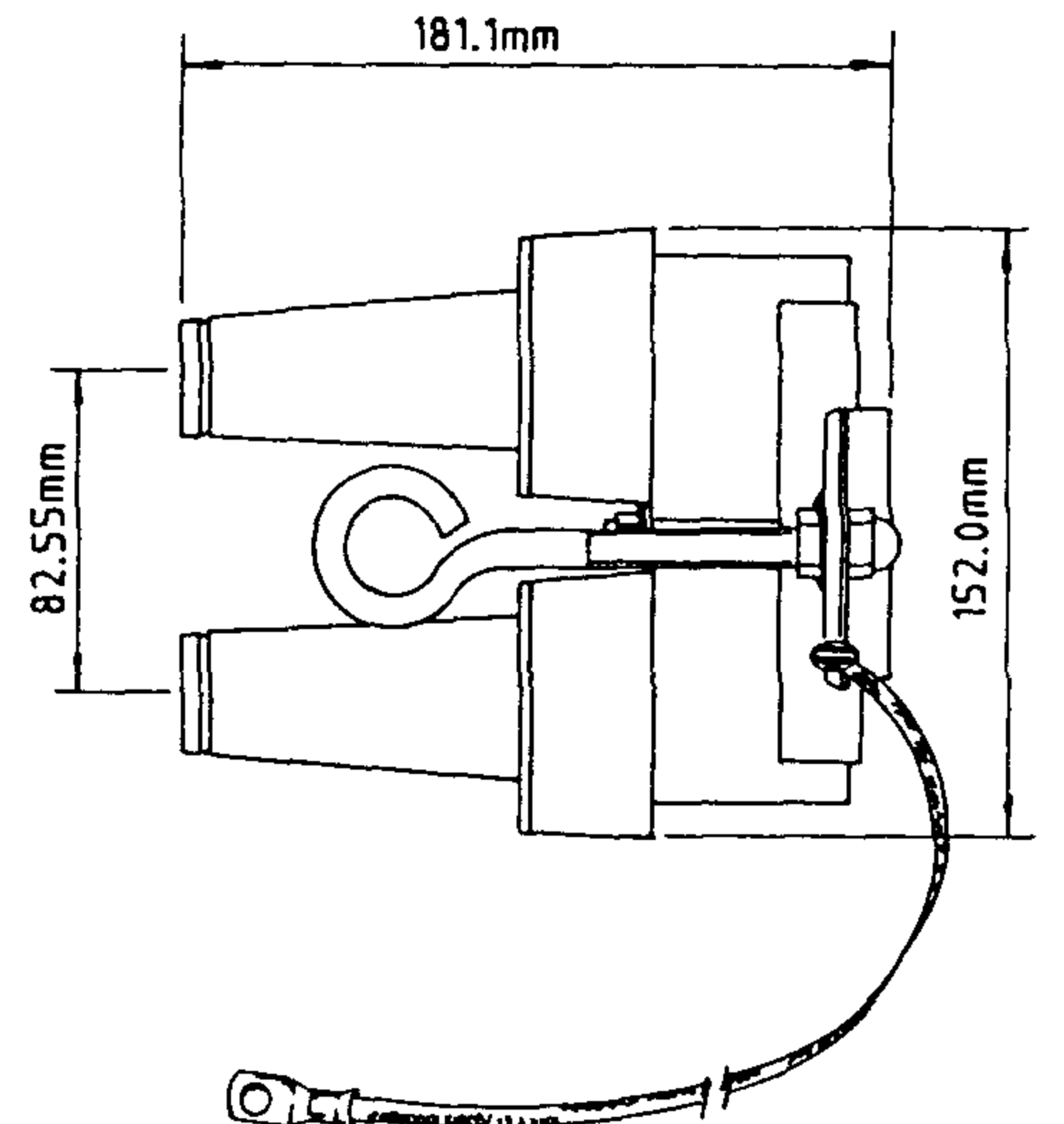
TECHNICAL DATA:
TO FIT PORTABLE FEED THROUGH
R.T.E. CAT. NO. 2602996

MATERIAL:
STAINLESS STEEL



PLAN

TECHNICAL DATA:
U.S.-STANDARD 3-17-1971
SUITABLE FOR TERMINATORS,
STOCK CODES 8235 & 10991



ELEVATION

2.5mm x 762mm long
finned copper braid
with 7/1.35 lug.

MATERIAL:
MOLDED E.P.R./BUTYL
BRACKET - STAINLESS STEEL

LOAD BREAK SYSTEM - FEED THROUGH-DOUBLE - 11KV

				<p>POWER AND WATER AUTHORITY</p> <p>POWER DIRECTORATE</p>	DES R.Haigh	NT STANDARD DRAWING		
					DRN <i>P.V.G.</i>	TITLE FUSES & SWITCHGEAR		
				CKD <i>S. Di. Sney</i>	LOAD BREAK SYSTEM			
				APPD <i>[Signature]</i>	STANDOFF BRACKET			
				ISSUED 4.2.86	DOUBLE FEED THROUGH - 11KV			
				DRAFTING STANDARD TO A.S. 1100	A3	DRAWING NUMBER S2-1-4-6		
				ALL DIM. IN m.m.	SCALE	SHEET	AMDT	
No	AMENDMENT	DATE	INIT					
4	TITLE & Drg NUMBER CHANGED	5/88	<i>[Signature]</i>					
3	STOCK CODE CORRECTED	03-87	<i>[Signature]</i>					
2	TECH. DATA STOCK CODES UPDATED	01.87	<i>[Signature]</i>					
1	REDRAWN & REVISED	1/85	<i>[Signature]</i>					