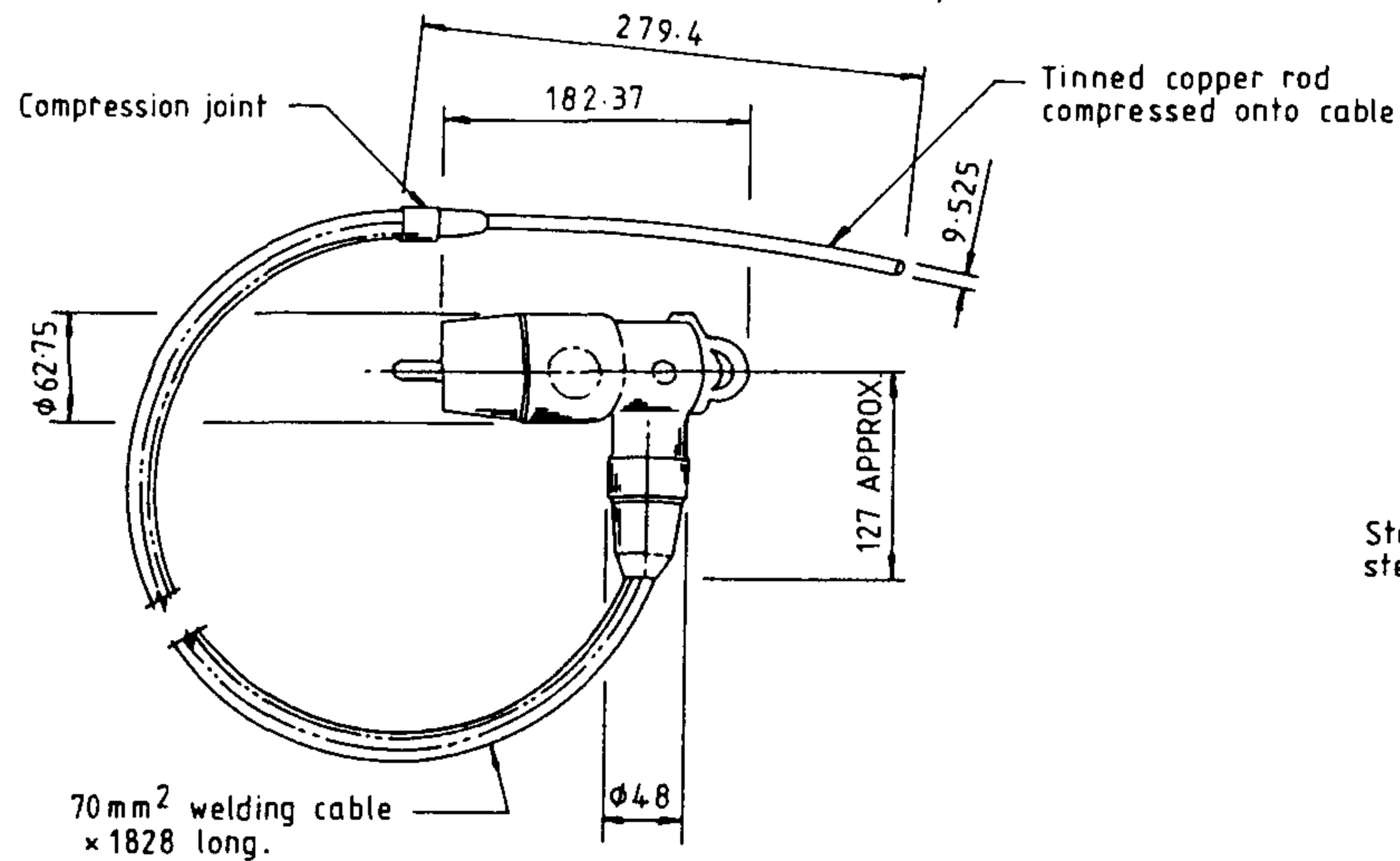
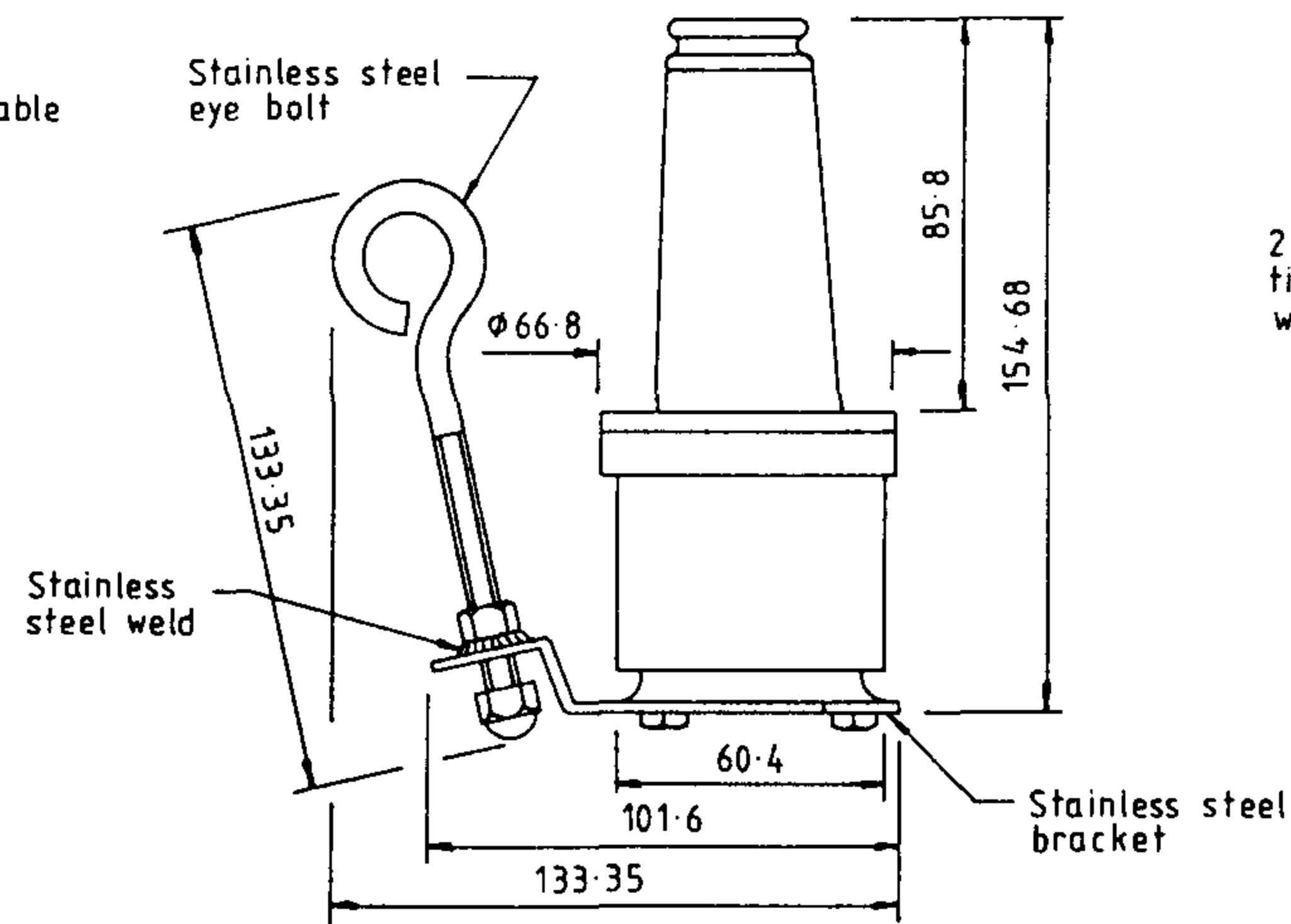


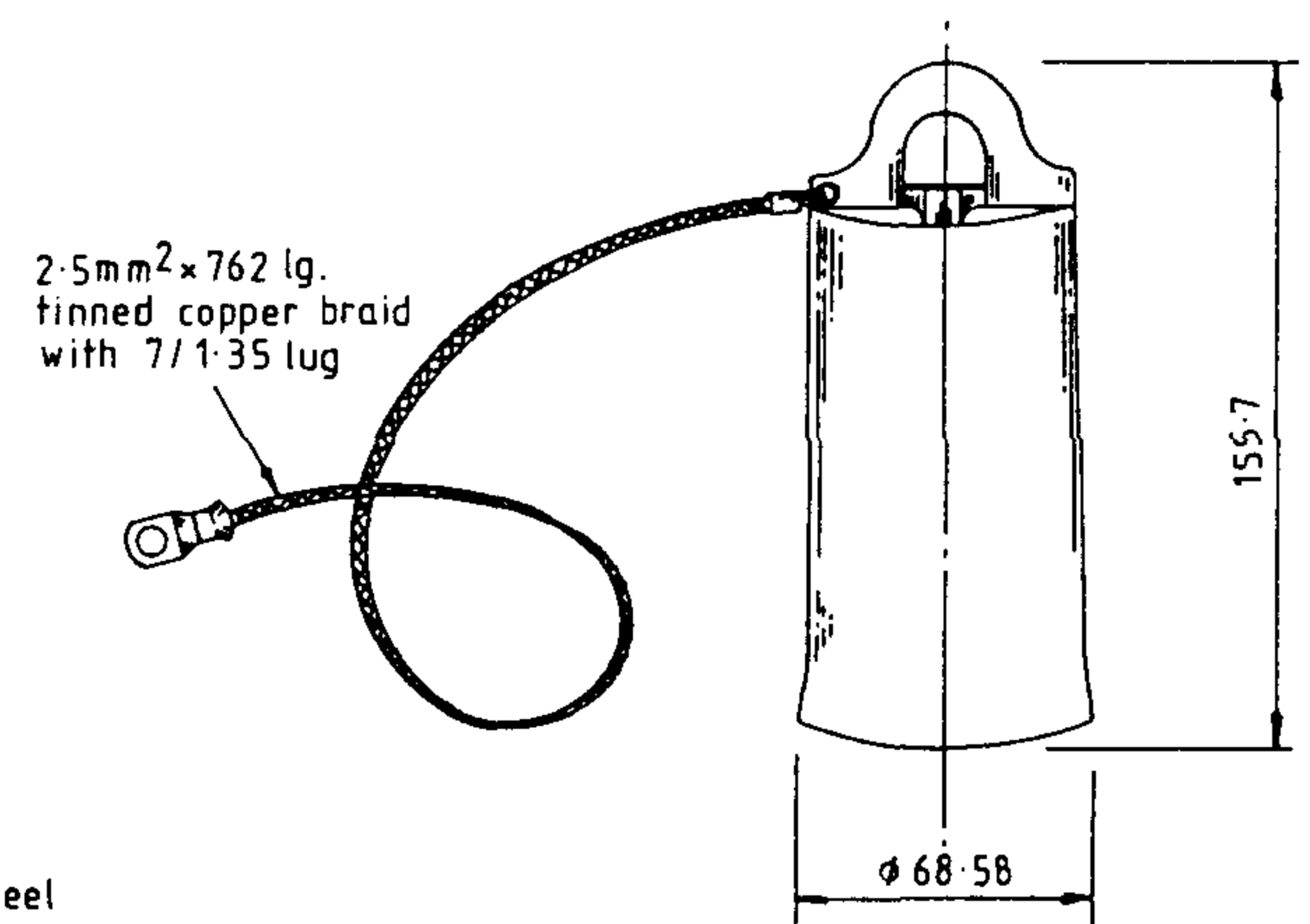
3RD ANGLE — DO NOT SCALE — REPORT ANY ERRORS, OMISSIONS TO DRAFTING OFFICE



GROUNDING ELBOW. 2354
(R.T.E. CAT. N° 2604128 B02)



STANDOFF INSULATOR
(R.T.E. CAT. N° 2625063B01)



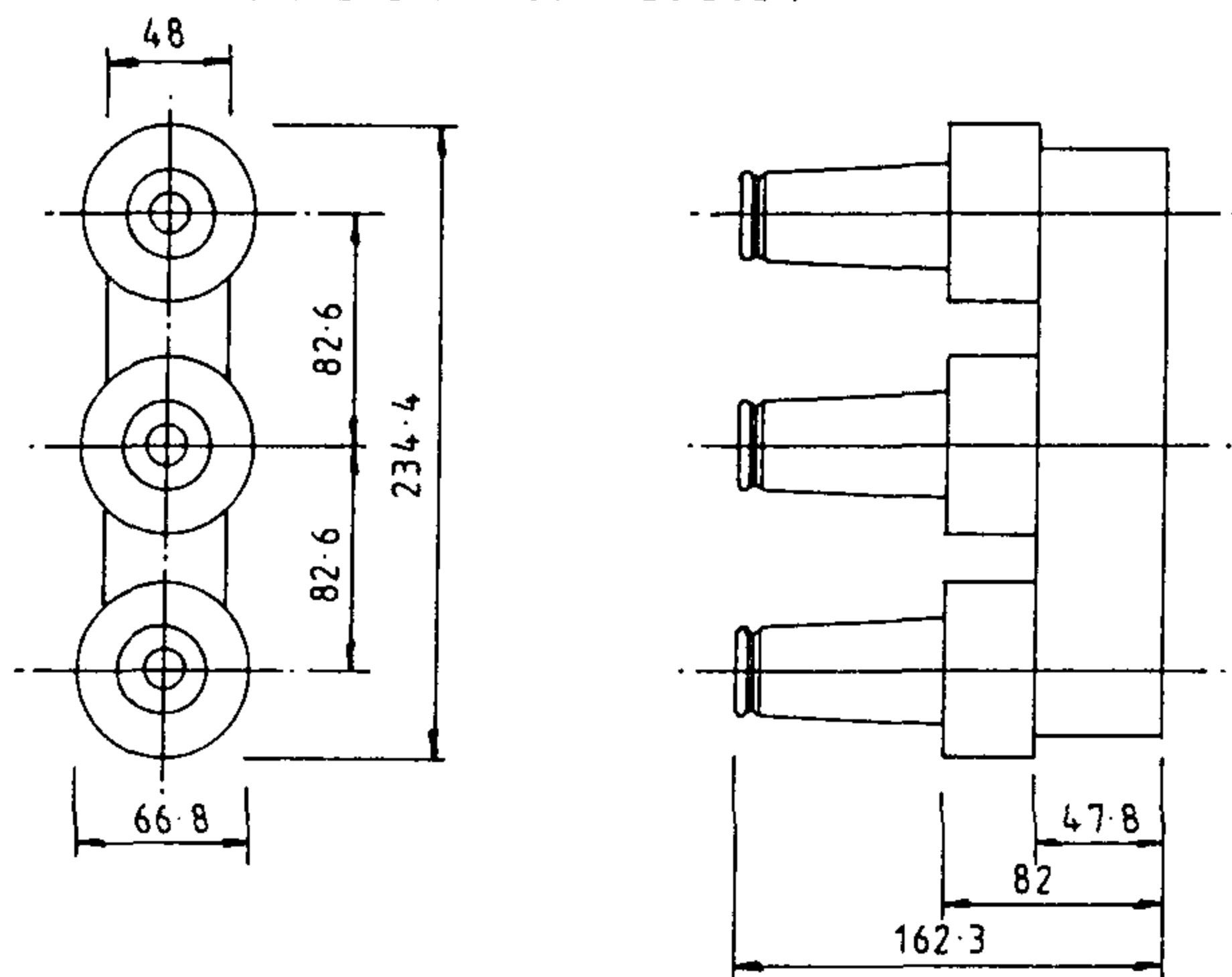
PROTECTIVE CAP
(R.T.E. CAT. N° 2603711A12M)

NOTES :

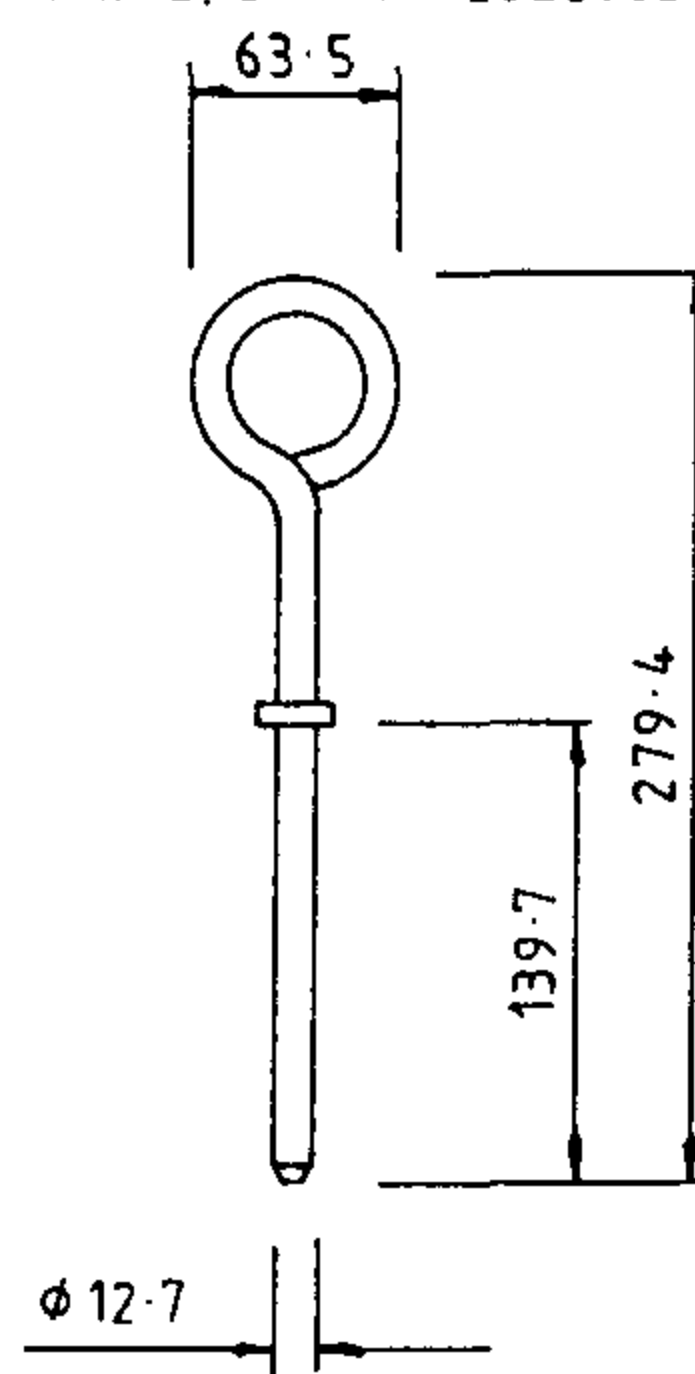
1. ALL ITEMS TO BE IN ACCORDANCE WITH U.S. STANDARD 3-17-1971.

MATERIAL :

BRACKETS - STAINLESS STEEL
FEED THROUGH & CAP-MOULDED E.P.R./ BUTYL
STANDOFF INSULATOR-MOULDED POLYESTER
TEST PROBE - ALUMINIUM
GROUNDING ELBOW - E.P.D.M. RUBBER

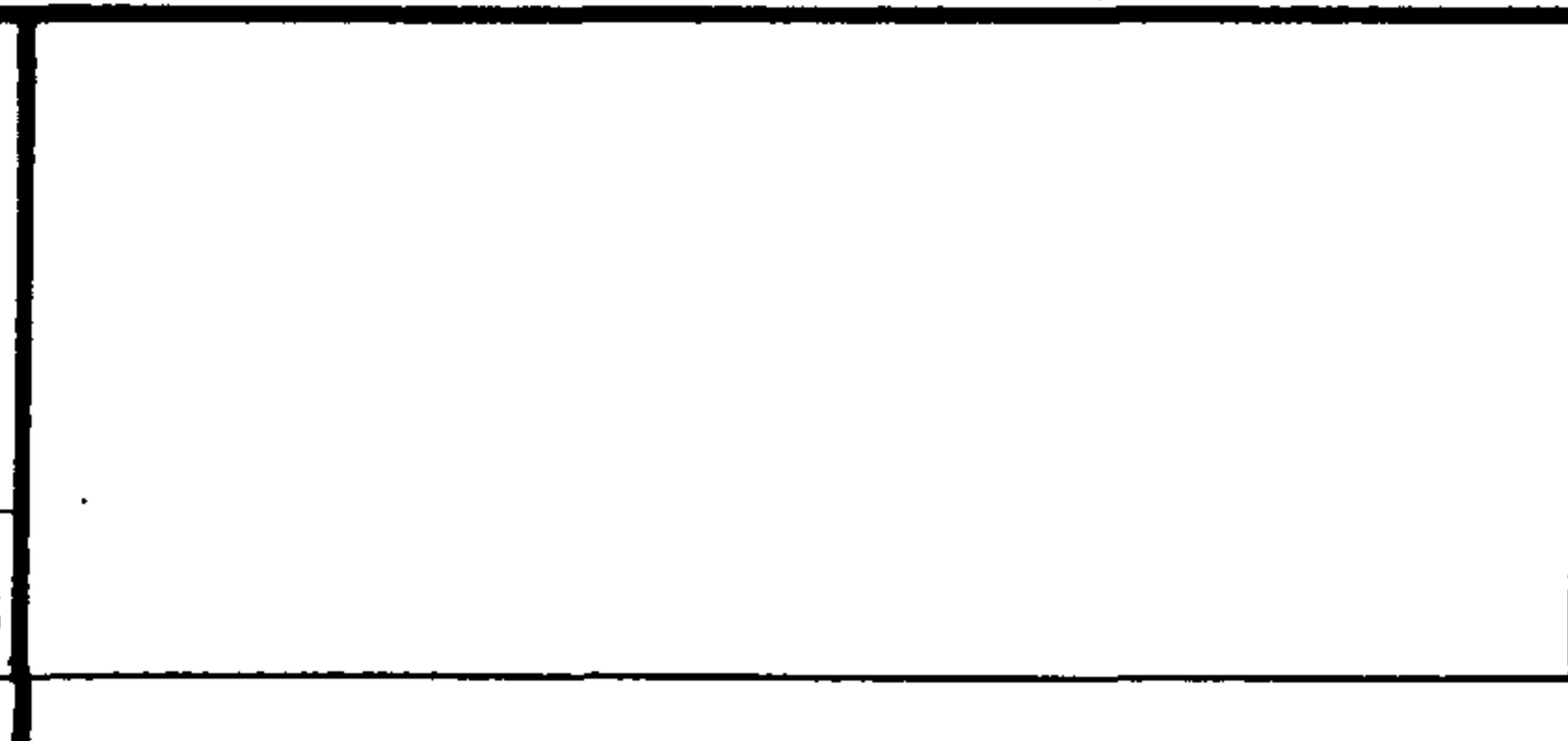


ITEM 1. FEED THROUGH - TRIPLE STOCK CODE 8227
(R.T.E. CAT. N° 2602693B02)



TEST PROBE
(R.T.E. CAT. N° 2606602A01)

No	AMENDMENT	DATE	INIT
3	CAT. N°S CHANGED	12/90	
2	TITLE & Drg NUMBER CHANGED	5/88	QJA
1	ITEM & STOCK CODES ADDED	01.87	RE-1



POWER AND WATER AUTHORITY
POWER DIRECTORATE

DES R. Haigh	NT STANDARD DRAWING	
DRN g.mck	TITLE FUSES & SWITCHGEAR	
CKD <i>Bob Haigh</i>	LOAD BREAK SYSTEM	
APPD <i>W. J. ...</i>	11kV	
ISSUED 4-2-86	A3	DRAWING NUMBER S2-1-4-5
DRAFTING STANDARD TO A.S. 1100	SCALE	SHEET
ALL DIM. IN mm.		3 AMDT