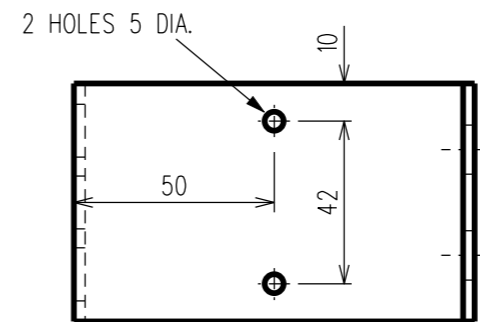
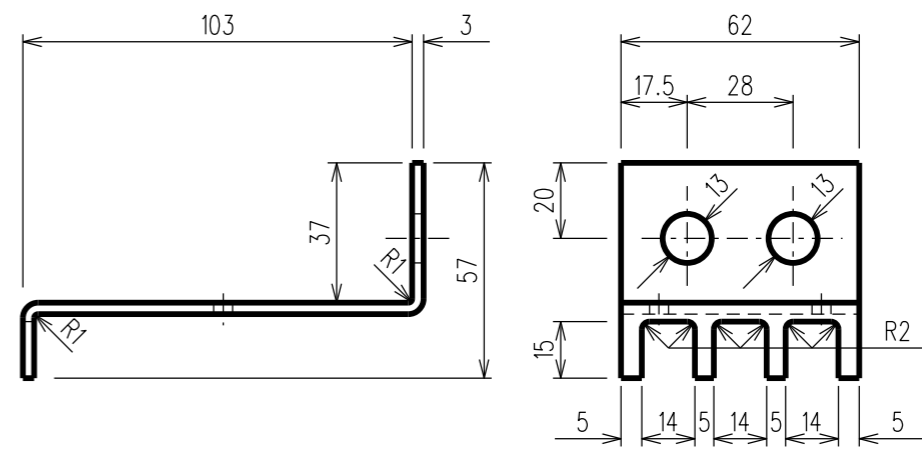


ITEM 1 - INSULATING PANEL

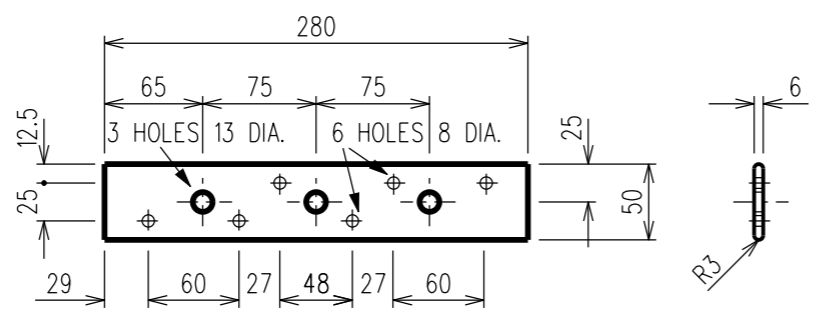
8mm BRAMITE, TYPE 2
TO AS 1795



SCALE 2.5 : 1



ITEM 2 - BUS COMB



ITEM 3 - EARTHING BAR

NOTE:

BRAMITE SUPPLIED BY B&R ENCLOSURES.

ITEM	QTY.	DESCRIPTION	MATERIAL	STOCK CODE
3	1	TINNED COPPER EARTH BAR 50 x 280 x 6	COPPER	
2	1	TINNED COPPER BUS COMB 62 x 106 x 3	COPPER	
1	1	INSULATING PANEL 8mm THICK	BRAMITE	



DES	PWC	POWER STANDARD DRAWING		
DRN	K.IBBOTT	DISTRIBUTION - PILLARS STREET SIDE TYPE GENERAL PILLAR/PANEL COMPONENTS		
CKD	C.CAMILLERI			
APPD	C. CAMILLERI			
SCALE	1 : 5			
ISSUED	AUG'05	A3	DRAWING NUMBER	S02-1-3-13
ALL DIM.	IN mm			
DRAFTING STANDARD TO A.S.1100		CAD PRODUCT - DO NOT AMEND MANUALLY		AMDT

NO	DESCRIPTION	DRN	DATE	CKD	APPD
1	SUPERSEDED	A.T.	DEC'12	B.C.	B.C.
0	ISSUED FOR CONSTRUCTION	K.I.	OCT'05	C.C.	C.C.
AMENDMENTS					