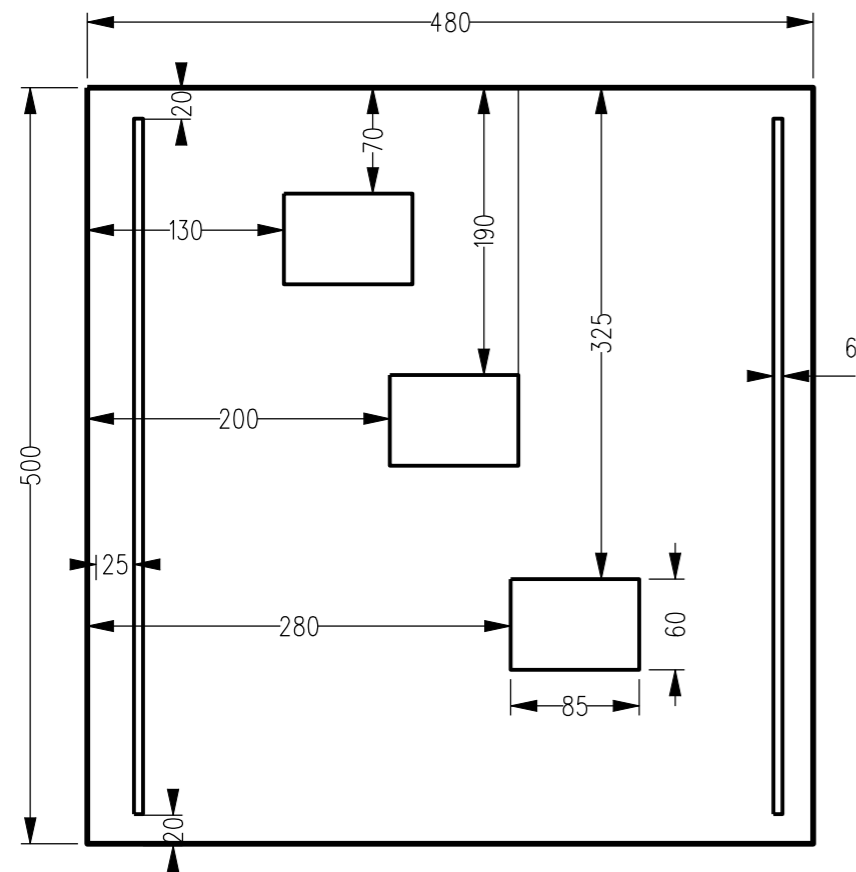
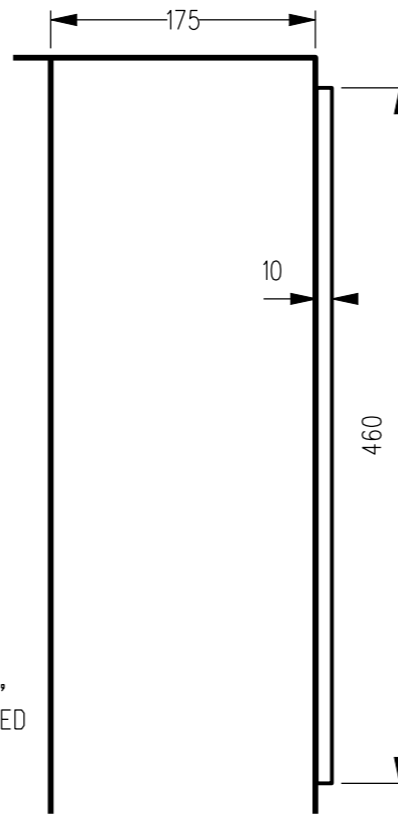


TOP

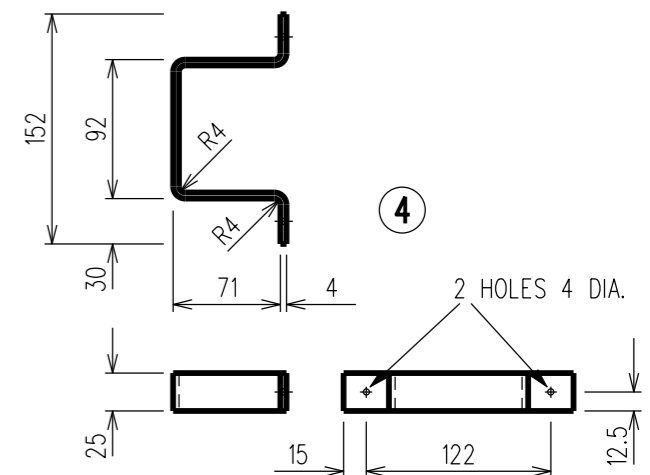
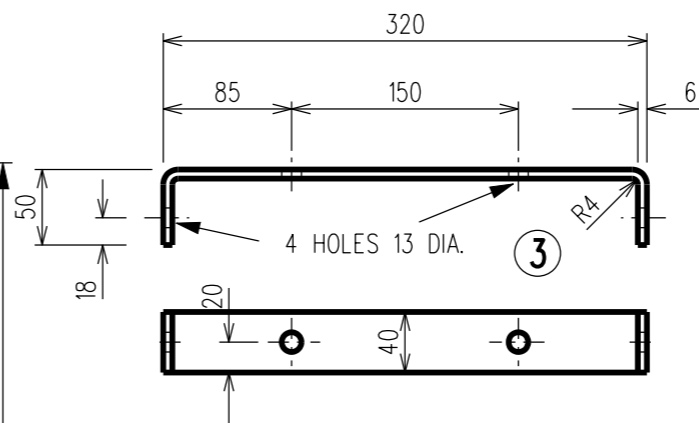
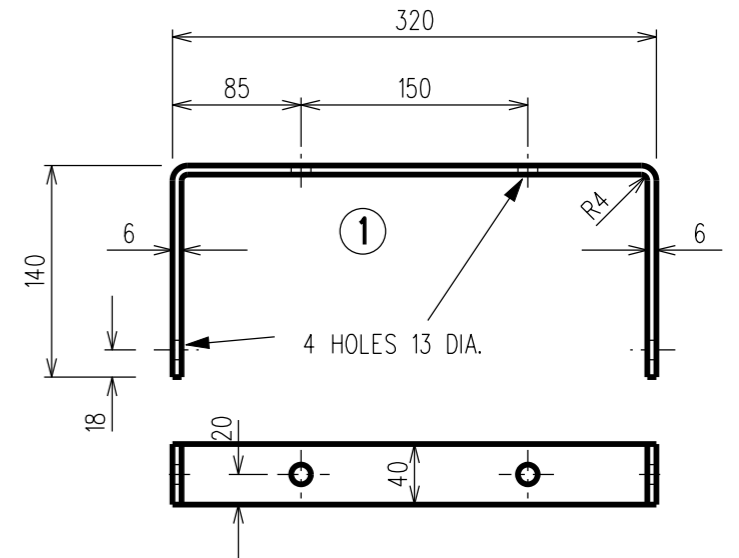
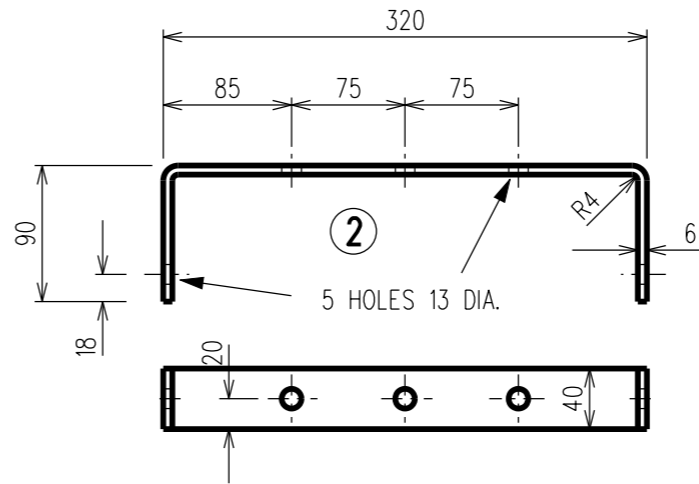
5



FRONT



SIDE



DESIGN NOTE:  
RAILS ARE TO PREVENT TURRET COVER HITTING  
CB SWITCHES WHEN COVERING PILLAR

ITEM	QTY.	DESCRIPTION	MATERIAL	STOCK CODE
5	1	INTERNAL INSULATED COVER 3mm THICK	CLEAR PERSPEX	
4	3	CIRCUIT BREAKER SUPPORT BRACKET	ALUMINIUM	
3	1	BUSBAR 50 x 320 (BLUE)	COPPER	
2	1	BUSBAR 90 x 320 (WHITE)	COPPER	
1	1	BUSBAR 140 x 320 (RED)	COPPER	

NO	DESCRIPTION	DRN	DATE	CKD	APPD
1	SUPERSEDED	A.T.	DEC'12	B.C.	B.C.
0	ISSUED FOR CONSTRUCTION	K.I.	OCT'05	C.C.	C.C.
AMENDMENTS					

**PowerWater**

DES PAWC  
DRN A. SCHMID  
CKD R. CLEOPAS  
APPD C. PEMBERTON  
SCALE 1 : 5  
ISSUED APRIL '04  
ALL DIM. IN mm  
DRAFTING STANDARD TO A.S.1100

POWER STANDARD DRAWING  
**DISTRIBUTION - PILLARS**  
**STREET SIDE TYPE**  
**SERVICE PILLAR/PANEL COMPONENTS**

A3 DRAWING NUMBER S02-1-3-12

1 AMDT  
CAD PRODUCT - DO NOT AMEND MANUALLY