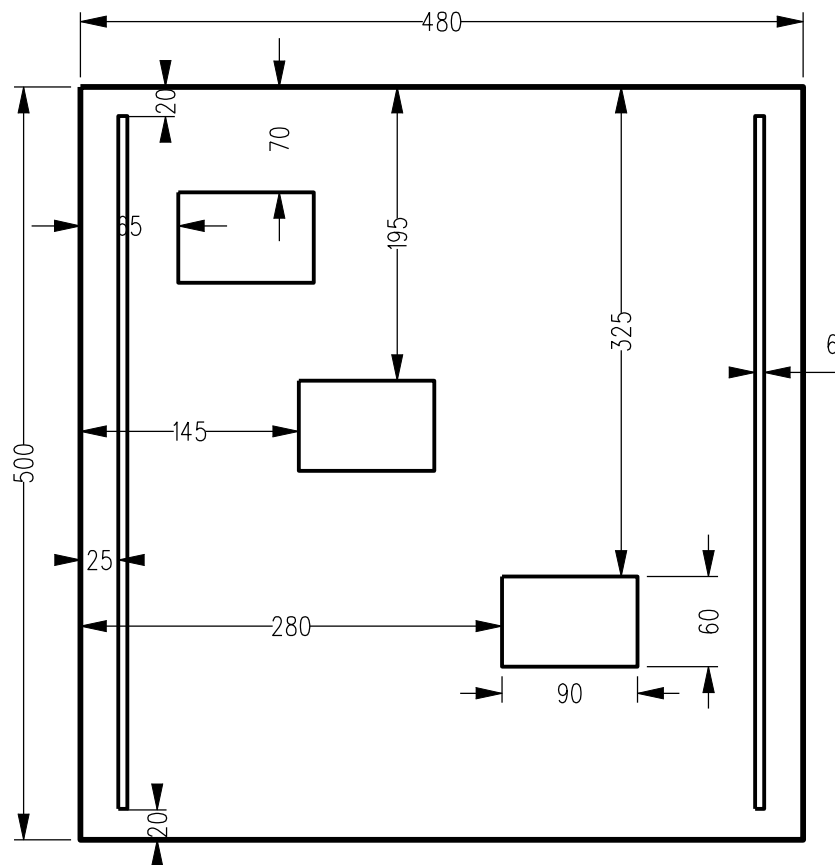
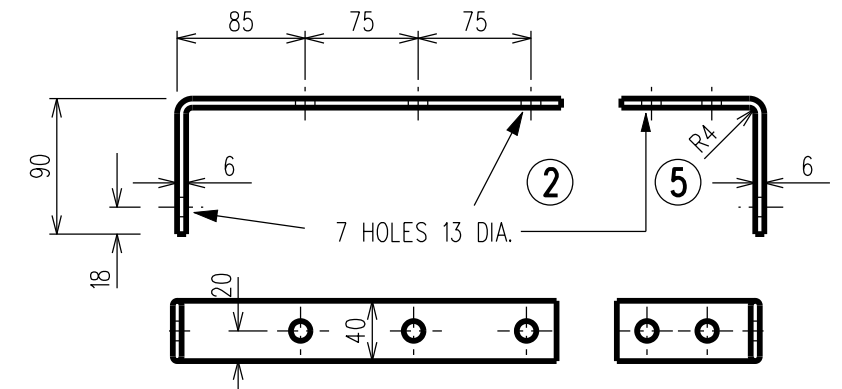
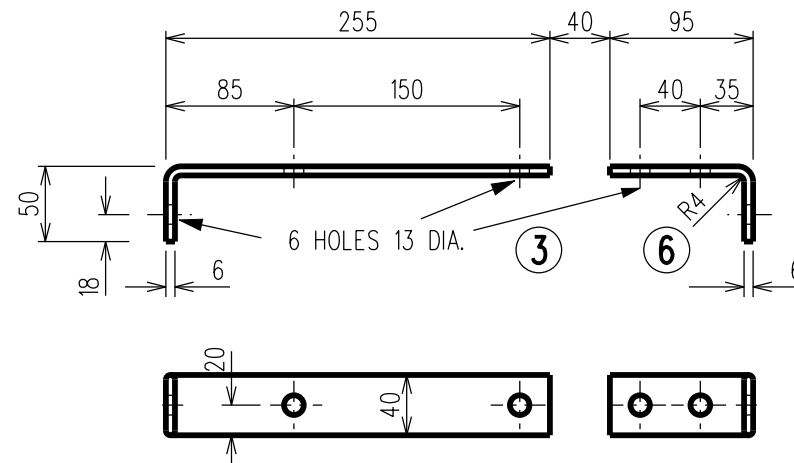


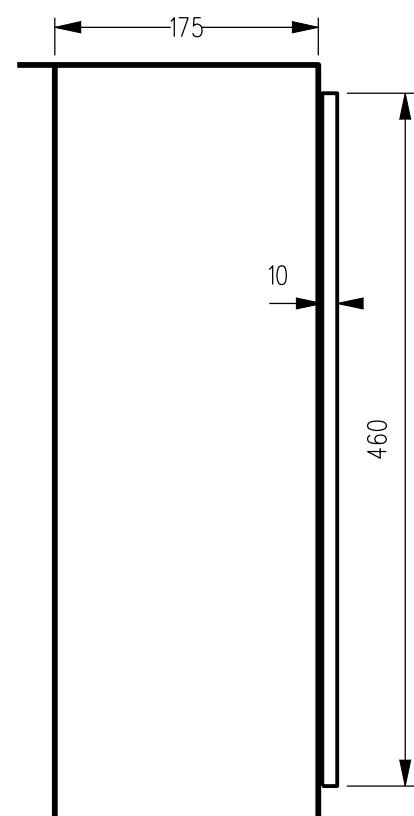
TOP

8

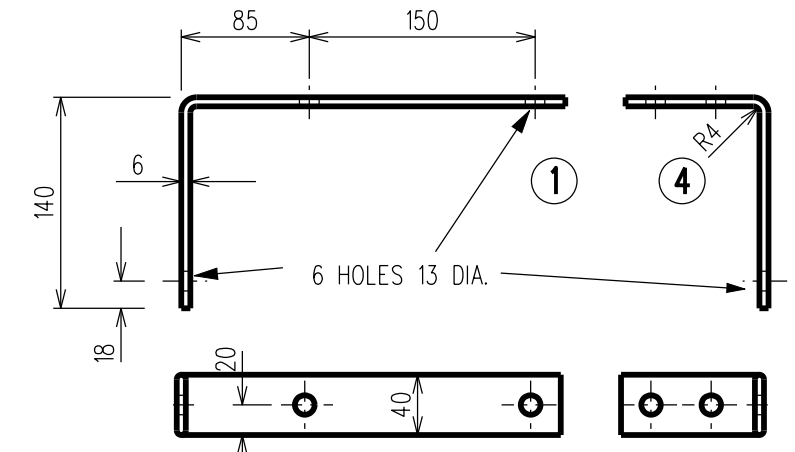
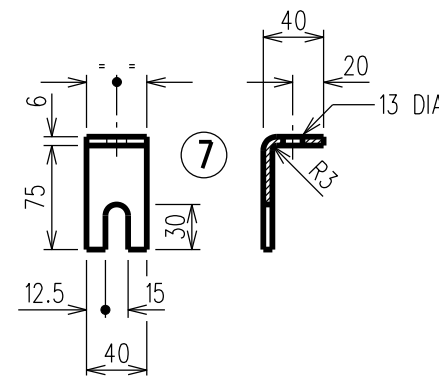


FRONT

CLEAR PVC,
HEAT WELDED



SIDE



DESIGN NOTE:
RAILS ARE TO PREVENT TURRET COVER HITTING
CB SWITCHES WHEN COVERING PILLAR

8	1	INTERNAL INSULATED COVER 3mm THICK	CLEAR PERSPEX
7	6	BUSBAR 40 x 75 x 5 THICK	TINNED COPPER
6	1	BUSBAR 50 x 90 x 6.5 THICK (BLUE)	COPPER
5	1	BUSBAR 90 x 90 x 6.5 THICK (WHITE)	COPPER
4	1	BUSBAR 140 x 90 x 6.5 THICK (RED)	COPPER
3	1	BUSBAR 50 x 255 x 6.5 THICK (BLUE)	COPPER
2	1	BUSBAR 90 x 255 x 6.5 THICK (WHITE)	COPPER
1	1	BUSBAR 140 x 255 x 6.5 THICK (RED)	COPPER

ITEM	QTY.	DESCRIPTION	MATERIAL	STOCK CODE
------	------	-------------	----------	------------

NO	DESCRIPTION	DRN	DATE	CKD	APPD
1	SUPERSEDED	A.T.	DEC'12	B.C.	B.C.
0	ISSUED FOR CONSTRUCTION	K.I.	OCT'05	C.C.	C.C.
AMENDMENTS					



DES	PAWC	POWER STANDARD DRAWING		
DRN	A. SCHMID	DISTRIBUTION - PILLARS STREET SIDE TYPE LINK PILLAR/PANEL COMPONENTS		
CKD	R. CLEOPAS			
APPD	C. CAMILLERI			
SCALE	1 : 5			
ISSUED	DEC'04	A3	DRAWING NUMBER	S02-1-3-11
ALL DIM.	IN mm			
DRAFTING STANDARD TO A.S.1100		CAD PRODUCT - DO NOT AMEND MANUALLY		 AMDT