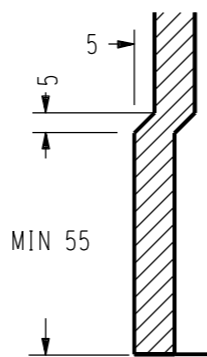
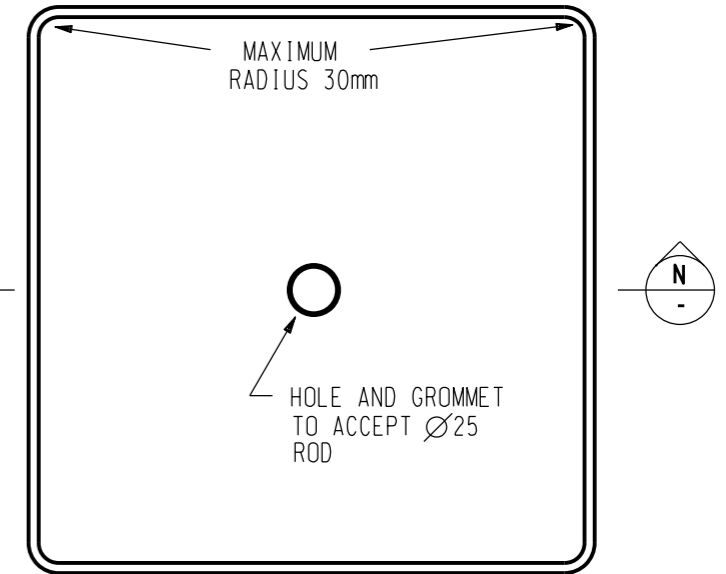


**DETAIL L**



**DETAIL M**



**PLAN**

**NOTES :**

1. COVER-FORMED OR MOULDED RESIN PIGMENTED Nº 388 TO AS 2700 - 1985.
2. BOTTOM SKIRT OF COVER TO BE LOOSE FIT OVER FRAME 'H' TO FACILITATE EASE OF REMOVAL. 5mm CLEARANCE ALL AROUND, REFER TO DRAWING S2-1-3-3.
3. ADHERE DANGER SIGN TO COVER USING INDUSTRIAL ARALDITE (STOCK CODE 108456). SURFACES TO BE SCOURED BEFORE APPLYING THE ADHESIVE.
4. COMPLETE ITEM (ITEM 1) CONSISTS OF FIBREGLASS COVER PLUS ALL STEELWORK AS DETAILED ON DRG'S S2-1-3-2 AND S2-1-3-3.

4	1	SIGN 'DANGER - ELECTRICITY'	-	S02-1-8-3
3	1	SIGN PILLAR	-	S02-1-8-30
2	1	FIBREGLASS COVER (SPARES ONLY)	31138	-
1	1	COMPLETE ITEM (SEE NOTE 4)	11031	-
ITEM	QTY.	DESCRIPTION	STOCK CODE	DRAWING No.

NO	DESCRIPTION	DRN	DATE	CKD	APPD
5	SUPERCEDED BY S02-2-3-08	J.C.	NOV'10	A.T.	SC
4	IEMS 3 & 4 ADDED. TITLE CHANGED	AS	AUG'06	RS	SC
3	REDRAWN ON CAD.	JAL	MAY'95	SCM	PJD
AMENDMENTS					

**PowerWater**

DES	J. HASSANEN	POWER STANDARD DRAWING		
DRN	R. HAIGH	DISTRIBUTION PILLARS		
CKD	G. Mc SHANAGHAN	FUSED CABLE ENTRY		
APPD	I. CUK	COVERS, SIGNS AND GENERAL DETAILS		
SCALE	N.T.S.	A3	DRAWING NUMBER	S02-1-3-6
ISSUED	06/08/86			
ALL DIM.	IN mm	DRAFTING STANDARD TO A.S.1100		
CAD PRODUCT - DO NOT AMEND MANUALLY				AMDT