

NEUTRAL BUSBAR KIT (SEE NOTE 5)

C/W 8xM16 BOLT ASSEMBLIES AND SPACER WASHERS
ITEM NUMBER 504228

WEDGE LINKS, TINNED COPPER
WITH BRASS LOCKING SCREWS
ALM TYPE WL400 OR SIMILAR
STOCK CODE 10892

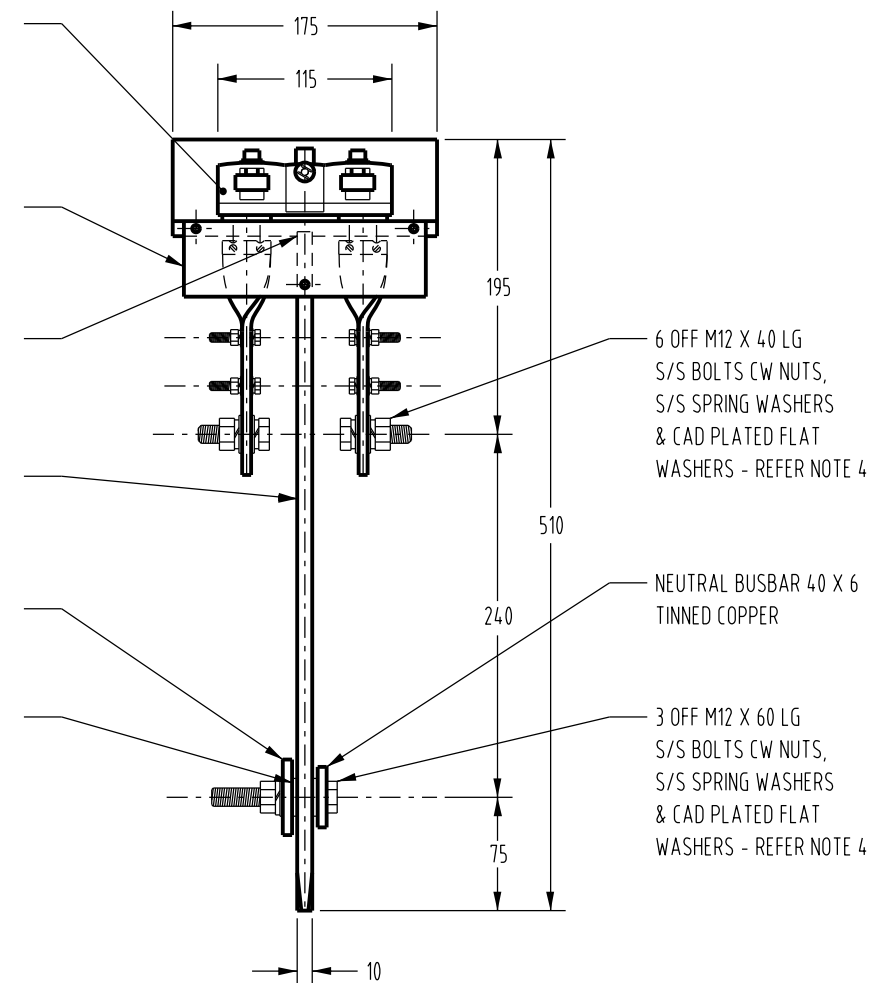
2 OFF 5mm BRAMITE BRACE PLATE
EACH FIXED TO TOP PLATE &
CHASSIS WITH 3 C/SINK SCREWS

REBATED JOINT USING EPOXY
TYPE HARD SETTING ADHESIVE
SECURED WITH SELF TAPPING SCREWS

CHASSIS: INSULATING
PANEL - BRAMITE

NEUTRAL BUSBAR 50 X 6mm
TINNED COPPER

DRILL 25DIA HOLE THRU
CENTRE PHASE OF PANEL
TO ACCEPT TINNED COPPER
CYLINDRICAL SPACER 1 OFF
25 OD X 14 ID X 1LG



LINK PANEL DISTRIBUTION

ITEM NUMBER 3491

NOTES:

1. PANEL WITH LINKS.
2. BI METAL LUGS TO BE USED FOR TERMINATING ALUMINIUM CABLES.
3. FOR DETAILS PF PANEL INSTALLATION REFER DRAWING NO S02-2-3-03.DGN.
4. FLAT WASHERS TO BE CAD PLATED STEEL, EXTRA LARGE AS PER AS 1237 TABLE 1.
5. NEUTRAL BUSBAR SHALL BE USED FOR REPLACING NEUTRAL BUSBAR ON MAINS SIDE TO PROVIDE ADDITIONAL NEUTRAL CONNECTIONS

DRG NO	DESCRIPTION	NO	DESCRIPTION	DRN	DATE	CKD	APPD
		12	ISSUED FOR CONSTRUCTION	C.C.	OCT'18	B.V.	B.V.
		11	BAKELITE CHANGED TO BRAMITE, SC ADDED FOR LINKS	RGI	FEN'05	C.C.	C.C.
		10	MAINS BOLTS REDUCED TO 40 LONG, DIMENSIONS 265 & 170 NOW 240 & 195, & RGI APR'01 J.G. FRR 5mm BAKELITE BRACE PLATES ADDED	x	APR'01	J.G.	FRR
		9	CENTRE PHASE SPACER NOW TINNED COPPER	x	JUL'93	x	CMCK
		8	TITLE AND DRG NO CHANGED.	x	MAY'88	x	QLT
x	x						
DRG NO	DESCRIPTION	NO	DESCRIPTION	DRN	DATE	CKD	APPD
	ASSOCIATED DRAWINGS		AMENDMENTS				

PowerWater

NORTHERN TERRITORY

POWER STANDARD DRAWING			
DES	J.HASSANEN		
DRN	R.HAIGH	DISTRIBUTION PILLARS	
CKD	G.McSHANAG	RESIDENTIAL TYPE	
APPD	PANEL - LINK	
SCALE	FEBRUARY 1986		
ISSUED	NOT TO SCALE	A3	DRAWING NUMBER S02-1-3-04
ALL DIM. IN mm			
DRAFTING STANDARD TO A.S.1100		CAD PRODUCT - DO NOT AMEND MANUALLY	