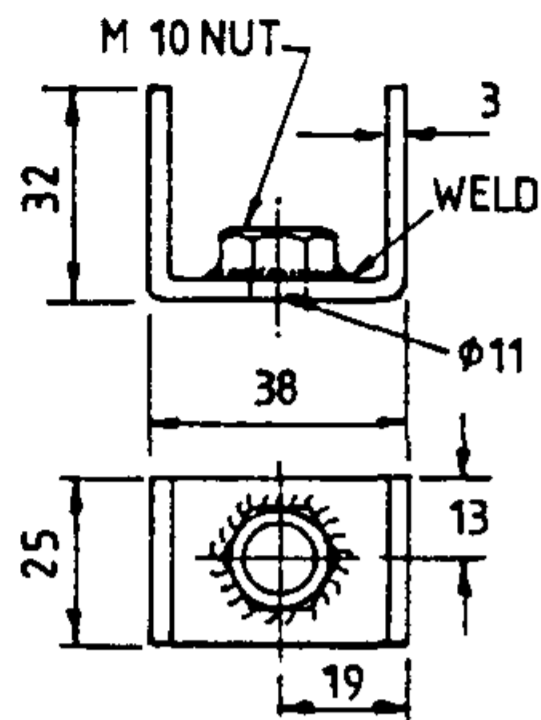
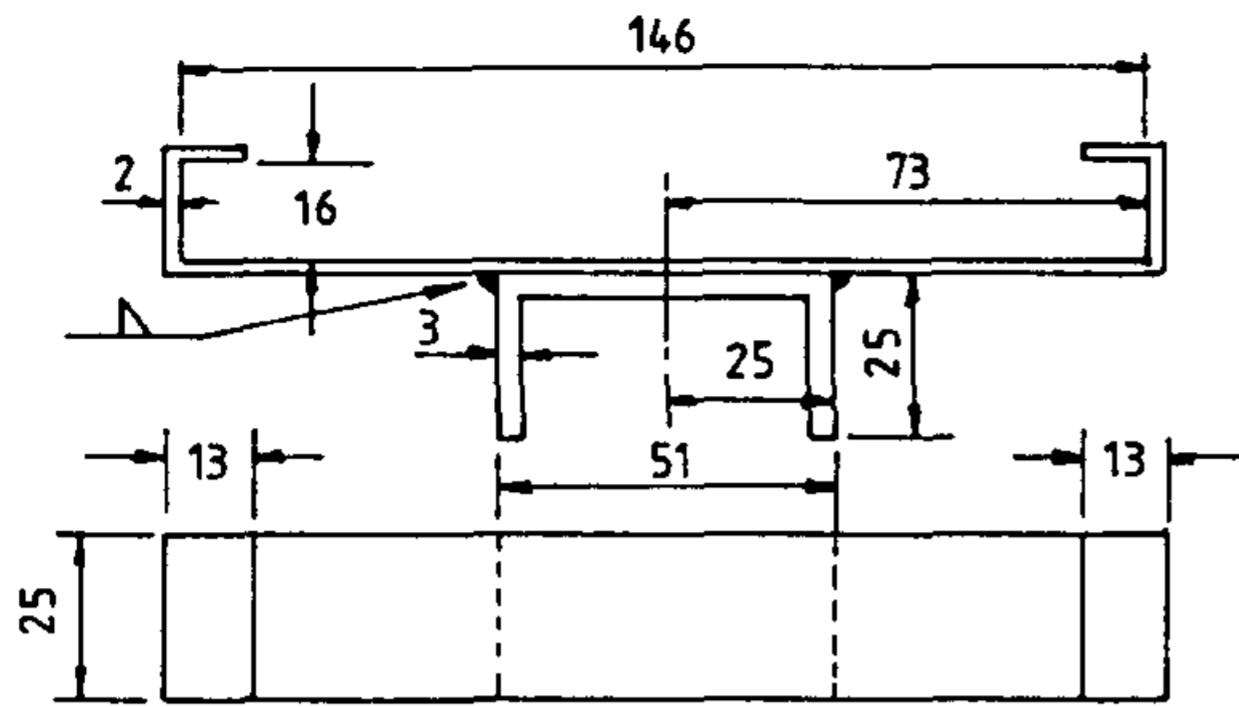


3RD ANGLE — DO NOT SCALE — REPORT ANY ERRORS, OMISSIONS TO DRAFTING OFFICE

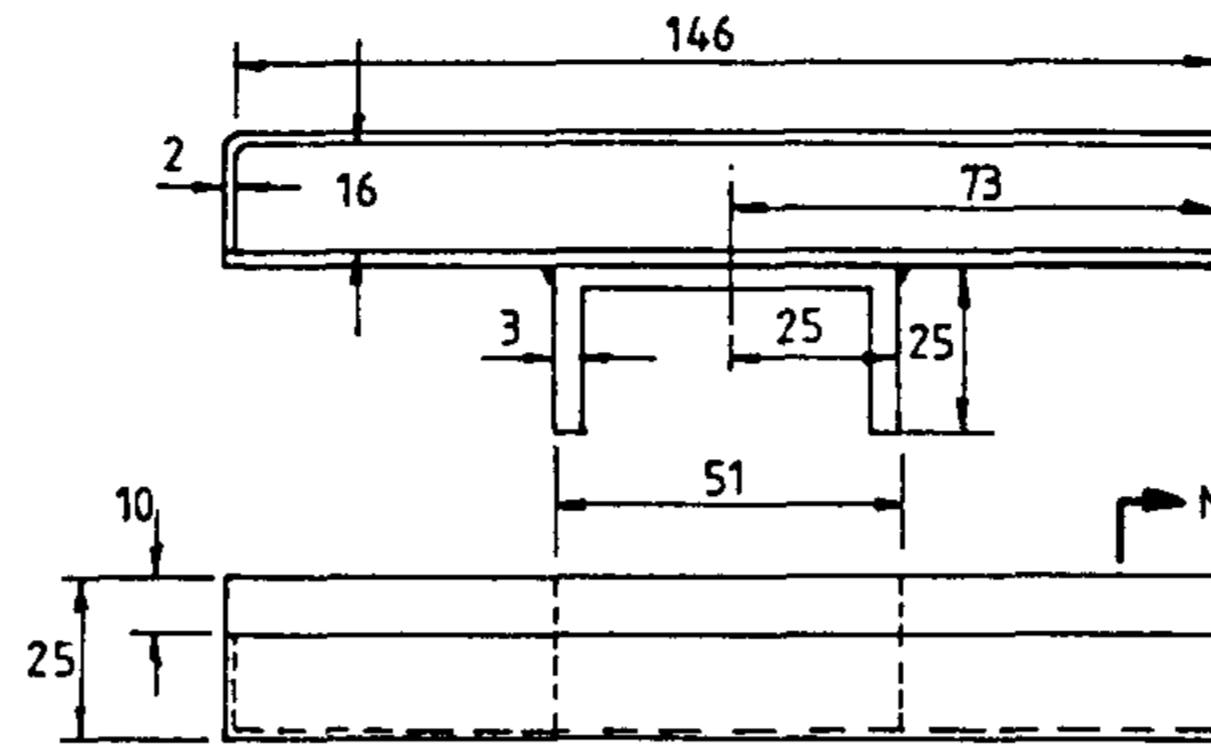


BRACKET 'A'
(16 OFF)



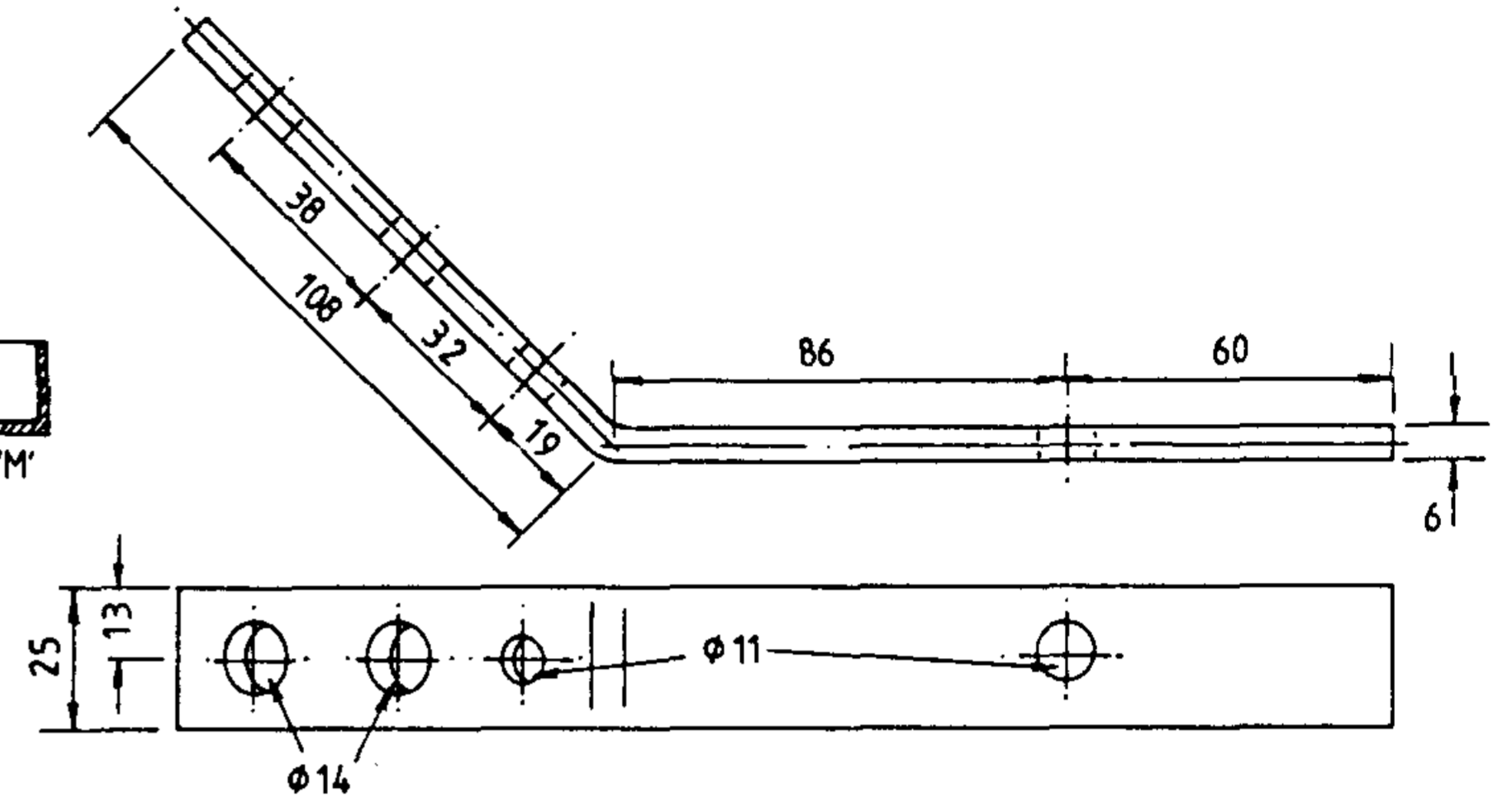
BRACKET 'B'
(1 OFF)

MATERIAL—MILD STEEL ZINCALUM

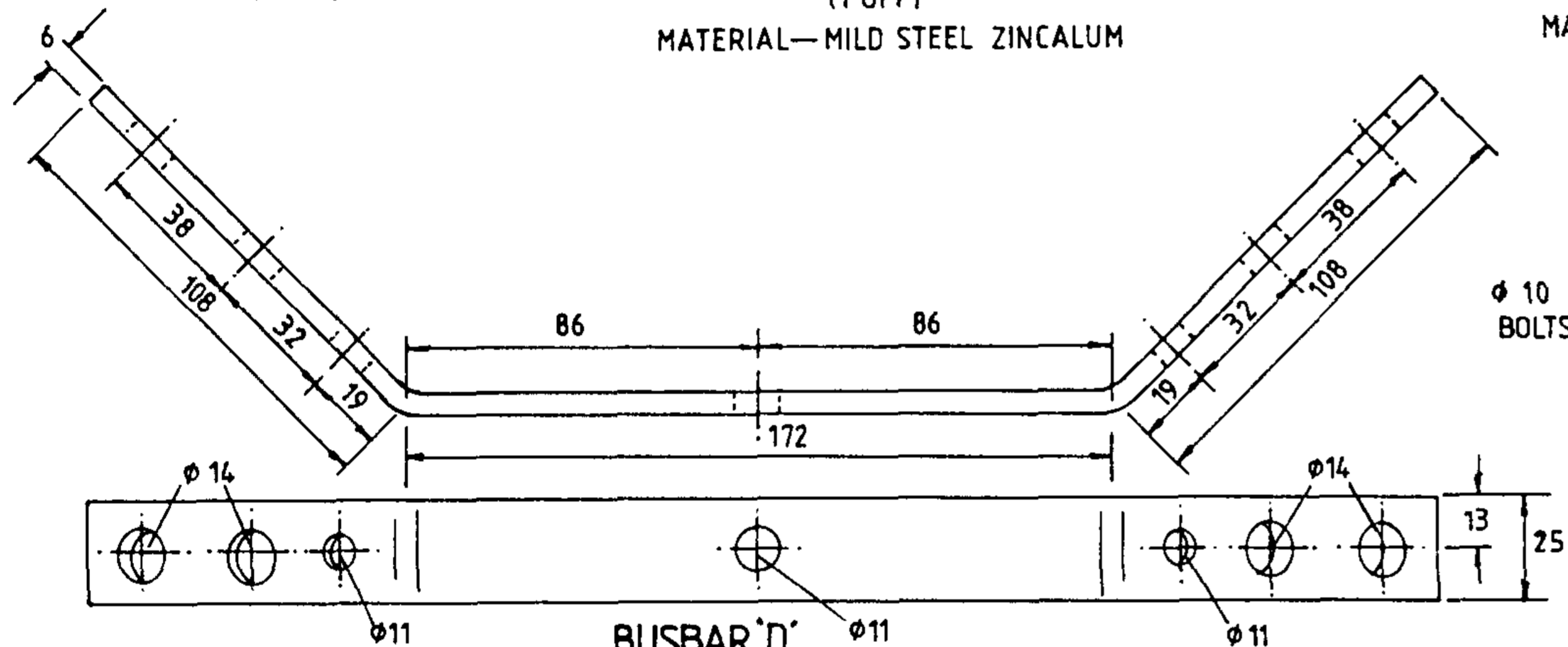


BRACKET 'C'
(1 OFF)

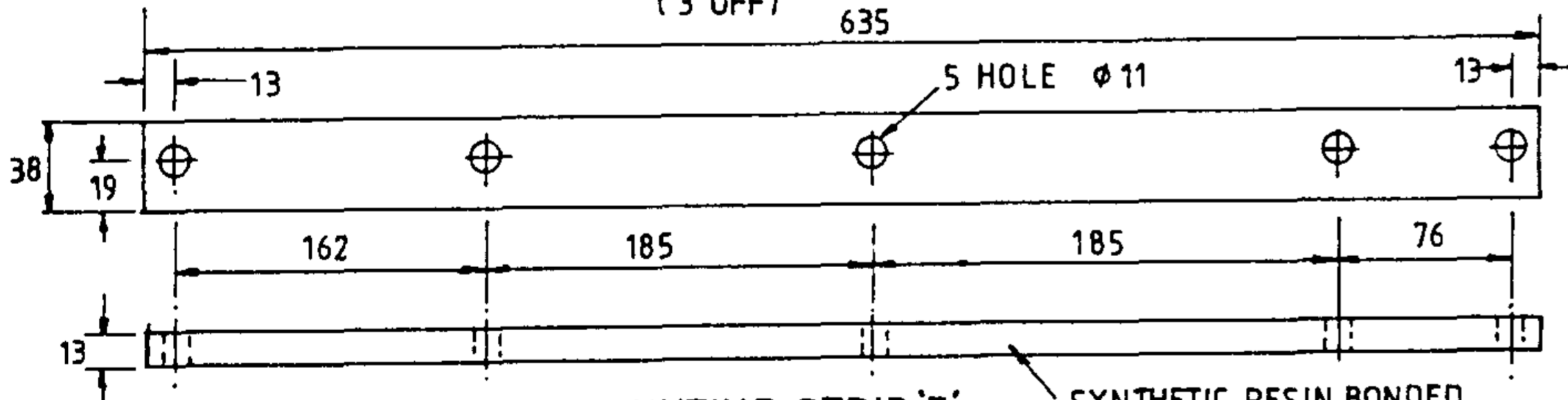
MATERIAL—MILD STEEL ZINCALUM



BUSBAR 'G'
(6 OFF)

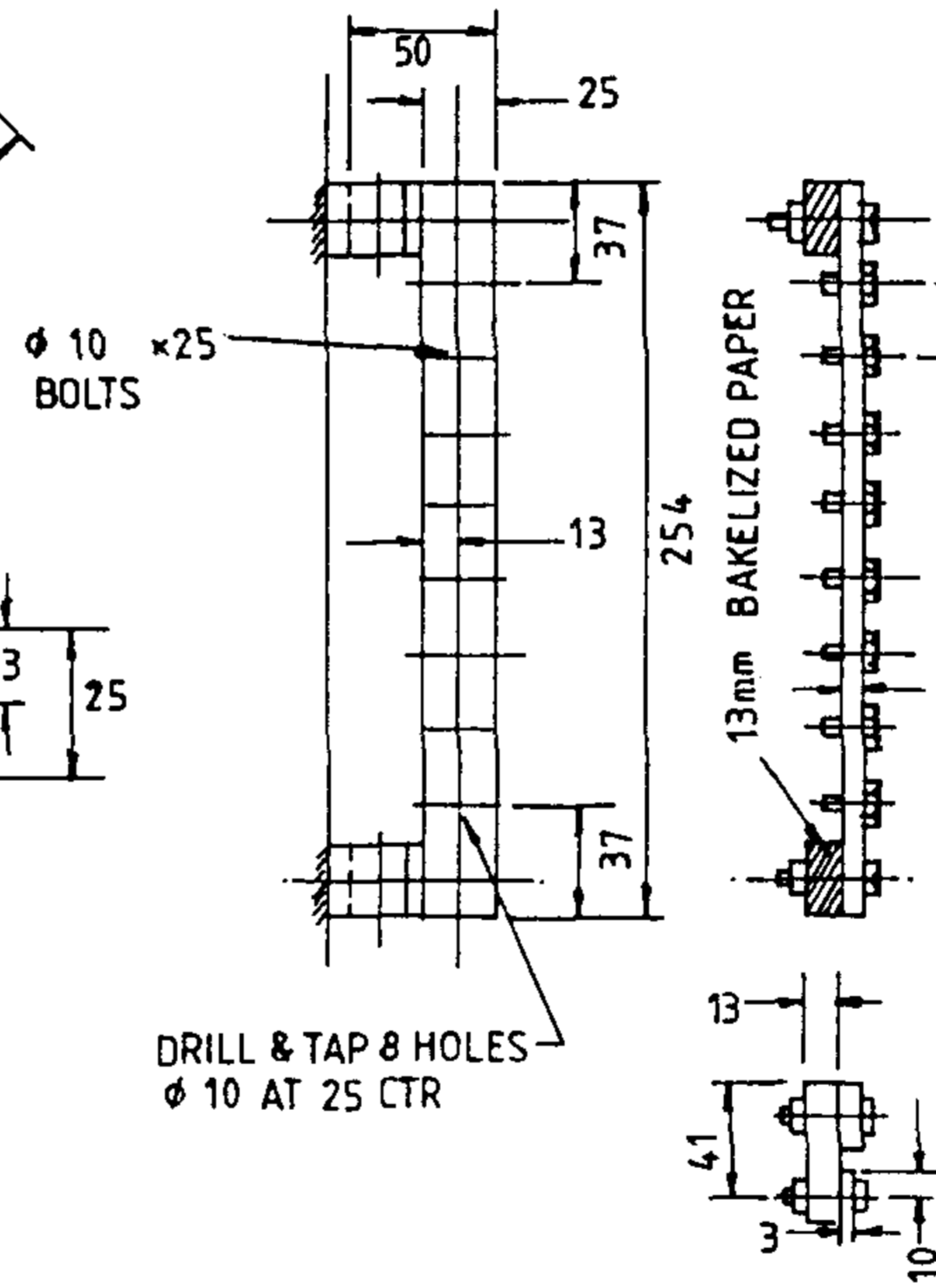


BUSBAR 'D'
(3 OFF)



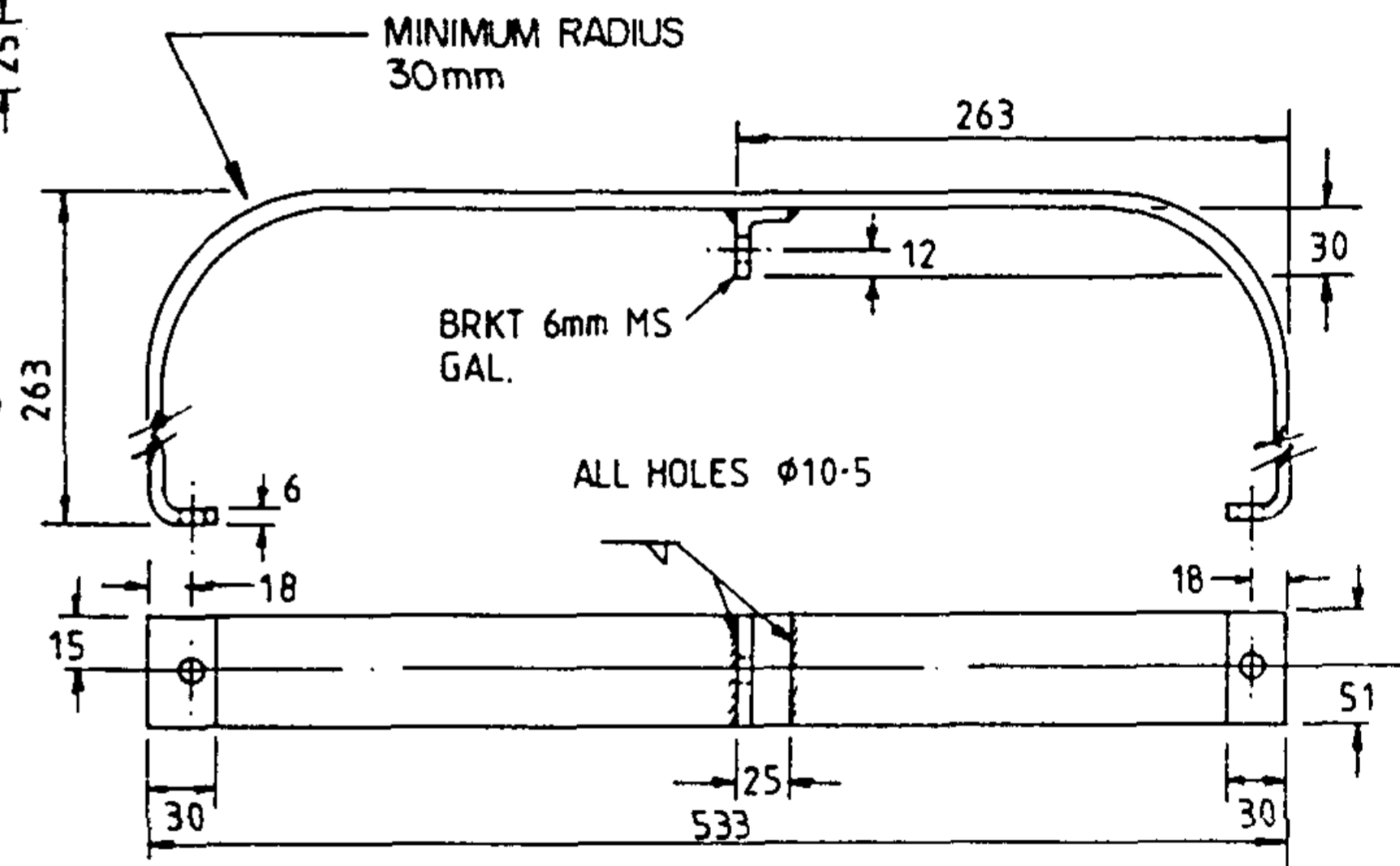
(3 OFF) **MOUNTING STRIP 'E'**

SYNTHETIC RESIN BONDED PAPER OR SIMILAR INSULATING MATERIAL



NEUTRAL BAR 'F'
(1 OFF)

DRILL & TAP 8 HOLES φ 10 AT 25 CTR



FRAME 'H'
(2 OFF)

N ^o	AMENDMENT	DATE	INIT.
3	DIMENSION ADDED & TITLE CHANGED	3/90	Q.
2	TITLE & Drg NUMBER CHANGED	5/88	Q.T.
1	REDRAWN & REVISED	1.85	T.R.

POWER AND WATER AUTHORITY



POWER DIRECTORATE

DES R. HAIGH
DRN R.P.P 5/1/84
CKD B.D. S. S. S.
APPD
ISSUED 4-2-86
DRAFTING STANDARD TO A.S. 1100
ALL DIM. IN mm

N.I. STANDARD DRAWING

TITLE DISTRIBUTION PILLARS
FUSED CABLE ENTRY
STEEL DETAILS Sht 2

A3 DRAWING NUMBER S2-1-3-3

SCALE 1:25 SHEET



AMD T