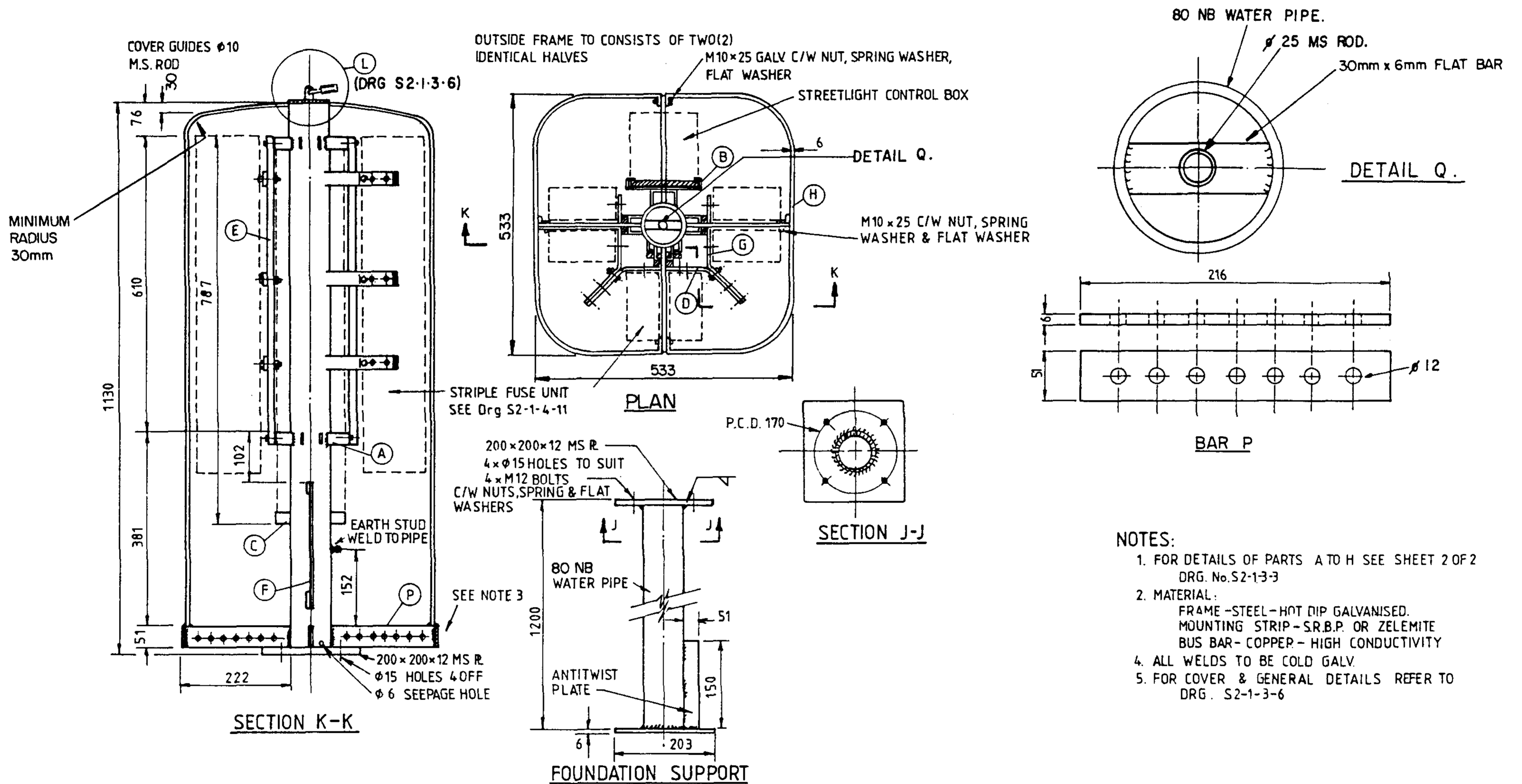


3RD ANGLE — DO NOT SCALE — REPORT ANY ERRORS, OMISSIONS TO DRAFTING OFFICE



- NOTES:
- FOR DETAILS OF PARTS A TO H SEE SHEET 2 OF 2 DRG. No.S2-1-3-3
 - MATERIAL:
FRAME-STEEL-HOT DIP GALVANISED.
MOUNTING STRIP-S.R.B.P. OR ZELEMITE
BUS BAR-COPPER-HIGH CONDUCTIVITY
 - ALL WELDS TO BE COLD GALV.
 - FOR COVER & GENERAL DETAILS REFER TO DRG. S2-1-3-6

No	AMENDMENT	DATE	INIT.
6	COVER REMOVED GENERAL REVISION	3/90	Q.
5	DANGER SIGN AND NOTE 5 ADDED	11/89	Q.
4	TITLE & Drg NUMBER CHANGED	5/88	Q.H.
3	ITEM & STOCK CODES ADDED	01.87	B.S.
2	SEEPAGE HOLE ϕ ALTERED	9/85	R.P.
1	REDRAWN & REVISED	1.85	T.R.



DES. E. HAIGH	N.T. STANDARD DRAWING		
DRN. P.P.P. 21-11-83	TITLE DISTRIBUTION PILLARS FUSED CABLE ENTRY STEEL DETAILS Sht 1		
CKD. B.H. [Signature]	A3	DRAWING NUMBER S2-1-3-2	6
APPD. [Signature]			
ISSUED 4.2.86	SCALE N.T.S. SHEET		
DRAFTING STANDARD TO A.S. 1100	AMD.T.		
ALL DIM. IN mm			