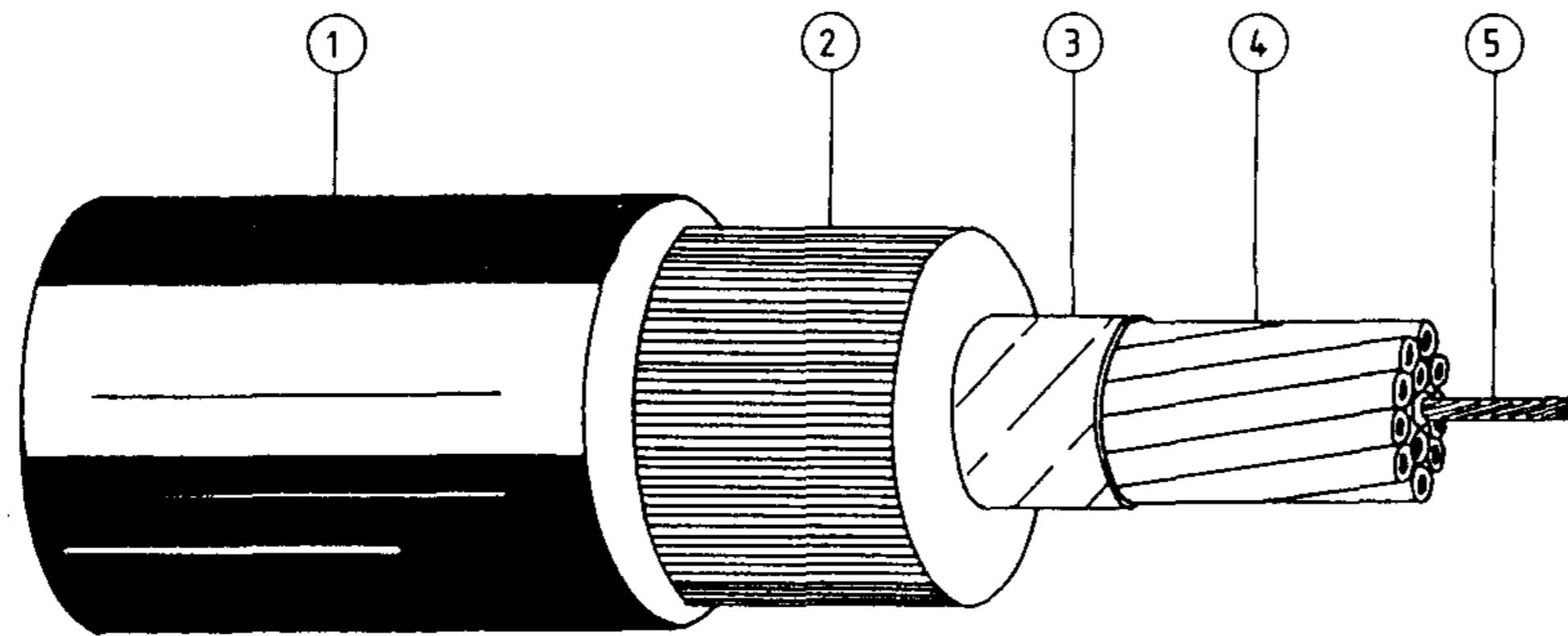


3RD ANGLE — DO NOT SCALE — REPORT ANY ERRORS, OMISSIONS TO DRAFTING OFFICE



SUPPLY CONDUCTOR	1
CONTROL CONDUCTOR	30
CONDUCTOR AREA	1.0mm ²
CONDUCTOR STRANDING.	7/0.40
CONDUCTOR INSULATION THICKNESS	0.4mm
PVC SHEATH THICKNESS	1.4mm
NYLON JACKET	0.4mm
NOMINAL OVERALL DIA	17.65
STOCK CODE	9100

DESCRIPTION	
1	OVERSHEATH - NYLON JACKET - BLACK
2	SHEATH - PVC - BLACK
3	MATRIX TAPED - POLYETHYLENE - TEREPHTHALATE TAPE
4	CONDUCTOR - COPPER - TINNED - WHITE, PVC INSULATED
5	CONDUCTOR - COPPER - TINNED - RED, PVC INSULATED

CIRCULAR MULTICORE PLUS ONE SUPPLY CABLE PVC INSULATED
110V PVC SHEATHED CONTROL CABLE

THE NUMBER OF CORES DOES NOT INCLUDE THE SUPPLY CONDUCTOR
STANDARD CORE COLOURS - WHITE WITH BLACK NUMBERS AND LETTERS
SUPPLY CABLE COLOUR - RED

NOTE

- 1.. THE CABLE SHALL BE PERMANENTLY MARKED WITH MANUFACTURERS IDENTIFICATION YEAR OF MANUFACTURE & VOLTAGE RATING AT INTERVALS ALONG THE OUTER NYLON SHEATH OF CABLE.
- 2.. THE CABLE SHALL ALSO HAVE ITS LENGTH PRINTED AT INTERVAL ALONG THE SHEATH CONSISTING OF CONSECUTIVE No's NOMINALLY SPACED AT ONE METRE.
- 3.. CABLE SHALL BE WOUND ON DRUM TO ENSURE LEGIBILITY OF INFORMATION IN NOTES 1 & 2.

				<p>POWER AND WATER AUTHORITY POWER DIRECTORATE</p>	DES G. McSHANAG	N T STANDARD DRAWING	
					DRN C.W. McLAREN	TITLE CABLES	
					CKD <i>R. J. ...</i>	COPPER-MULTI CORE	
					APPD <i>...</i>	1.0mm ² - CONTROL	
				ISSUED 13.3.86	DRAFTING STANDARD TO A.S. 1100	A3	DRAWING NUMBER S2-1-1-18
				ALL DIM. IN mm.	SCALE <i>N.T.S.</i>	SHEET	AMDT 2
2	TITLE & Org NUMBER CHANGED	5/88	<i>Q11</i>				
1	ITEM & STOCK CODES ADDED	01.87	<i>...</i>				
No.	AMENDMENT	DATE	INIT				