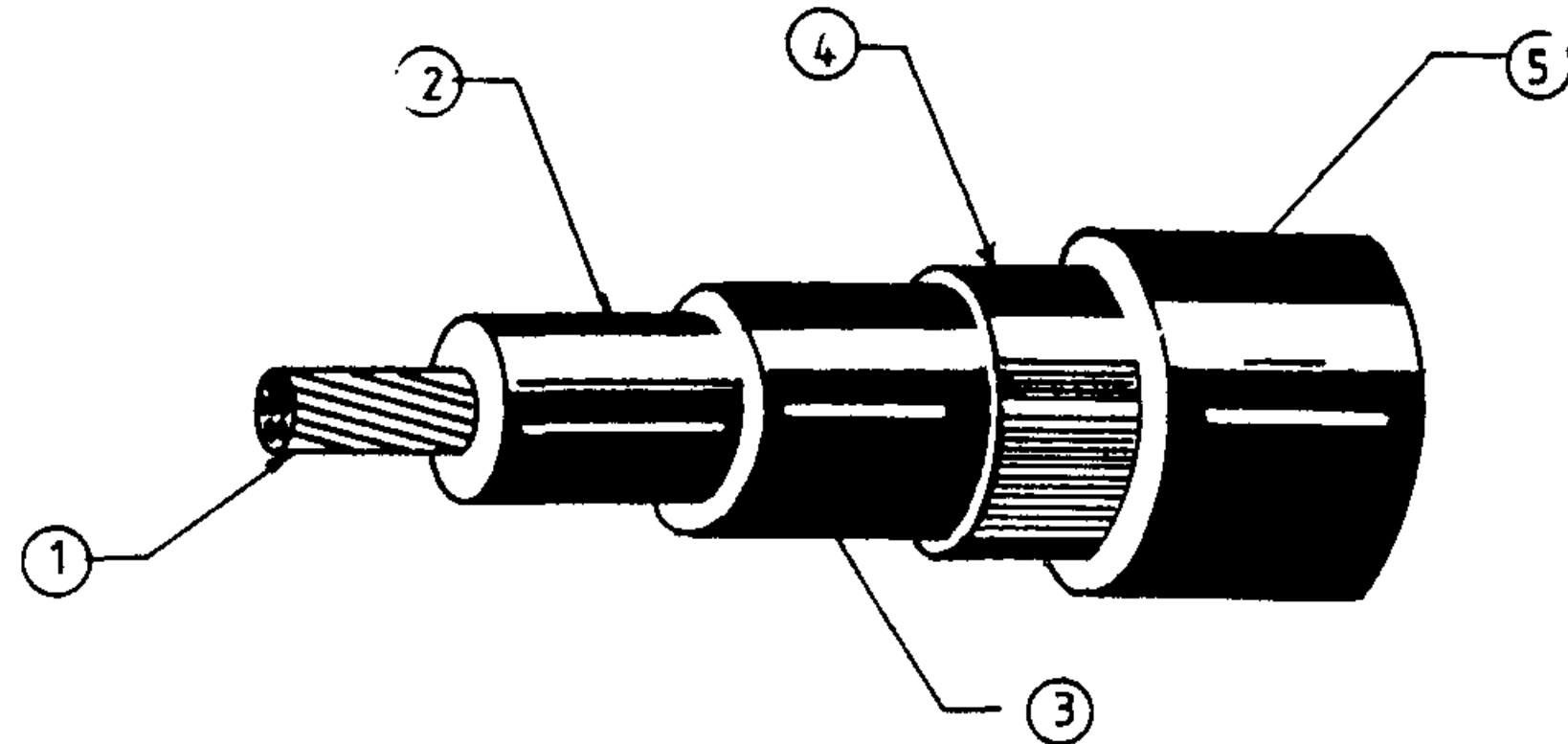


3RD ANGLE — DO NOT SCALE — REPORT ANY ERRORS, OMISSIONS TO DRAFTING OFFICE



ITEM	1	2	3
NOMINAL CONDUCTOR AREA	500mm ²	300mm ²	120mm ²
NOMINAL INSULATION THICKNESS	2.8mm	2.4mm	1.6mm
NOM. PVC SHEATH THICKNESS	2.1mm	1.9mm	1.5mm
NOM. THICKNESS OF NYLON	0.4mm	0.4mm	0.4mm
NOM THICKNESS OF OUTER PVC SACRIFICIAL SHEATH	0.6mm	0.6mm	0.6mm
NOM OVERALL DIAMETER	41.8mm	34.3mm	22.9mm
CONDUCTOR STRANDING	61/3.20	61/2.52	37/2.03
STOCK CODE	9464	9498	9472
LENGTH ON DRUM	250	200	500

	DESCRIPTION
1	CONDUCTOR — COPPER
2	PVC — V75 GRADE INSULATION - BLACK
3	SHEATH -PVC 4V-75 GRADE COLOUR' BLACK
4	ANTI TERMITE JACKET EXTRUDED NYLON 11 OR 12 COLOUR BLACK
5	PVC SACRIFICIAL SHEATH -BLACK

- NOTES. 1. THE CABLES SHALL BE PERMANENTLY MARKED WITH MANUFACTURES IDENTIFICATION YEAR OF MANUFACTURE AND VOLTAGE RATING AT INTERVALS ALONG THE OUTER PVC SHEATH OF THE CABLE
2. THE CABLE SHALL ALSO HAVE ITS LENGTH PRINTED AT INTERVALS ALONG THE SHEATH, CONSISTING OF CONSECUTIVE NUMBERS, NORMALLY SPACED AT ONE METRE.
3. CABLE TO BE WOUND ON DRUM TO ENSURE LEGIBILITY OF ABOVE INFORMATION IN NOTES 1 AND 2
4. THIS CABLE TO COMPLY WITH AS 3147 AND AS 1125

Nº	DESCRIPTION	DATE	INT	Nº	DESCRIPTION	DATE	INT
13	TABLE & TITLE AMENDED	7/95	BB				
12	TITLE & Drg NUMBER CHANGED	5/88	GL				
11	ITEM & STOCK CODES ADDED	01-87	JK				
10	REDRAWN & REDESIGNED	21-11-85	GM				
9	REDRAWN & REDESIGNED	1-85	T.R.				
AMENDMENTS				AMENDMENTS			

<p>POWER AND WATER AUTHORITY</p> <p>POWER DIRECTORATE</p>	DES G McSHANAG	N.T. STANDARD DRAWING	
	DRNG McSHANAG	TITLE CABLES	
	CKD <i>Kye</i> 7/6/85	COPPER-SINGLE CORE	
	APPD <i>W</i>	0.6/1KV	
	ISSUED 6/11/85	PVC/PVC/NYLON/PVC	
DRAFTING STANDARD TO AS 1100	A3	DRAWING NUMBER S2-1-1-11	
ALL DIM. IN mm	SCALE NOT TO SCALE	SHEET	