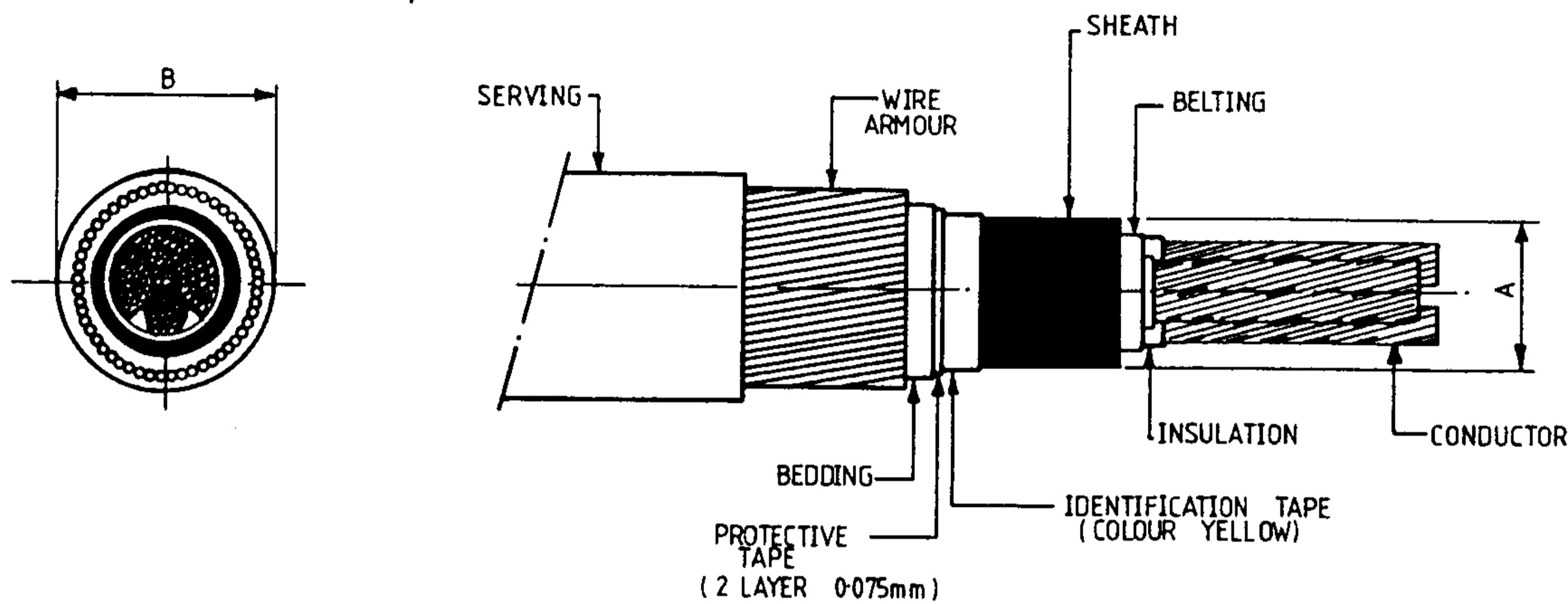


3RD ANGLE — DO NOT SCALE — REPORT ANY ERRORS, OMISSIONS TO DRAFTING OFFICE



- CABLE START MARKED 'A' ON SEAL  
CABLE END MARKED 'Z'
- CORE IDENTIFICATION FOR END MARKED 'A' AS FOLLOWS: 0 (NEUTRAL) PHASE  
CORES 1,2,3 COUNTED IN CLOCKWISE DIRECTION.
- THE CABLES SHALL BE PERMANENTLY MARKED WITH MANUFACTURERS IDENTIFICATION YEAR OF MANUFACTURE AND VOLTAGE RATING AT INTERVALS ALONG THE OUTER PVC SHEATH OF THE CABLE.
- THE CABLE SHALL ALSO HAVE ITS LENGTH PRINTED AT INTERVALS ALONG THE SHEATH CONSISTING OF CONSECUTIVE NUMBERS NOMINALLY SPACED AT ONE METRE.
- CABLE TO BE WOUND ON DRUM TO ENSURE LEGIBILITY OF ABOVE INFORMATION IN NOTES 3 & 4
- MINIMUM DIAMETER OF BARREL IS 16 TIMES CABLE DIAMETER STATED IN COLUMN 'B'.
- MATERIAL:- CONDUCTOR - COPPER  
INSULATION & BELTING - MIND PAPER  
BEDDING - BITUMENISED HESSIAN  
SHEATH - LEAD ALLOY  
IDENTIFICATION TAPE - POLYESTER  
PROTECTIVE TAPE - BRASS, SERVING PVC (BLACK)  
WIRE ARMOUR - STEEL WIRE GALV.
- TECHNICAL DATA - MAX. OPERATING VOLTAGE 1100V  
TEMP FOR ABOVE  
MAX CONDUCTOR TEMP 80°C  
GROUND TEMP 25°C  
AIR TEMP 40°C
- CABLES TO COMPLY WITH AS 1026-1992.

DRUM DETAILS FOR ALL CABLES	DIAMETER: 1980 mm
	WIDTH BETWEEN FLANGES : 1220 mm
	CORE HOLE : 102 mm
	BARREL DIAMETER : SEE NOTE 6

ITEM	STOCK CODE	NOMINAL AREA	CONDUCTOR STRANDING	NEUTRAL SIZE	SHEATH DIAMETER A	OUTSIDE DIAMETER B	MINIMUM INSTALLATION RADIUS	WEIGHT Kg/100m	CURRENT RATING (AMPS)			CABLE LENGTH
									DIRECT IN GROUND	IN DUCT	IN AIR	
1	11106	120 mm <sup>2</sup>	37/2-03	70 mm <sup>2</sup>	36.8 mm	49.4 mm	600 mm	910	310	255	275	500 M
2	9225	240 mm <sup>2</sup>	61/2-25	120 mm <sup>2</sup>	49.8 mm	63.2 mm	760 mm	1540	450	375	430	250 M
3	9175	95 mm <sup>2</sup>	37/1-78	50 mm <sup>2</sup>	33.0 mm	44.4 mm	530 mm	710	265	220	235	500 M

15 NOTE 9 ADDED 14 SERVING COLOUR CHANGED TO BLACK 13 'B' ADDED TO NOTE 6. CABLE LENGTHS ADDED. NO AMENDMENTS	7/95	AD	<b>POWER AND WATER AUTHORITY</b>  POWER DIRECTORATE	DES R. HAIGH	N.T. STANDARD DRAWING	
	3/90	AD		DRN S. SANDERS	TITLE CABLES	
	1/89	AD		CKD <i>[Signature]</i> 27/4/85	COPPER - 3 1/2 CORE	
				APPD <i>[Signature]</i>	0.6/1KV - BELTED	
				ISSUED 6/11/85	PAPER LEAD	
			DRAFTING STANDARD TO A.S. 1100	A3	DRAWING NUMBER S2-1-1-10	
			ALL DIM. IN mm	SCALE NTS	SHEET	AMDT.