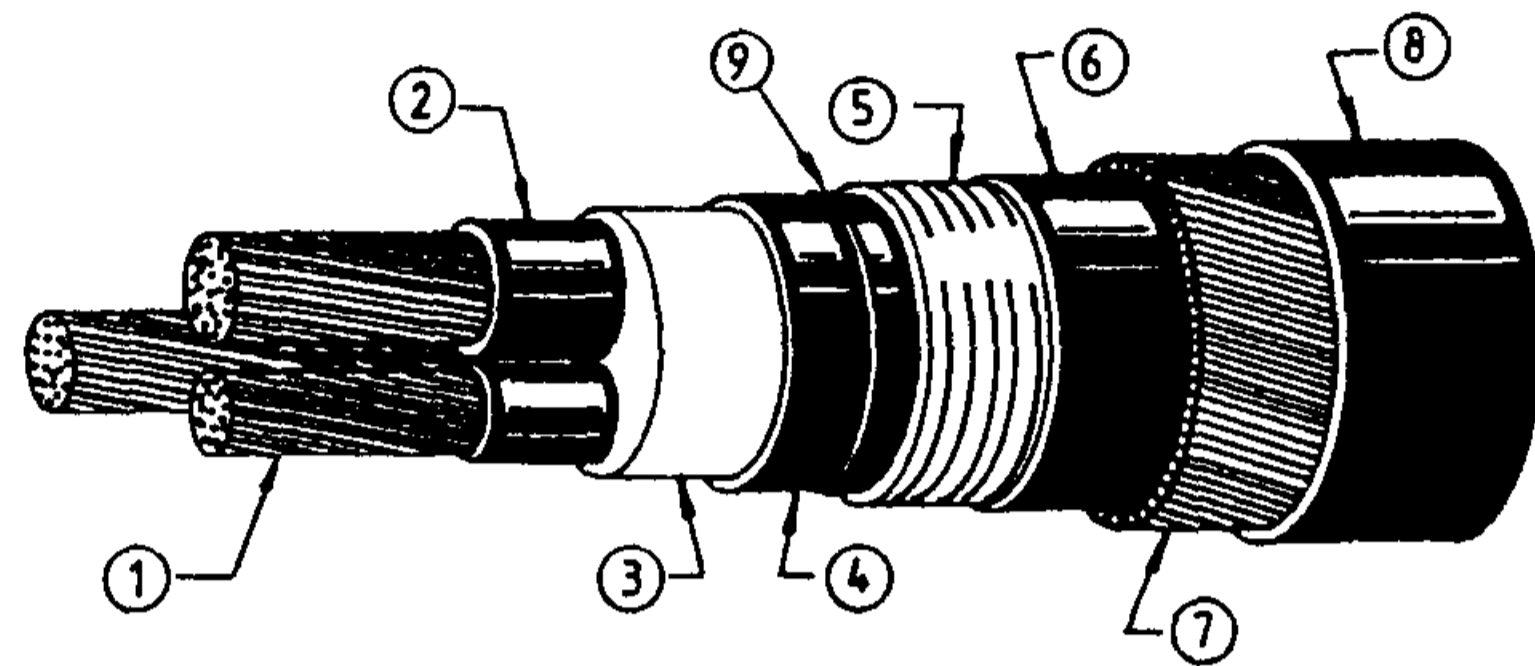


3RD ANGLE — DO NOT SCALE — REPORT ANY ERRORS, OMISSIONS TO DRAFTING OFFICE



DRUM DETAILS FOR ALL CABLES
 DRUM DIA. 1980 mm.
 DRUM WIDTH. 1220 mm.
 CORE HOLE. 102 mm.

NOTES:

1. THE CABLES SHALL BE PERMANENTLY MARKED WITH MANUFACTURERS IDENTIFICATION YEAR OF MANUFACTURE & VOLTAGE RATING AT INTERVALS ALONG THE OUTER PVC SHEATH OF THE CABLE.
2. THE CABLE SHALL ALSO HAVE ITS LENGTH PRINTED AT INTERVALS ALONG THE SHEATH CONSISTING OF CONSECUTIVE NUMBERS NOMINALLY SPACED AT ONE METRE.
3. CABLE TO BE WOUND ON DRUM TO ENSURE LEGIBILITY OF ABOVE INFORMATION IN NOTES 1 & 2.
4. BRASS TAPES TO HAVE A MINIMUM OF 40% OVERLAP TO PROVIDE TERMITE PROTECTION.
5. THE CABLE WILL COMPLY WITH AS 1026

ITEM	STOCK CODE	NOMINAL AREA	CONDUCTOR SIZE AND STRANDING	SHEATH DIA	OVERALL DIA	MINIMUM INSTALL RADIUS	WEIGHT Kg/100m	CURRENT RATING (AMPS)			NORMAL DRUM LENGTH METRES	REMARKS
								IN GROUND	IN DUCT	IN AIR		
1	9282	50mm ²	19/1-78	33.6mm	44.9mm	540mm	650	145	125	120	500	
2	9266	185mm ²	37/2-52	49.2mm	62.8mm	755mm	1340	315	265	275	500	

DESCRIPTION	
1.	Conductor - copper. (AS 1125)
2.	Insulation - paper/mass impregnated non draining compound
3.	Bedding - paper/mass impregnated non draining compound.
4.	Sheath - lead alloy 'E'
5.	Protective tape - brass, 2 layers 0.075mm.
6.	Bedding - bitumenised hessian
7.	Armour - steel galvanised wire
8.	Serving - P.V.C., colour black
9.	P.V.C. tape

TECHNICAL DATA
 Operating voltage 11kV.
 Temp. for above current ratings.
 Max. conductor temp. 70°C.
 Ground temp. 25°C.
 Air temp. 40°C.
 CONSTRUCTION: PLY BT SWS

NO	DESCRIPTION	DATE	INT	NO	DESCRIPTION	DATE	INT
16	CURRENT RATING ITEM 2 AMENDED	8/90	R.F.				
15	SERVING COLOUR CHANGED TO BLACK	6/3/89					
14	TITLE AND DRAWING N° CHANGED	MAY 88					
13	ITEM & STOCK CODES ADDED	01.87					
12	185mm ² CABLE DRUM LENGTH 500metres	14/8/86					
11	REDRAWN & REVISED	1.85	T.R.				

<p>POWER AND WATER AUTHORITY</p> <p>POWER DIRECTORATE</p>	DES R. HAIGH	NT STANDARD DRAWING	
	DRN T.E. SEDEN.	TITLE	CABLES
	CKD <i>[Signature]</i> 27/4/85		COPPER 3 CORE
	APPD <i>[Signature]</i>		6.35 / 11KV BELTED
	ISSUED 6/11/85		PAPER LEAD
DRAFTING STANDARD TO A.S. 1100	A3	DRAWING NUMBER	S2-1-1-4
ALL DIM. IN mm	SCALE	SHEET	AMD.T.