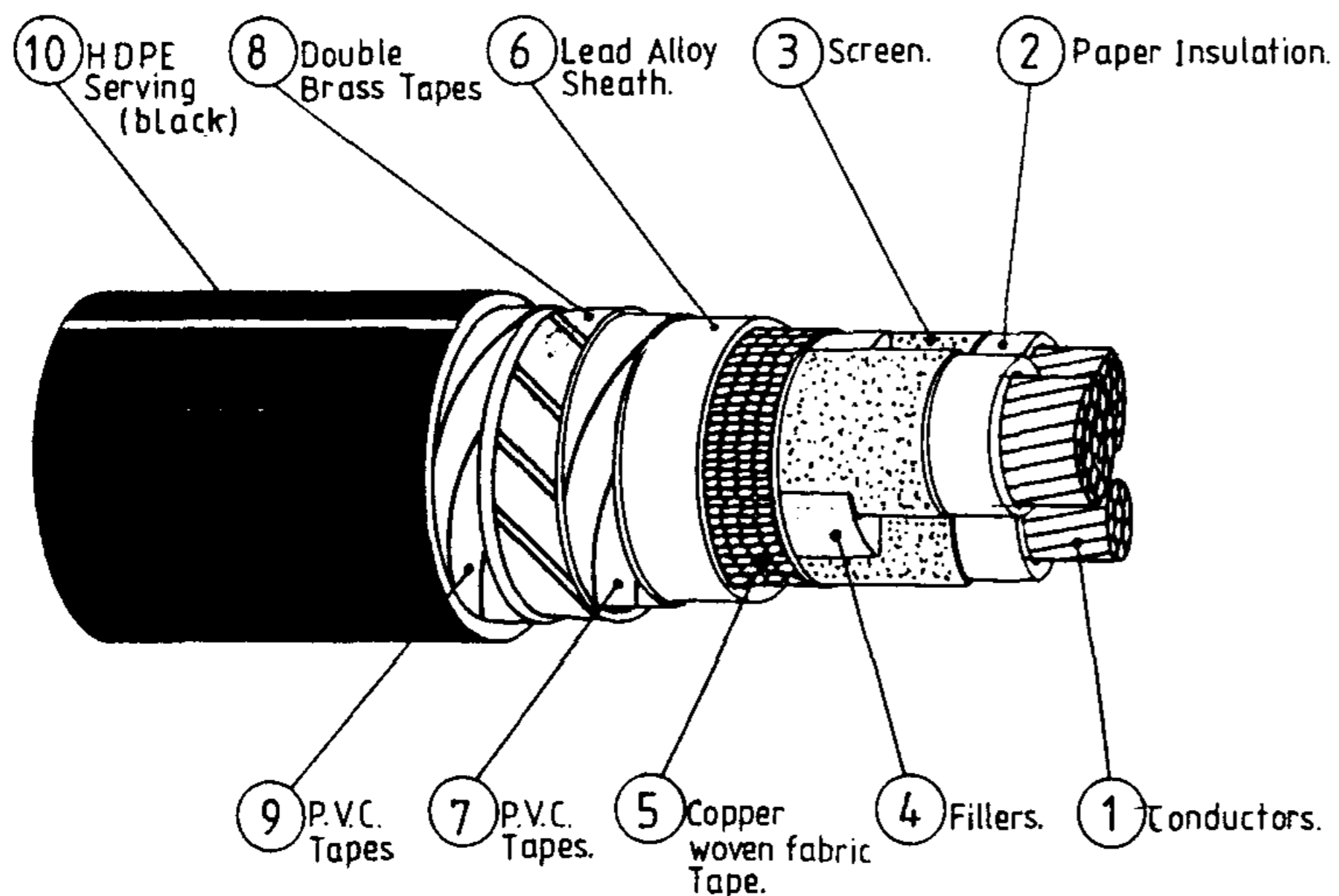


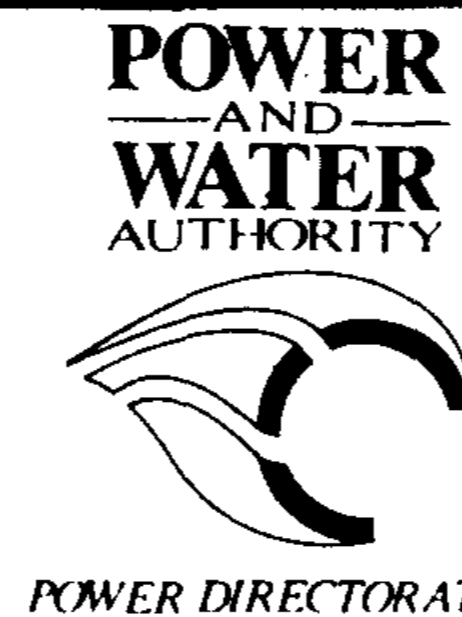
3RD ANGLE — DO NOT SCALE — REPORT ANY ERRORS, OMISSIONS TO DRAFTING OFFICE



- NOTES:**
- The cable will comply with AS 1026 - 1973 except for the increase in sheath thickness required for fault rating and the termite protection.
  - The cable will be permanently marked with manufacturers identification year of manufacture & voltage rating at intervals along the outer HDPE sheath of the cable.
  - The cable shall also have its length printed at intervals along the sheath consisting of consecutive numbers, nominally spaced at one meter.
  - The cable shall be wound on the drum to ensure legibility of the information in notes 2 and 3.
  - Direct buried current rating is based on 900mm depth in 30°C soil with a thermal resistivity of 1.5°C m/w.
  - Brass tapes to have a nominal 40% overlap to provide termite protection. The gap between tapes shall be a minimum of 15% and a maximum of 25%. The tapes shall overlap by a minimum of 30%.
  - Cable supplied direct to PAWA to be on a drum with diameter 2500 mm max. Width over flanges 1500 mm max. core hole 100 mm diameter.
  - The grade of HDPE and its method of application will be such as to eliminate stress cracking.

DESCRIPTION		ITEM 1	
1	Nom. Conductor Area.	mm <sup>2</sup>	300
	Conductor.		Comp. sector shape
	Conductor Material.		Aluminium.
	Number of Cores.		3
2	Insulation Material.		MIND paper.
	Nom. Insulation Thickness.	mm	2.8
6	Sheath	Area	mm <sup>2</sup> 4.57
		Material	Lead Alloy E.
		Thickness.	mm 2.6
7	Nom. Thickness P.V.C. Sheath (Inner.)	mm	2x.125 Tapes
	Nom. Ø over P.V.C. Sheath.	mm	59.6
8	Brass Tapes	Width	mm 40
		Thickness	mm .075
		No.	2
	Nom. Ø over Termite Protection.	mm	59.9
9	Nom. Thickness P.V.C. Sheath (Outer).		2x.125 Tapes
10	Outer Serving Thickness.	mm	2.3
	Material.		HDPE (black)
	Nom. Overall Ø of Cable.	mm	65.4
	Current Rating Direct Buried.	amps.	310
	Zero Sequence Impedance	Ω/1000m	1.750 + j0.0465
	+ & - Sequence Impedance	Ω/1000m	.122 + j0.073
	1 second fault rating.	kA	13.7
	Minimum Bending Radius	m	0.8
	Weight	KG/m	9.9
	Maximum Pulling Tension	N	Manf. spec.
	Nom. Drum Length.	m	300
	Stock code		9480

date	No	Amendment details
JUL 95	6	TABLE & DETAIL AMENDED <i>RJD</i>
MAY 88	5	TITLE & Drg NUMBER CHANGED <i>QJH</i>
20.1.87	4	stock code added <i>Rand</i>
8.5.85	3	BRASS TAPES WIDTH NOW 40mm T.R.A
31/1/84	2	NOTE 7 AMENDED. STOCK No. ADDED. <i>TOLS</i>
APR. 82	1	BRASS TAPE OVERLAP CLARIFIED



DES DR. D.K. SWEETING  
 DRN J. Gammie  
 CKD *D.K. Sweeting*  
 APPD *Kyall 15/12/83*  
 ISSUED 15/12/83  
 DRAFTING STANDARD TO A.S. 1100  
 ALL DIM. IN mm

N T STANDARD DRAWING	
TITLE	CABLES ALUMINIUM - 3 CORE 6.35 / 11kV - SCREENED PAPER LEAD-300 mm <sup>2</sup>
DRAWING NUMBER	A3 S2-1-1-2
SCALE	N. T. S.
SHEET	6
AMD.T.	