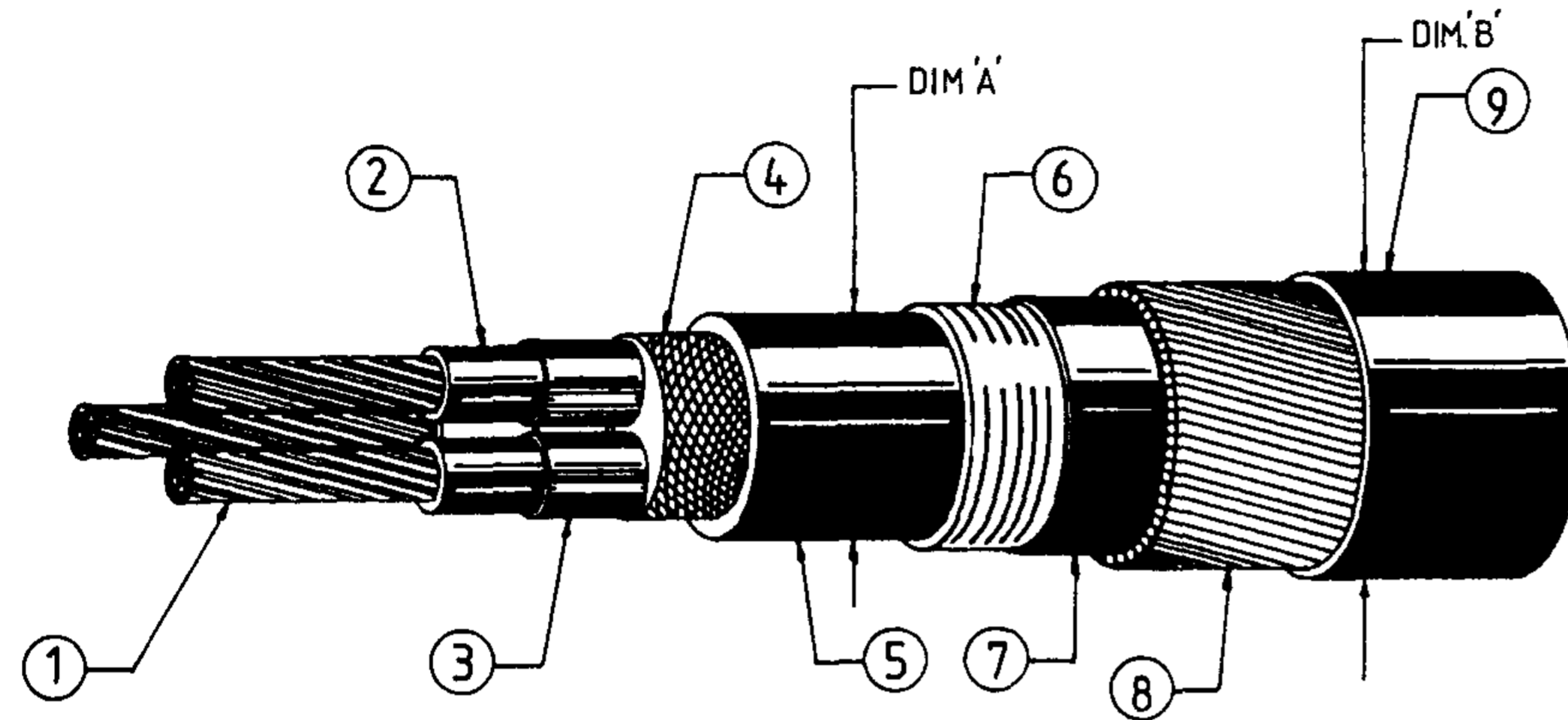


3RD ANGLE — DO NOT SCALE — REPORT ANY ERRORS, OMISSIONS TO DRAFTING OFFICE



ITEM	STOCK CODE	CONDUCT CORE	SIZE	SHEATH DIA. 'A'	OUTSIDE DIA. 'B'	INST. RAD.	CURRENT RATING (AMPS)			DRUM LENGTH
							(AS PER B.S.)			
							DIRECT IN GROUND	SINGLE WAY DUCT	IN AIR	
1	9076	25 mm ²	19/1-35	42.0mm	55.0mm	830 mm	105	93	89	500m
2	9084	120 mm ²	37/2-03	55.0mm	69.0mm	1025mm	255	225	225	400m
3	N.S.I.	240 mm ²	61/2-25	66.0mm	83.0mm	1230 mm	370	320	345	400m

ITEM 3 IS NOT AVAILABLE EX-STOCK FROM PAWA STORE. MUST BE ORDERED AS REQUIRED.

NOTES:

- The cables shall be permanently marked with manufacturers identification, year of manufacture & voltage rating at intervals along the outer P.V.C. sheath of the cable.
- The cable shall also have its length printed at intervals along the sheath, consisting of consecutive no's nominally spaced at one metre.
- Cables shall be wound on drum to ensure legibility of information in notes 1 & 2.
- All cables to comply with AS 1026-1992

DESCRIPTION	
1	CONDUCTOR - COPPER
2	INSULATION - M.I.N.D PAPER
3	SCREENING - METALISED PAPER TAPE
4	COPPER WOVEN FABRIC BINDER TAPE
5	SHEATH - LEAD ALLOY 'E'
6	PROTECTIVE TAPE - BRASS 2 LAYERS 0.076mm
7	BEDDING - PVC
8	ARMOUR - STEEL GALVANISED WIRE
9	SERVING - PVC, COLOUR BLACK

No	DESCRIPTION	DATE	INT	No	DESCRIPTION	DATE	INT
13	NOTE 4 AMENDED	7/95	RR				
12	SERVING COLOUR CHANGED TO BLACK	6/92	BR				
11	B CHANGED WEIGHT DELETED TITLE & Drg NUMBER CHANGED. Dim A &	MAY 88	BR				
10	ITEM & STOCK CODES ADDED	01/97	BR				
9	CP569 ADDED BEDDING WAS TEXTILE NOW PVC	1.86	BR				
8	SCREENING ALTERED	8.85	BR				
7	REDRAWN & REDESIGNED	1.85	T.R.				

POWER AND WATER AUTHORITY
POWER DIRECTORATE

DES R. HAIGH
DRN S. JACKSON
CKD *[Signature]* 27/6/95
APPD *[Signature]*
ISSUED 6/11/95
DRAFTING STANDARD TO A.S. 1100
ALL DIM IN mm

NT STANDARD DRAWING
TITLE CABLES
COPPER - 3 CORE
12.7 / 22 KV - SCREENED
DRAWING NUMBER S2-1-1-1
SCALE NOT TO SCALE
SHEET ———

AMDT