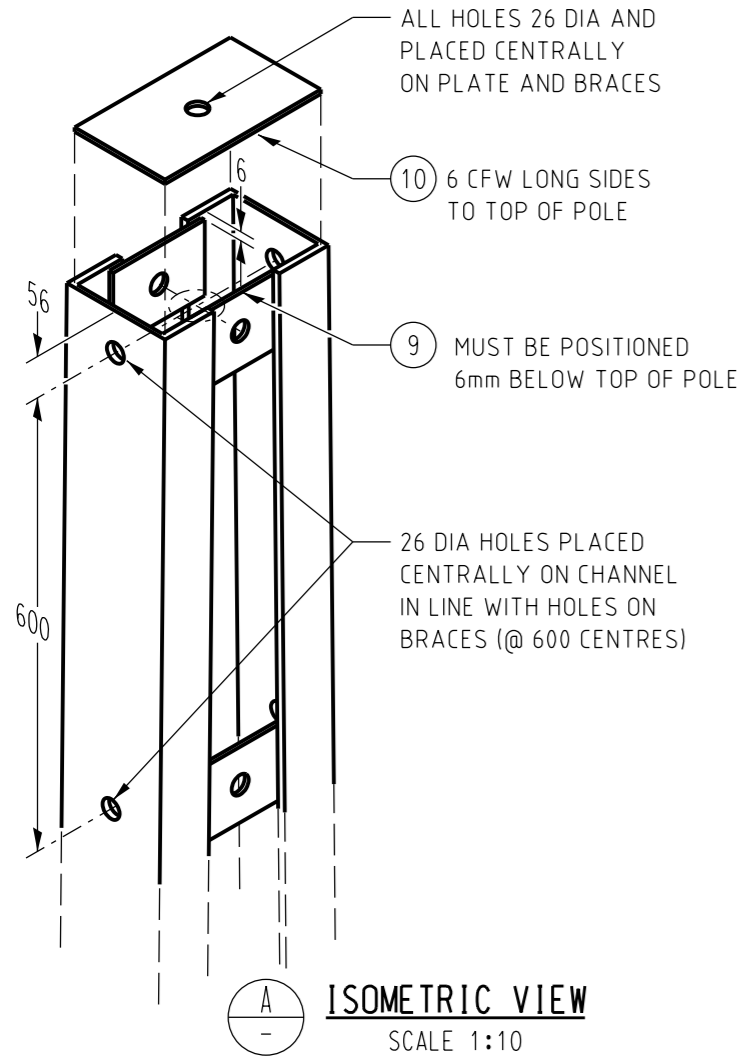
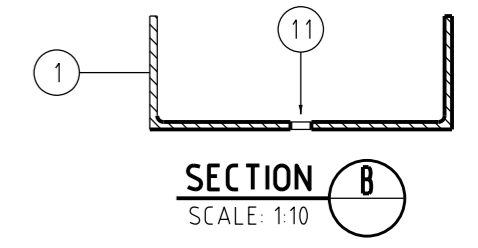


SIDE VIEW
SCALE 1:40

LINE POLE 10.5B - TOTAL MASS 540kg
 STANDARD - ITEM NUMBER: 298448
 HD GALVANISED - ITEM NUMBER: 501237

LINE POLE 10.5C - TOTAL MASS 660kg
 STANDARD - ITEM NUMBER: 299107
 HD GALVANISED - ITEM NUMBER: 501238



ISOMETRIC VIEW
SCALE 1:10

NOTES:

- TOP PLATE AND BASE PLATE DO NOT FORM PART OF THE OVERALL DIMENSION.
- BRACES AND GROUND PLATE TO BE WELDED ON INSIDE OF POLE AND TO HAVE 18mm MIN OVERLAP. ANTI-CLIMBING PLATE TO BE WELDED ON OUTSIDE OF POLE.
- ALL WELDS TO BE 6mm FILLET CONTINUOUS WELD EXCEPT ANTI-CLIMBING PLATE WHICH IS TO HAVE 6mm FILLET 150mm LONG AT BOTH ENDS AND CENTRE.
- ALL ROUGH OR BURRED EDGES ARE TO BE DRESSED CLEAN.
- STEEL TO BE GRADE 300 PLUS, REFER TO BHP 1999 HOT ROLLED STRUCTURAL STEEL PRODUCTS.
- PFC DIMENSIONS ARE TO AS 3679.
- WELDING TO COMPLY WITH AS 1554.
- TOLERANCES TO DIMENSIONS OVER 5m IS +/- 5mm.
- EACH POLE IS TO BE ENGRAVED WITH THE SIZE, TARE WEIGHT, FABRICATORS NAME AND MONTH AND YEAR OF FABRICATION.
- ENGRAVING SHALL BE IN LETTERS NO LESS THAN 10mm HIGH AND 0.05mm DEEP AND POSITIONED ON THE FIRST GUSSET PLATE ABOVE GROUND LEVEL.
- POLES TO COMPLY WITH STSP 01-002.

ITEM REF.	QTY. 10.5B	QTY. 10.5C	DESCRIPTION	ITEM NUMBER
13	AR	AR	M12 FLAT ROUND WASHER	400832
12	AR	AR	M12x40 GALV. STEEL BOLT C/W NUT	503669
11	3	3	Ø14 PREDRILLED HOLE	-
10	-	1	238 x 188 x 6 FMS, TOP PLATE 26 DIA HOLE	-
	1	-	238 x 138 x 6 FMS, TOP PLATE 26 DIA HOLE	-
9	2	2	140 x 100 x 10 FMS, TOP BRACE 26 DIA. HOLE	-
8	6	6	220 x 150 x 10 FMS, BRACE 26 DIA. HOLE	-
7	8	8	260 x 150 x 10 FMS, BRACE 26 DIA. HOLE	-
6	2	2	300 x 1500 x 6 FMS, ANTI-CLIMBING PLATE	-
5	6	6	380 x 150 x 6 FMS, BRACES UNDER A/CL PLATE	-
4	2	2	400 x 300 x 6 FMS, GROUND PLATE	-
3	2	2	430 x 150 x 6 FMS, FOOTING BRACES	-
2	1	1	550 x 100 x 6 FMS, BASE PLATE	-
1	-	2	200 x 75 PFC. 10.5m LONG	-
	-	-	150 x 75 PFC. 10.5m LONG	-

MATERIAL LIST

NO	DESCRIPTION	DRN	DATE	CKD	APPD
6	ADDED NOTE 11. REFORMATTED TEXT AND TABLE	A.N.	SEP'21	A.N.	B.V.
5	TITLEBLOCK & DRAWING NUMBER FORMATTED, GALVANISED ITEMS ADDED	K.T.	DEC'18	C.C.	C.C.
4	POLE MASS, ITEM 12 & 13 ADDED. NOTE 9 AMENDED, ITEM 10 AMENDED, 13ø HOLES FOR PADLOCKS REMOVED	A.T.	MAR'16	I.B.	A.T.
3	13ø HOLES FOR PADLOCK ADDED	K.I.	OCT'05	C.C.	C.C.
2	M12 X 40 LONG GALVANISED BOLTS ITEM 11 ADDED	A.S.	MAY'03	M.B.	M.B.
1	TITLE CHANGED TO 10.5B & 10.5C STOCK CODE FOR 10.5C ADDED	A.S.	SEP'01	M.B.	F.R.R.
0	ISSUED FOR CONSTRUCTION	A.S.	MAR'01	M.B.	F.R.R.

PowerWater
NORTHERN TERRITORY

DES	M. BOCK	POWER STANDARD DRAWING	
DRN	R. INNES	POLES LINE 10.5B & 10.5C BOLTED CONNECTIONS TYPE	
CKD	M. BOCK	A3	DRAWING NUMBER S01-01-01-08
APPD	F. ROBSON		
SCALE	1:40	DRAFTING STANDARD TO A.S.1100	
ISSUED	JULY'00	CAD PRODUCT - DO NOT AMEND MANUALLY	
ALL DIM. IN mm		AMDT	