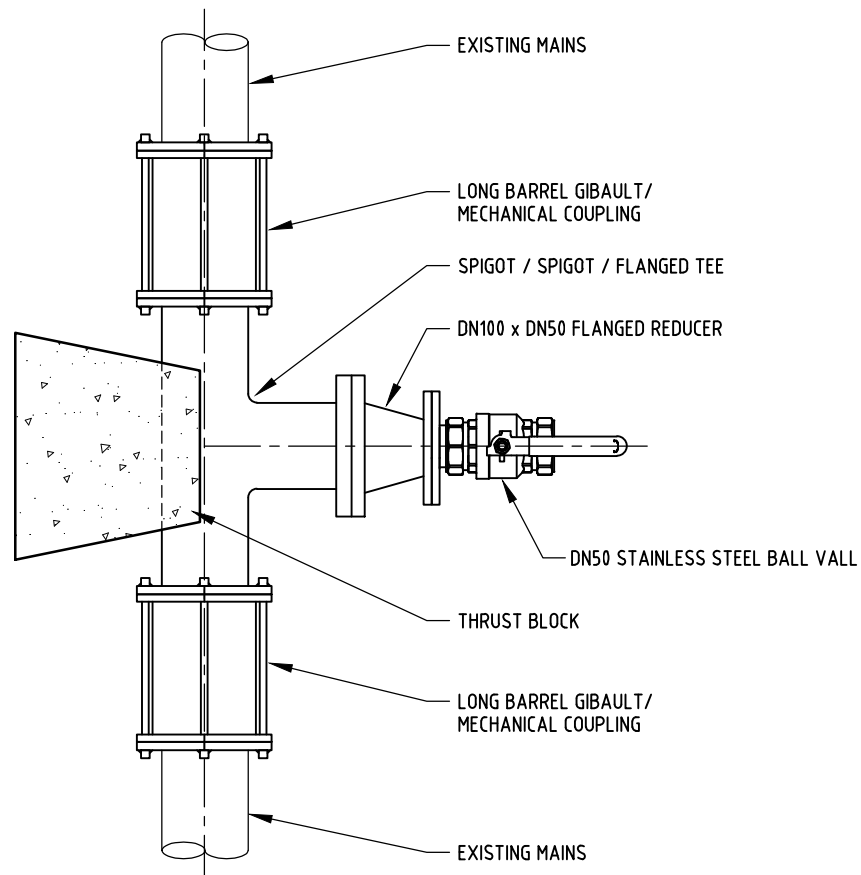


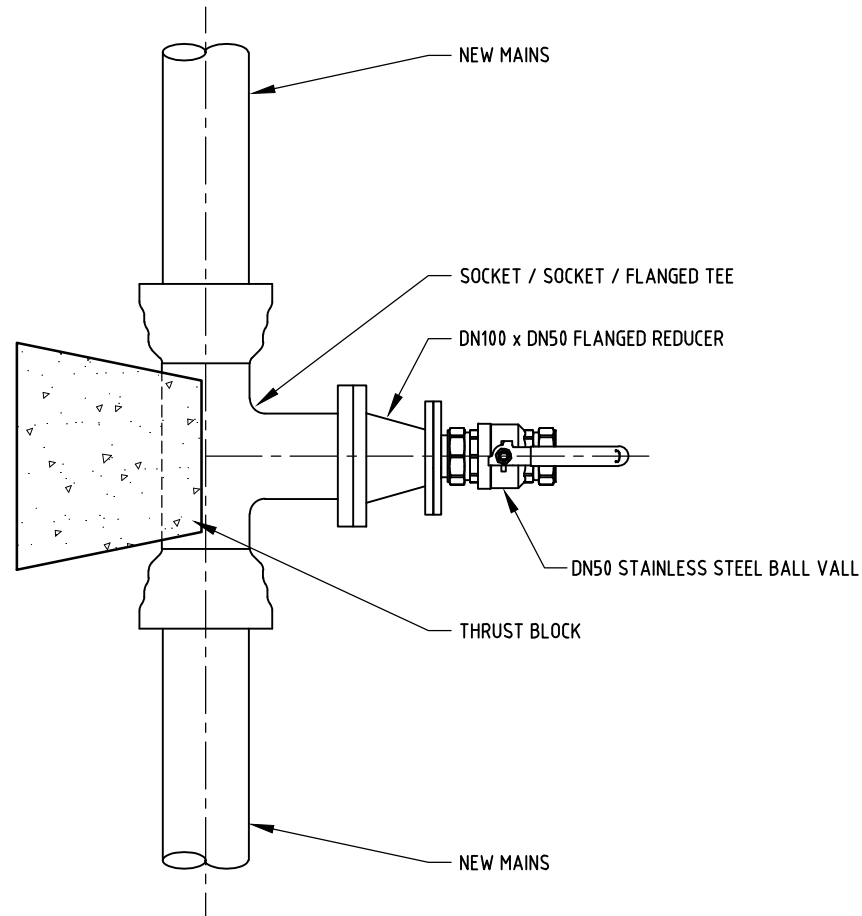
**PRE-TAPPED CONNECTOR**

DN50 WATER SERVICE  
(SINGLE BOSS - NEW MAINS ONLY)



**BRANCH TEE CONNECTION**

DN50 WATER SERVICE - EXISTING MAINS ONLY



**BRANCH TEE CONNECTION**

DN50 WATER SERVICE - NEW MAINS ONLY

**NOTES:**

1. ALL DIMENSIONS IN MILLIMETRES UNLESS NOTED OTHERWISE.
2. COPPER ALLOY SHALL BE DEZINCIFICATION RESISTANT (DRI) TO AS2345.
3. DO NOT USE FITTINGS THAT HAVE ANY DAMAGE TO FUSION BONDED INTERNAL COATING THAT EXCEEDS 25mm x 25mm. FOR DAMAGE TO FUSION BONDED EXTERNAL COATING LESS THAN 25mm x 25mm, REPAIR BY WRAPPING WITH 50mm WIDE PETROLATUM TAPE.
4. USE POLYETHYLENE SLEEVING (REFER TO DRAWING W1-2-17B) TO ENCAPSULATE THE DICI TEE AND STAINLESS STEEL BALL VALVE. SECURE THE STAINLESS STEEL BALL VALVE HANDLE IN THE OPEN POSITION WITH A STAINLESS STEEL CABLE TIE OR ADHESIVE TAPE. SECURE THE SLEEVING TO THE PIPE WITH ADHESIVE TAPE.
5. FOR DETAILS OF APPROVED PRODUCTS USED ON THIS DRAWING, REFER TO THE WATER AND SEWAGE INFRASTRUCTURE PRODUCTS MANUAL.
6. DN50 SERVICE CONNECTION SHALL BE PROVIDED FROM MAIN TO NEXT TO PROPERTY BOUNDARY.

4	GENERAL AMENDMENTS 2020.	PW	OCT'20	JR	DC
3	REDRAWN IN AUTOCAD.	AW	OCT'18	JR	DC
2	NOTE 8 ADDED.	AW	JUNE'11	RJ	JP
1	DRAWING NUMBER CHANGED FROM W1-1-23A.	RGI	NOV'06	RJ	JP
NO	DESCRIPTION	DRN	DATE	CKD	APPD
	AMENDMENTS				



DES	-	WATER STANDARD DRAWING		
DRN	KJ	SERVICES		
CHK	RJ	CONNECTION TO MAINS		
APPD	JP	DN50		
SCALE	N.T.S.	A3	DRAWING NUMBER	W1-1-23B
ISSUED	OCT'06			
ALL DIM. IN mm				4
DRAFTING STANDARD TO A.S.1100		CAD PRODUCT - DO NOT AMEND MANUALLY		