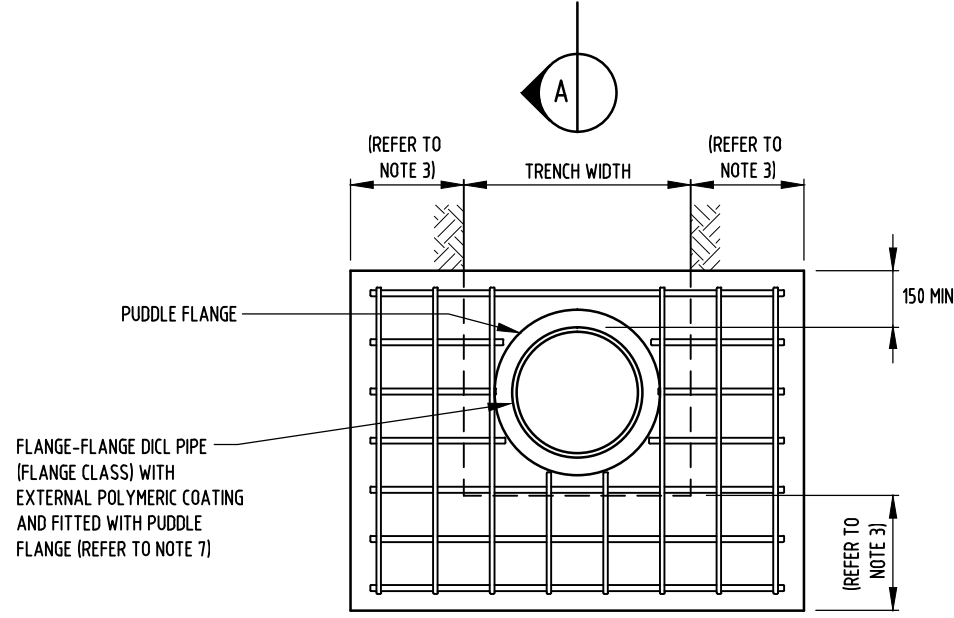


ELEVATION



SECTION A
THRUST BLOCK & REO BAR DETAIL
N.T.S. (HALF ELEVATION SIZE)

NOTES:

- THIS ARRANGEMENT IS NOT REQUIRED WHERE THE VALVE IS BOLTED TO A TEE ON EXISTING MAIN.
- THRUST BLOCK DIMENSIONS SUITABLE FOR ALLOWABLE HORIZONTAL BEARING PRESSURE ('AHBP') OR SOIL OF 100kPa OR GREATER. SOILS OF LESS THAN 100kPa HYDRAULIC ENGINEER TO SPECIFY THRUST BLOCK DIMENSIONS.
- THRUST BLOCK TO EXTEND BELOW BASE OF TRENCH FOR A MINIMUM OF

DN	MINIMUM DIMENSION
<300	300mm
300 & 375	600mm
450	900mm

THRUST BLOCK TO EXTEND INTO SIDE WALLS OF TRENCH FOR A MINIMUM OF

DN	MINIMUM DIMENSION
<300	300mm
375 & 450	450mm
- USE GALVANISED BOLTS AND APPLY THREE PART OR FOUR PART PETROLATUM TAPE SYSTEM THEN COVER FLANGE WITH TWO LAYERS OF POLYETHYLENE SLEEVING INDIVIDUALLY INSTALLED AND FASTENED.
- CONCRETE FOR THRUST AND ANCHOR BLOCKS SHALL BE CLASS N25 IN ACCORDANCE WITH AS.1379 AND AS.3600.
- REINFORCEMENT - MINIMUM COVER 50mm. HORIZONTAL: N16 AT 140mm CENTRES, VERTICAL: N12 AT 150 CENTRES, CUT BARS LESS THAN 300mm MAY BE OMITTED.
- PUDDLE FLANGE TO BE:
 - INTEGRALLY CAST WITH PIPE OR
 - BOLT-ON WITH NOMINAL INTERFERENCE FIT INTO GROOVE MACHINED ON THE OUTSIDE SURFACE OF A FLANGE CLASS PIPE, IN COMPLIANCE WITH CLAUSE 3.3 OF AS/NZS 2280 AND FIGURE H18.
- FOR DN450 MAINS, USE RESILIENT-SEATED VALVE WITH DN100 OR DN150 INTEGRAL BY-PASS.
- FOR DN375 AND DN450 MAINS, ADDITIONAL COVER TO MAIN MAY BE REQUIRED TO ENSURE TOP OF VALVE DOES NOT PROTRUDE ABOVE SURFACE LEVEL.
- FOR MSCL MAINS, THE USE OF A COMPOUND FITTING WITH FLANGE ENDS, THE PUDDLE FLANGE OR THRUST COLLAR AND DN80 FLANGED OFF-TAKE IS PERMITTED.
- TESTING AND CHLORINATION/DISINFECTION AS DETAILED - SEE "DISINFECTION PROCEDURE FOR WATER MAIN AND SERVICES" ON PWC WEB SITE.
- WHERE REQUIRED INSTALL SHROUD AND SURFACE BOX AS PER STD. DRG. W1-02-03J.
- CONNECTION VIA FLANGE, SOCKET OR GIBALUT AS PER STANDARD REQUIREMENTS.
- FLANGE BOLTS AND NUTS TO BE TIGHTENED TO MANUFACTURES RECOMMENDATIONS AND SEQUENCES USING A TORQUE WRENCH.

2	GENERAL AMENDMENTS 2021.	PW	DEC'21	JR	DC
1	NEW DRAWING 2020 - ISSUED FOR REVIEW	PW	OCT'20	JR	DC
NO	DESCRIPTION	DRN	DATE	CKD	APPD
AMENDMENTS					



DES	R.JENNINGS	WATER STANDARD DRAWING			
DRN	R.INNES	MAINLAYING			
CHK	R.JENNINGS	IN-LINE CONNECTION			
APPD	J.PUDNEY	DN100 - DN450			
SCALE	N.T.S.	A3	DRAWING NUMBER	W1-2-20	2
ISSUED	JUN' 07				
ALL DIM. IN mm		CAD PRODUCT - DO NOT AMEND MANUALLY			AMDT
DRAFTING STANDARD TO A.S.1100					