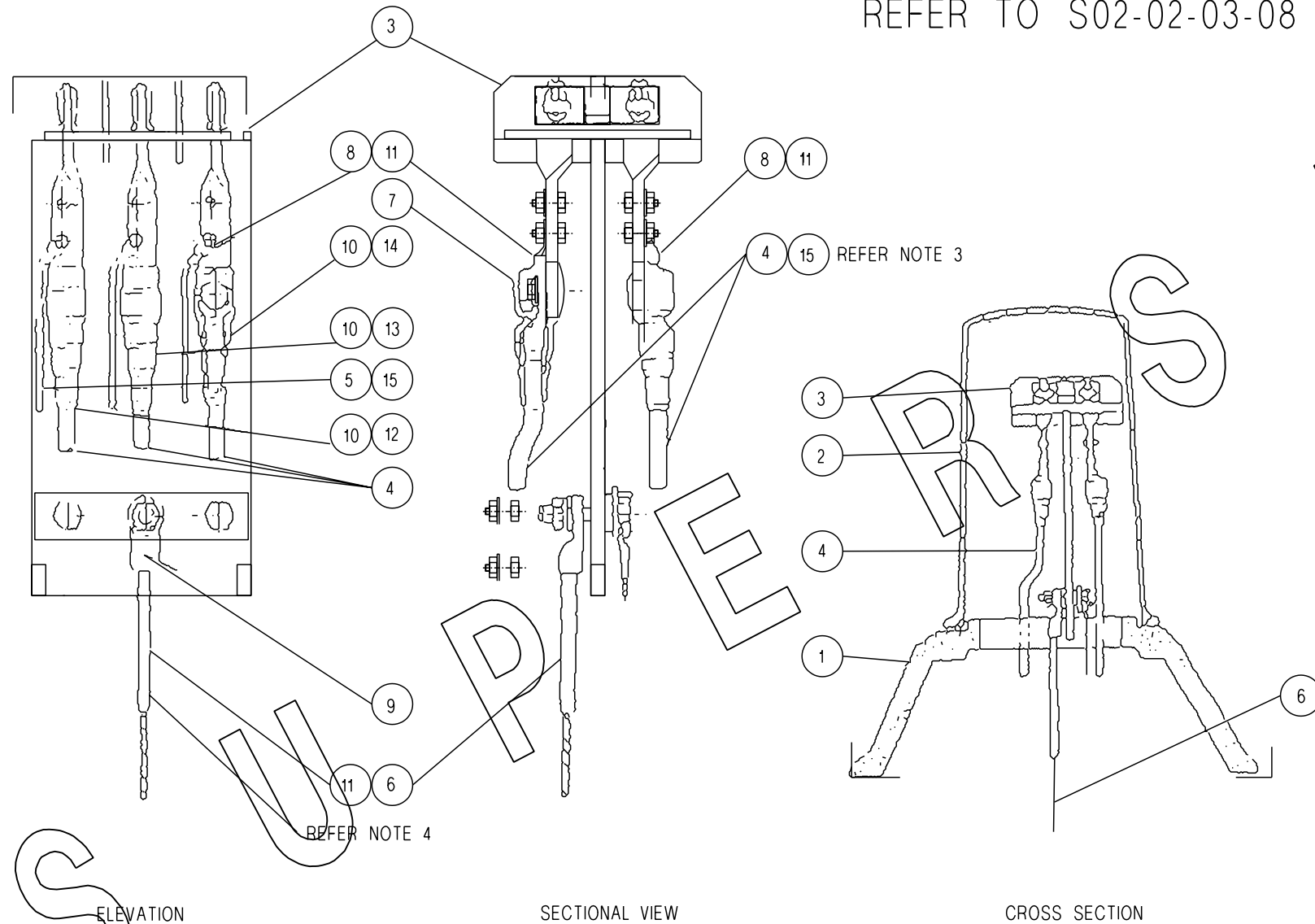


NOT FOR NEW CONSTRUCTION

REFER TO S02-02-03-08

NOTES

- 1 PHASE SEQUENCE - RED, WHITE, BLUE - WITH RED PHASE CLOSEST TO THE ROAD.
- 2 FOR HEATSHRINK INSTALLATION DETAILS, REFER TO DRG S02-02-02-10.
- 3 MARKERS ARE TO BE ATTACHED TO ALL 'MAINS' CABLES AND ALL 'SERVICE' CABLES, INDICATING THEIR DESTINATION.
- 4 HEATSHRINK TUBING TO BE PLACED OVER BARE NEUTRAL/ EARTHING CONDUCTOR TO A MINIMUM OF 300mm BELOW GROUND LEVEL.



ELEVATION

SECTIONAL VIEW

CROSS SECTION

CABLE and PANEL INSTALLATION ARRANGEMENT

PILLAR INSTALLATION ARRANGEMENT

Scale 1:5

Scale 1:10

TAG No	QTY	DESCRIPTION	STOCK CODE	DRG REF
15	AR	MARKER - UNILABEL & CHANNEL (CRITCHLEY) SIZE 5	NSI	-
14	2	TUBING - HEATSHRINK - BLUE 38-19mm	4218	S02-01-02-15
13	2	TUBING - HEATSHRINK - WHITE 38-19mm	4192	S02-01-02-15
12	2	TUBING - HEATSHRINK - RED 38-19mm	4184	S02-01-02-15
11	AR	TUBING - HEATSHRINK - BLACK 35-12mm	3228	S02-01-02-15
10	AR	TUBING - HEATSHRINK - BLACK 50-16mm	3210	S02-01-02-15
9	1	LUG - CABLE - BOLTED 95sq.mm	5801	-
8	AR	LUG - BI-METAL COMPRESSION 25sq.mm	5215	-
7	6	LUG - BI-METAL COMPRESSION 185sq.mm	5280	-
6	AR	CONDUCTOR - EARTHING - COPPER 95sq.mm	9811	S01-01-05-05
5	AR	CABLE - SERVICE - XLPE 25sq.mm	9340	S02-01-01-19
4	AR	CABLE - MAIN - XLPE 185sq.mm	9316	S02-01-01-19
3	1	PANEL - DISTRIBUTION PILLAR - LINK TYPE	3491	S02-01-03-04
2	1	COVER - DISRIBUTION PILLAR	3582	S02-01-03-01
1	1	BASE - DISTRIBUTION PILLAR	3533	S02-01-03-01

MATERIAL SCHEDULE

NO	DESCRIPTION	DRN	DATE	CKD	APPD
3	PHASING REFERRED TO THE ROAD	C.McL	NOV'10	A.T.	S.C.
2	SUPERSEDED BY S02-02-03-08	J.C.	MAY'09	B.C.	S.C.
1	TAG No. 9 REVISED	G.McK	AUG'93	B.T.K.	B.T.K.

AMENDMENTS



DES	N.F.S.
DRN	C.W.M.
CKD	N.STUBBS
APPD	B.T.KENT
SCALE	AS SHOWN
ISSUED	NOV'92
ALL DIM. IN mm	
DRAFTING STANDARD TO A.S.1100	

N.T.STANDARD DRAWING
DISTRIBUTION PILLARS
RESIDENTIAL - LINK TYPE
BARE NEUTRAL ARRANGEMENT

A3

DRAWING NUMBER

S02-02-03-07

3

AMDT

CAD PRODUCT - DO NOT AMEND MANUALLY