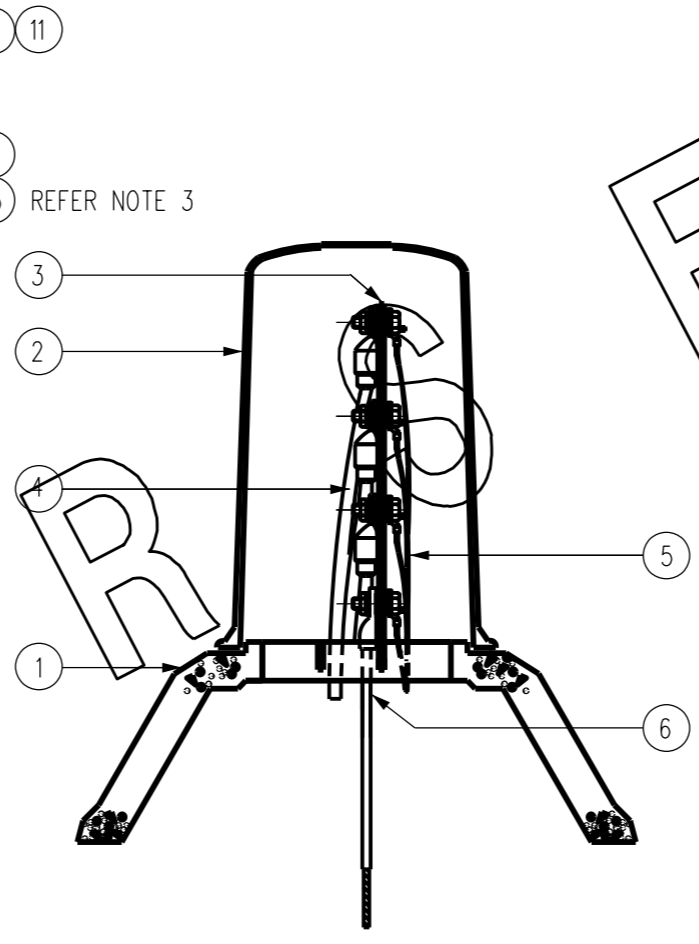


ELEVATION

SECTIONAL VIEW

CABLE AND PANEL INSTALLATION ARRANGEMENT

Scale 1:5



CROSS SECTION

PILLAR INSTALLATION ARRANGEMENT

Scale 1:10

NOTES

- 1 PHASE SEQUENCE - RED, WHITE, BLUE - TOP TO BOTTOM
- 2 FOR HEATSHRINK INSTALLATION DETAILS, REFER TO DRG S02-02-02-10
- 3 MARKERS ARE TO BE ATTACHED TO ALL 'MAINS' CABLES AND ALL 'SERVICE' CABLES, INDICATING THEIR DESTINATION.
- 4 HEATSHRINK TUBING TO BE PLACED OVER BARE NEUTRAL/ EARTHING CONDUCTOR TO A MINIMUM OF 300mm BELOW GROUND LEVEL.
- 5 SERVICES EXCEEDING 25sqmm TO BE CONNECTED TO LINE SIDE OF BUSBAR. CURRENTS EXCEEDING 100AMPS MUST NOT BE CONDUCTED THROUGH STAINLESS STEEL BOLTS.

TAG NO	QTY	DESCRIPTION	STOCK CODE	DRG REF
15	AR	MARKER - UNILABEL & CHANNEL (CRITCHLEY) SIZE 5	NSI	-
14	2	TUBING - HEATSHRINK - BLUE 38-19mm	4218	S02-01-02-15
13	2	TUBING - HEATSHRINK - WHITE 38-19mm	4192	S02-01-02-15
12	2	TUBING - HEATSHRINK - RED 38-19mm	4184	S02-01-02-15
11	AR	TUBING - HEATSHRINK - BLACK 35-12mm	3228	S02-01-02-15
10	AR	TUBING - HEATSHRINK - BLACK 50-16mm	3210	S02-01-02-15
9	1	LUG - COPPER COMPRESSION - 95sqmm	156232	-
8	AR	LUG - COPPER COMPRESSION 25sqmm	5470	-
7	6	LUG - BI-METAL COMPRESSION 185sqmm	5280	-
6	AR	CONDUCTOR - EARTHING - COPPER 95sqmm	9811	S01-01-05-05
5	AR	CABLE - SERVICE - XLPE 25sqmm	9340	S02-01-01-19
4	AR	CABLE - MAIN - XLPE 185sqmm	9316	S02-01-01-19
3	1	PANEL - DISTRIBUTION PILLAR - RESIDENTIAL TYPE	3517	S02-01-03-05
2	1	COVER - DISTRIBUTION PILLAR	3582	S02-01-03-01
1	1	BASE - DISTRIBUTION PILLAR	3533	S02-01-03-01

MATERIAL SCHEDULE

NO	DESCRIPTION	DRN	DATE	CKD	APPD
3	SUPERSEDED BY S02-02-03-08	J.C.	MAY'09	B.C.	S.C.
AMENDMENTS					



DES	N.F.S	POWER STANDARD DRAWING		
DRN	gmck	DISTRIBUTION PILLARS RESIDENTIAL - SERVICE TYPE BARE NEUTRAL ARRANGEMENT		
CKD	N.Stubbs			
APPD	B.T.Kent			
SCALE	as shown			
ISSUED	NOV'96	A3	DRAWING NUMBER	S02-02-03-06
ALL DIM.	IN mm			
DRAFTING STANDARD TO A.S.1100		CAD PRODUCT - DO NOT AMEND MANUALLY		 AMDT