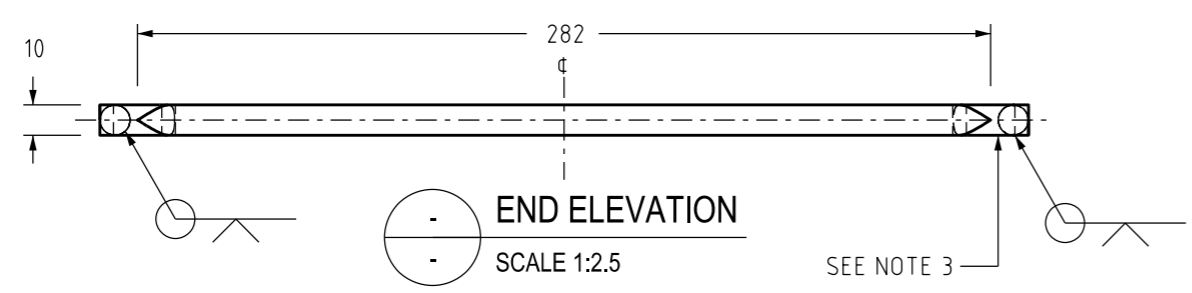
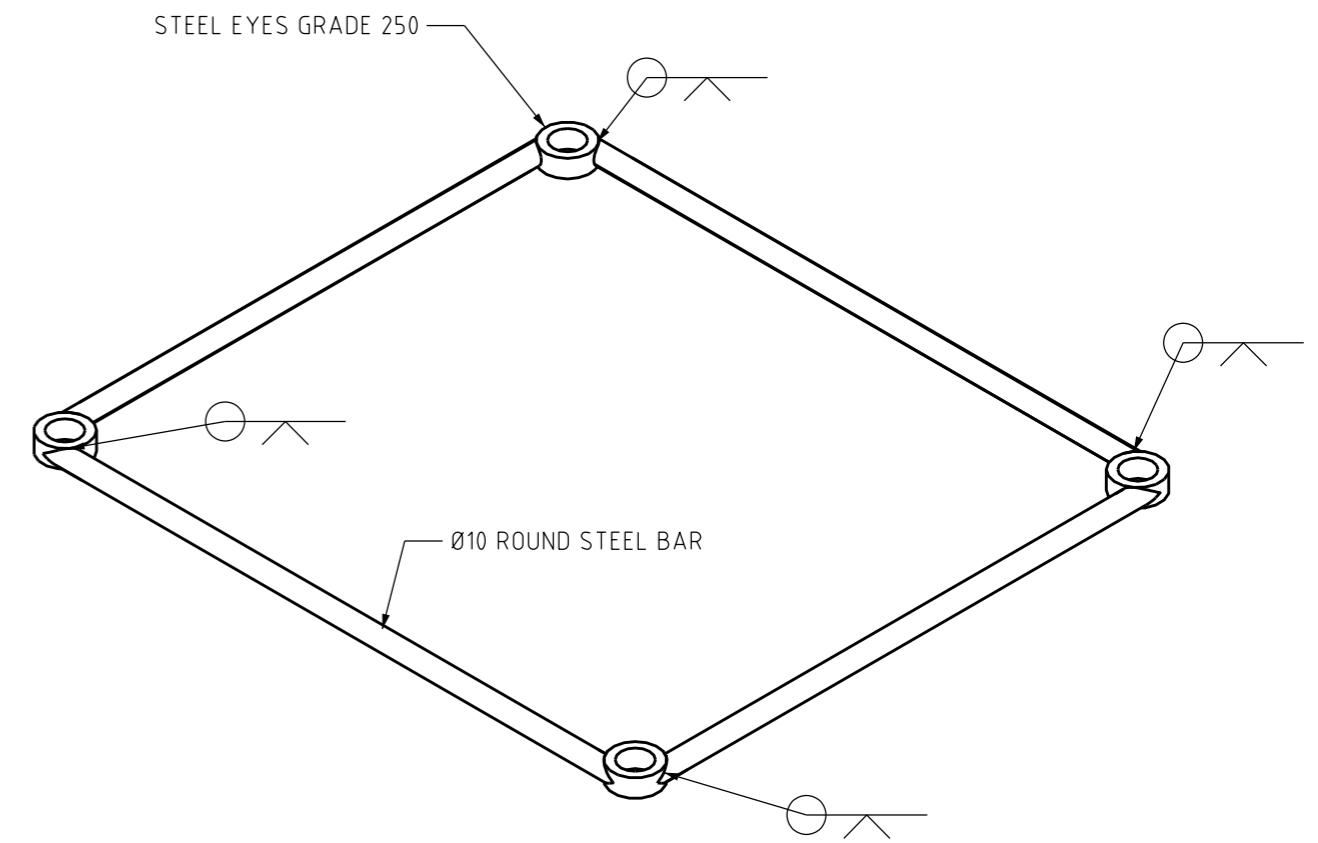


PLAN VIEW  
SCALE 1:2.5



END ELEVATION  
SCALE 1:2.5



ISOMETRIC VIEW  
SCALE N.T.S.

ITEM NUMBER: 413423

NOTES:

1. ALL JOINTS TO BE 'V' BUTT WELDED ALL AROUND
2. ALL EDGES TO BE DEBURRED AND WELDS GROUND FLUSH
3. COMPLETE ASSEMBLY TO BE HOT DIP GALVANISED IN ACCORDANCE WITH AS 4680 WITH AN AVERAGE COATING THICKNESS NO LESS THAN 85 MICRON, WITH A LOCAL COATING THICKNESS NO LESS THAN 70 MICRON.
4. FABRICATION TO COMPLY WITH PWC SPECIFICATION STSP 01-002.
5. STEEL TO BE GRADE 250

1	REVERT TO STEEL FABRICATED VERSION	H.E.	NOV'20	B.V.	B.C.
0	ISSUED FOR CONSTRUCTION	C.C.	JUL'20	B.V.	B.C.
NO	DESCRIPTION	DRN	DATE	CKD	APPD
AMENDMENTS					



DES	B.VANDERSTELT	POWER STANDARD DRAWING			
DRN	C.COPPINS	DISTRIBUTION PILLAR RESIDENTIAL REINFORCING COLLAR			
CKD	B.VANDERSTELT				
APPD	B.CHEUNG				
SCALE	AS SHOWN				
ISSUED	MAY 2020	A3	DRAWING NUMBER	S02-01-09-07	
ALL DIM. IN	mm				
DRAFTING STANDARD TO A.S.1100		CAD PRODUCT - DO NOT AMEND MANUALLY			AMDT