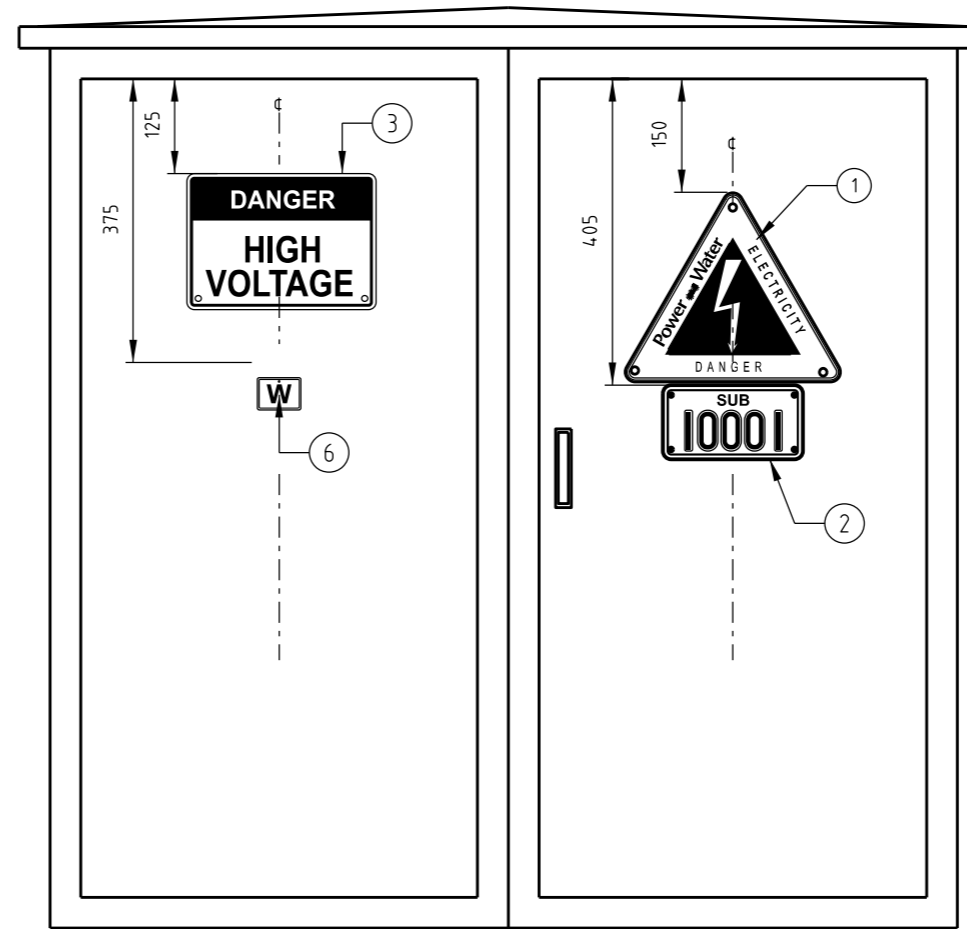
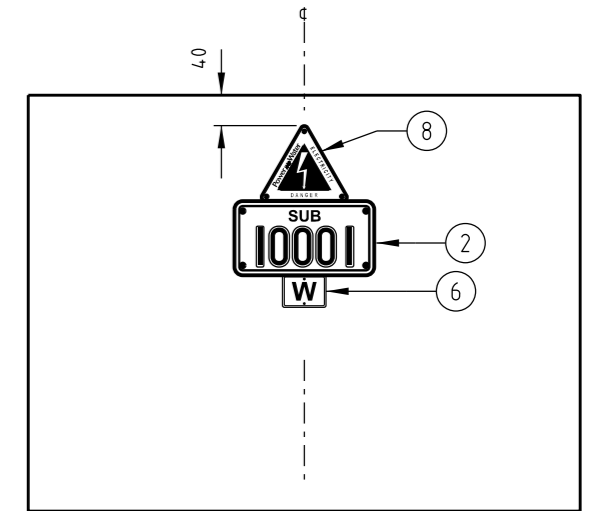


7000 SERIES PACKAGE SUBSTATIONS

SIGNS AS PER AS 3000, AS 1319, AS 1744



SINGLE PHASE DOOR OPENING PACKAGE SUBSTATIONS



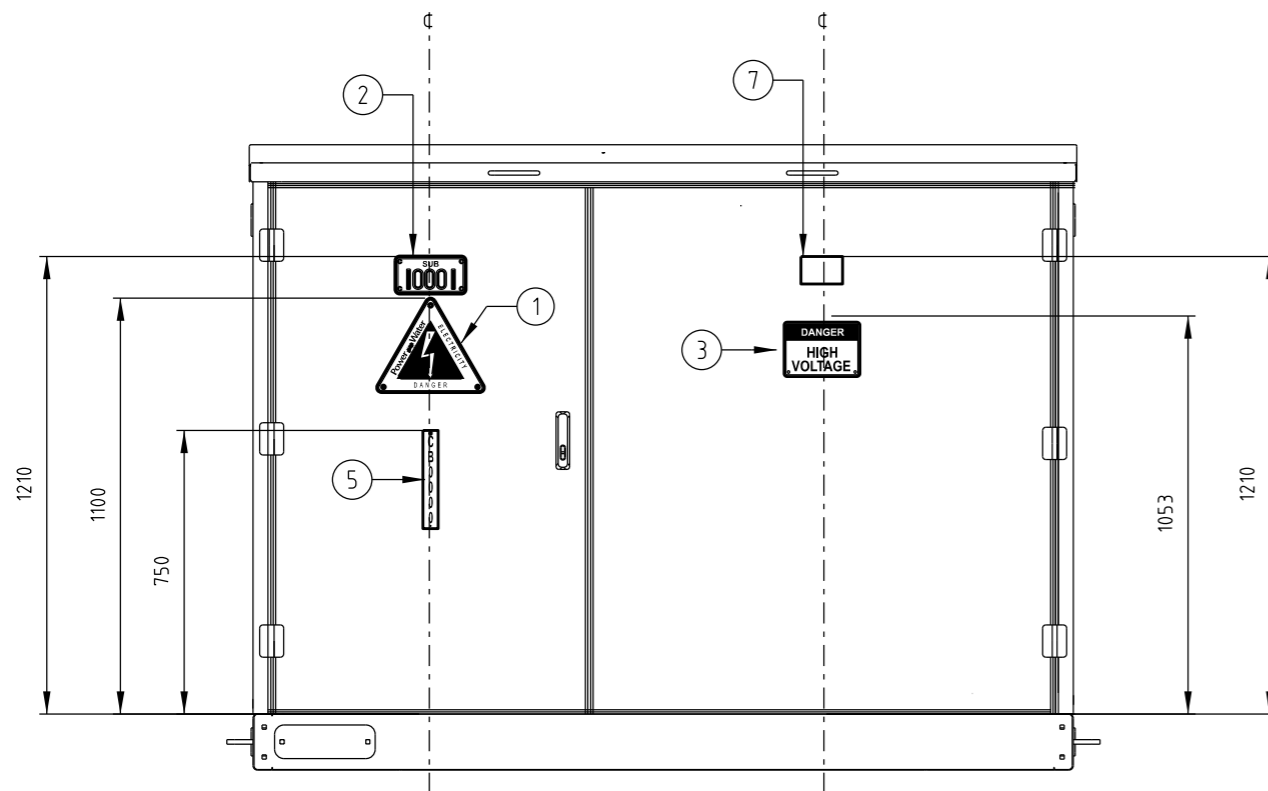
SINGLE PHASE LID OPENING PACKAGE SUBSTATIONS

8	SIGN - "DANGER ELECTRICITY" 100mm STICKER	MANUFACTURER	412496	S02-01-08-03
7	SIGN - POWERWATER CONTACT	MANUFACTURER	-	S02-01-08-35
6	SIGN - PHASE LABEL - SET OF 3 ('R', 'W', 'B') AS REQUIRED	PWC	7591	S02-01-08-02
5	SIGN - STREET LIGHT CONTROLLER (AS REQUIRED)	PWC	-	S03-01-05-02
4	SIGN - "PROHIBITION - AUTHORISED PERSONS ONLY" 450 x 180mm	MANUFACTURER	406856	S02-01-08-31
3	SIGN - "DANGER - HIGH VOLTAGE" 250 x 180mm	MANUFACTURER	6429	S02-01-08-01
2	SIGN - SUB NUMBER	PWC	-	S02-01-08-14
1	SIGN - "DANGER-ELECTRICITY" 250mm	MANUFACTURER	6486	S02-01-08-03
ITEM	DESCRIPTION	INSTALLED BY	ITEM NUMBER	STANDARD DWG.
MATERIAL SCHEDULE				

8	REFORMATTED SCHEDULE WITH UPDATED DESCRIPTIONS. CHANGED SIGNS FOR DOOR SPUD.	A.N.	NOV'20	B.V.	B.C.
7	INCLUDED MKII & MKIII SUBS, & AMENDED 75kVA SINGLE PHASE SUB	C.C.	FEB'19	B.V.	B.C.
6	UPDATE ITEM 3 ITEM NUMBER	C.C.	DEC'18	B.V.	B.C.
5	SINGLE PHASE PACKAGE SUBSTATIONS ADDED	A.T.	MAY'13	B.C.	B.C.
4	DIMENSIONS ADDED	C.C.	JUL'11	A.T.	S.C.
3	STREET LIGHT CONTROLLER NUMBER PLATE ADDED	J.C.	JUN'10	A.T.	S.C.
NO	DESCRIPTION	DRN	DATE	CKD	APPD
AMENDMENTS					

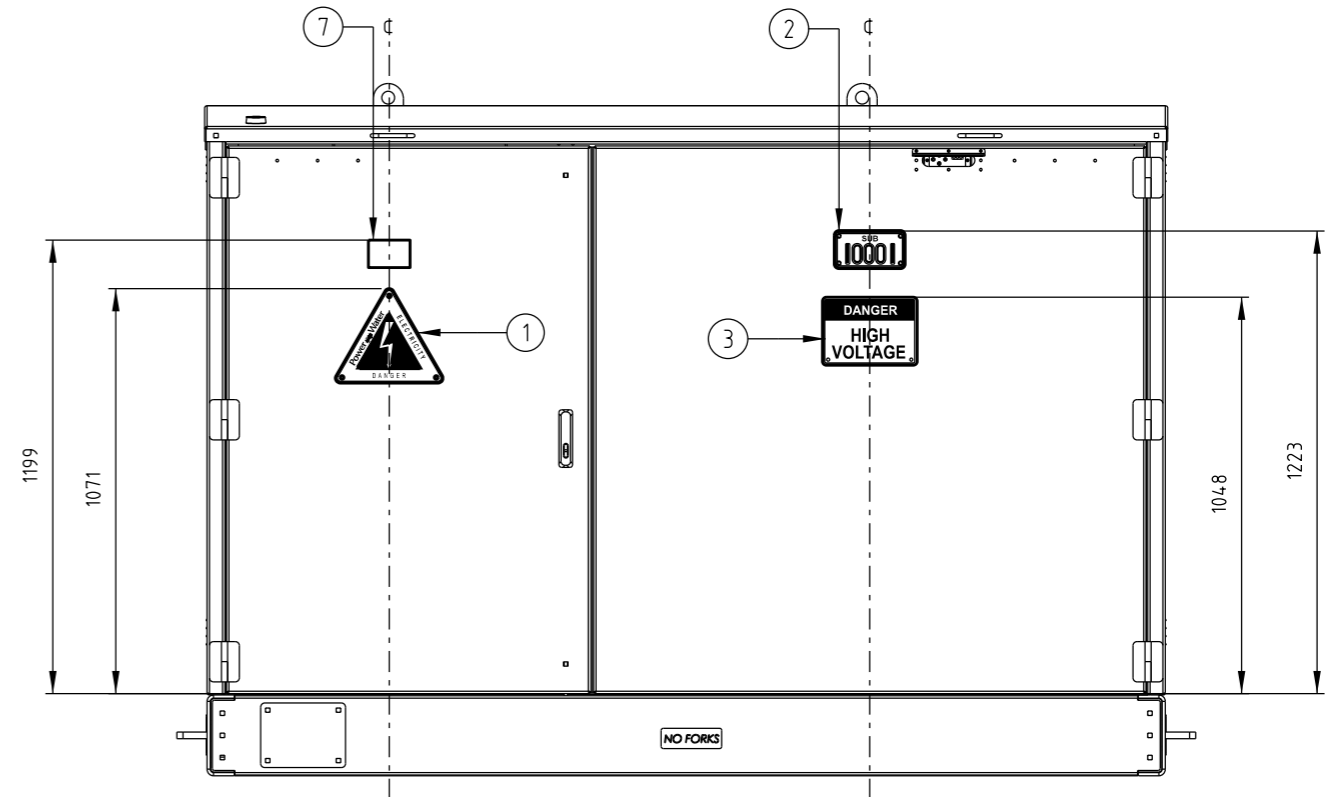
**PowerWater**  
NORTHERN TERRITORY

DES	PWC	POWER STANDARD DRAWING			
DRN	A.S.	SIGNS SUBSTATION PACKAGE (SHEET 1 OF 2)			
CKD	B.CHEUNG				
APPD	...	A3	DRAWING NUMBER	S02-01-08-29_1	8
SCALE	N.T.S.				
ISSUED	JULY 2006				
ALL DIM. IN mm					
DRAFTING STANDARD TO A.S.1100		CAD PRODUCT - DO NOT AMEND MANUALLY			AMDT



MKII PACKAGE SUBSTATIONS FRONT ELEVATION

SCALE 1: 20



MKIII PACKAGE SUBSTATIONS FRONT ELEVATION

SCALE 1: 20

8	SIGN - "DANGER ELECTRICITY" 100mm STICKER	MANUFACTURER	412496	S02-01-08-03
7	SIGN - POWERWATER CONTACT	MANUFACTURER	-	S02-01-08-35
6	SIGN - PHASE LABEL - SET OF 3 ('R', 'W', 'B') AS REQUIRED	PWC	7591	S02-01-08-02
5	SIGN - STREET LIGHT CONTROLLER (AS REQUIRED)	PWC	-	S03-01-05-02
4	SIGN - "PROHIBITION - AUTHORISED PERSONS ONLY" 450 x 180mm	MANUFACTURER	406856	S02-01-08-31
3	SIGN - "DANGER - HIGH VOLTAGE" 250 x 180mm	MANUFACTURER	6429	S02-01-08-01
2	SIGN - SUB NUMBER	PWC	-	S02-01-08-14
1	SIGN - "DANGER-ELECTRICITY" 250mm	MANUFACTURER	6486	S02-01-08-03
ITEM	DESCRIPTION	INSTALLED BY	ITEM NUMBER	STANDARD DWG.
MATERIAL SCHEDULE				

9	REFORMATTED TABLE AND UPDATED DESCRIPTIONS. CONSOLIDATED COMMON DANGER SIGNS. ADDED PWC CONTACT SIGN.	A.N.	NOV'20	B.V.	B.C.
8	SHEET 1 AMENDED	C.C.	JUN'20	B.V.	B.C.
7	INCLUDED MKII & MKIII SUBS, & AMENDED 75kVA SINGLE PHASE SUB	C.C.	FEB'19	B.C.	B.V.
NO	DESCRIPTION	DRN	DATE	CKD	APPD
AMENDMENTS					

**PowerWater**  
NORTHERN TERRITORY

DES	B.VANDERSTELT	POWER STANDARD DRAWING			
DRN	C.COPPINS	SIGNS SUBSTATION PACKAGE (SHEET 2 OF 2)			
CKD	B.CHEUNG				
APPD	B.VANDERSTELT	A3	DRAWING NUMBER	S02-01-08-29_2	
SCALE	AS SHOWN				
ISSUED	FEBRUARY 2019	AMDT			
ALL DIM. IN mm					
DRAFTING STANDARD TO A.S.1100		CAD PRODUCT - DO NOT AMEND MANUALLY			