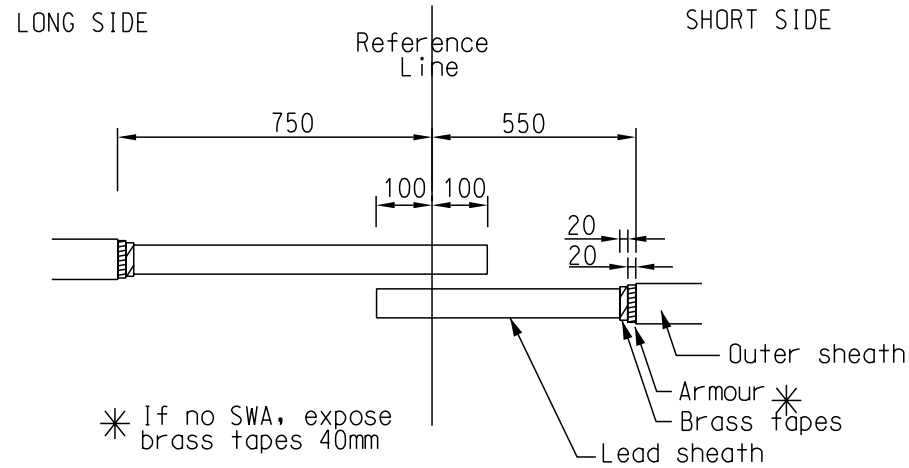
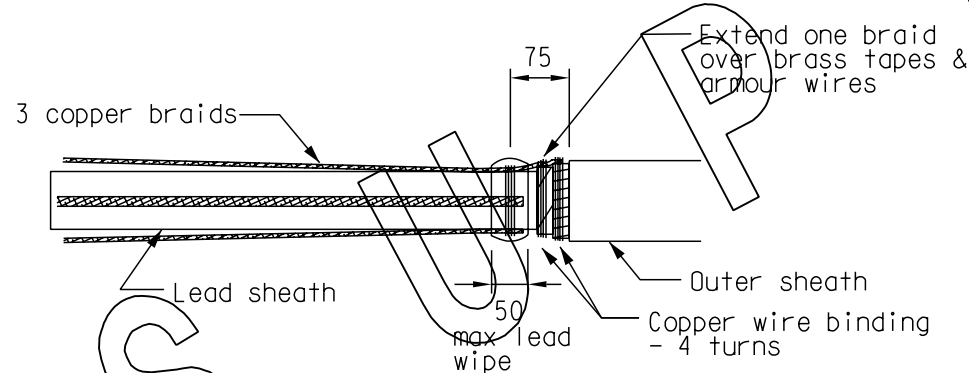


1. OVERLAP PILC CABLES 200mm. REMOVE OUTER SHEATH, ARMOUR AND BRASS TAPES TO THE DIMENSIONS SHOWN. MARK CENTRE OF OVERLAP AS A REFERENCE LINE AND COVER CABLES WITH PLASTIC WRAP 1.8m EACH SIDE OF REF LINE.

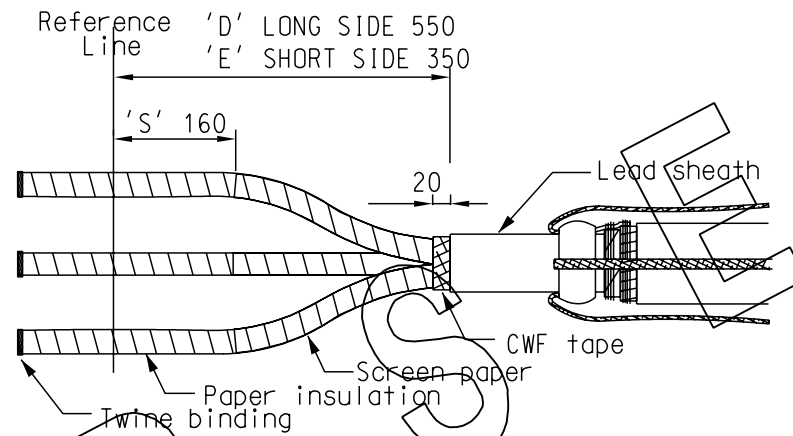


2. STARTING ON ONE CABLE, CLEAN LEAD SHEATH, BRASS TAPES AND ARMOUR. CUT EARTH BRAIDS IN HALF AND POSITION AS SHOWN. BIND TO LEAD SHEATH, BRASS TAPES AND ARMOUR WITH COPPER WIRE. SOLDER TO LEAD SHEATH AND BRASS TAPES. PLUMB BRAIDS TO LEAD SHEATH. DO NOT OVERHEAT THE LEAD SHEATH. FOLD BRAIDS BACK ALONG CABLE AND TEMPORARILY TAPE IN POSITION.

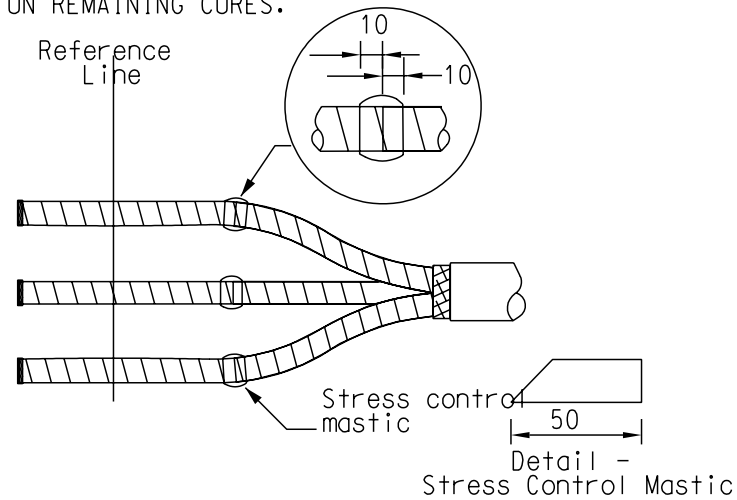


PAWA Cables: 11kV PILC 300mm² Al S02-01-01-02
11kV PILC 400mm² Al S02-01-01-03

3. REMOVE LEAD SHEATH TO DIMENSION 'D' (LONG SIDE) OR 'E' (SHORT SIDE). DO NOT DAMAGE THE UNDERLYING SCREEN PAPERS ON THE CORES. UNWIND THE COPPER WOVEN FABRIC (CWF) TAPE, REMOVE FILLERS FROM BETWEEN CORES. REWIND THE CWF TAPE AROUND THE CORES AT THE CRUTCH TO THE DIMENSION SHOWN AND TIE OFF. TIE A TWINE BINDER AROUND THE SCREEN PAPERS TO DIMENSION 'S'. REMOVE SCREEN PAPERS BY UNWINDING AND TEARING CAREFULLY AGAINST THE BINDER. BIND THE INSULATING PAPERS AT THE ENDS OF THE CORES WITH A FEW TURNS OF TWINE.



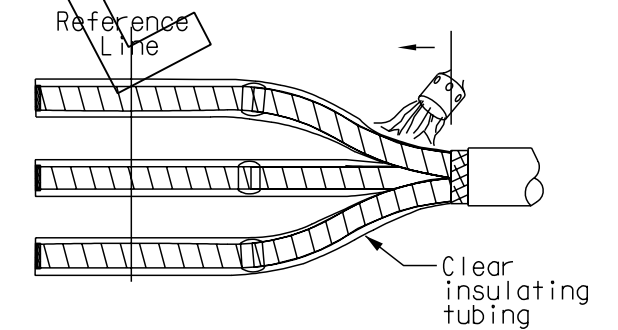
4. CUT A 50mm PIECE FROM THE YELLOW STRESS CONTROL MASTIC, REFER DETAIL. PLACE THE POINT OF THE MASTIC AT THE EDGE OF THE SCREEN PAPER ON ONE OF THE CORES. TENSION THE MASTIC TO HALF ITS ORIGINAL WIDTH WHILE APPLYING 4-5 TURNS, OVERLAPPING THE SCREEN AND INSULATION PAPERS BY 10mm. REPEAT ON REMAINING CORES.



5. SLIDE THE CLEAR INSULATING TUBINGS OVER THE CORES PUSHING THEM AS FAR INTO THE CRUTCH AS POSSIBLE. SHRINK DOWN EVENLY STARTING AT THE CRUTCH AND WORKING TOWARDS THE CORE ENDS. ENSURE THERE ARE NO POCKETS OF TRAPPED AIR OR GREASE.

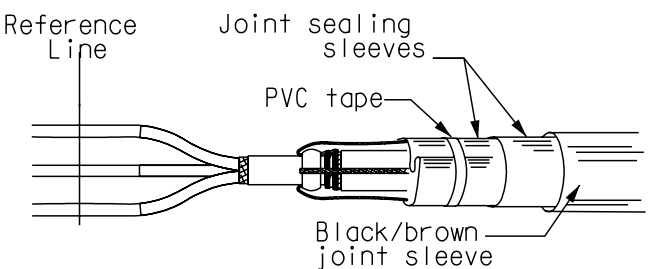
BEFORE BENDING OR SETTING THE CORES PROTECT THE CRUTCH WITH COTTON TAPE (WHICH IS REMOVED AT STEP 10).

CAREFULLY MARK THE REFERENCE LINE ON THE CORES. TEMPORARILY PROTECT THE PREPARED CORES FROM DIRT WITH PLASTIC WRAP.



REPEAT STEPS 2 - 5 ON THE SECOND CABLE

6. PILC - SLIDE ONE OF THE JOINT SEALING SLEEVES OVER THE ALREADY PROTECTED CABLE. FOLD AROUND CABLE AND TAPE IN POSITION. SLIDE THE SECOND JOINT SEALING SLEEVE OVER THE FIRST AND THEN THE BLACK/BROWN JOINT SLEEVE OVER THE OTHERS (LEAVE IT IN ITS PROTECTIVE SLEEVE).



7. POSITION THE CORES AND CUT THEM TO BUTT AT THE REFERENCE LINE (REFER STEP 1 FOR DIMENSIONS). CLEAN THE CORES AND SLIDE ONE RED INSULATING TUBE OVER EACH OF THE LONG CORES.

Raychem kits: 300sq.mm EFSJ-11-D
400sq.mm EFSJ-11-E

NO	DESCRIPTION	DRN	DATE	CKD	APPD
1	SUPERSEDED	A.T.	DEC'12	B.C.	B.C.
AMENDMENTS					

PowerWater
NORTHERN TERRITORY

DES	JEH/ICV 9/96	POWER STANDARD DRAWING	
DRN	R. INNES	CABLE JOINTING & TERMINATIONS	
CKD	-	RAYCHEM JOINTING INSTRUCTIONS	
APPD	F. ROBSON	11kV 3C. 300 & 400sq.mm AL	
SCALE	NO SCALE	SCREENED PILC	
ISSUED	MAY'98	A3	DRAWING NUMBER S02-02-02-34 SHEET 1 of 3
ALL DIM. IN mm			
DRAFTING STANDARD TO A.S.1100		CAD PRODUCT - DO NOT AMEND MANUALLY	

