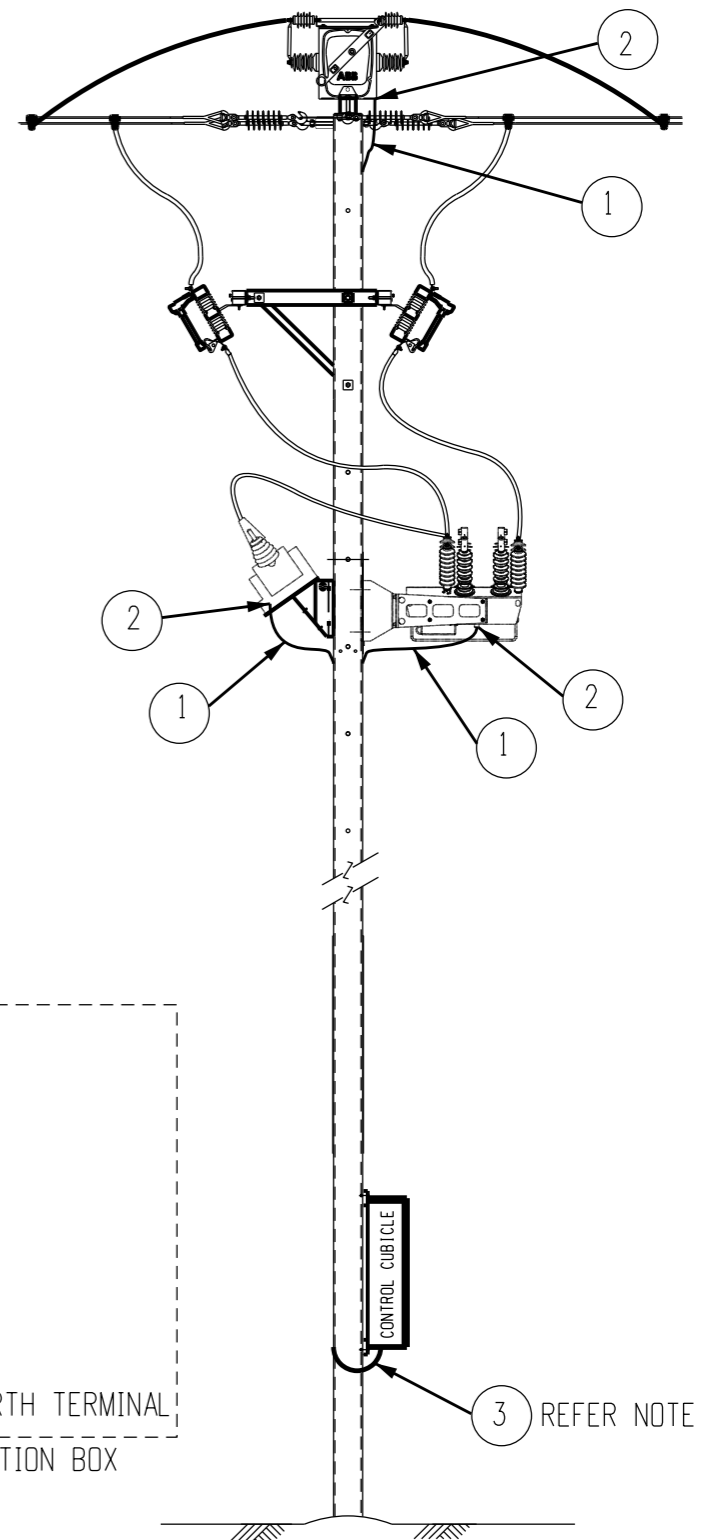
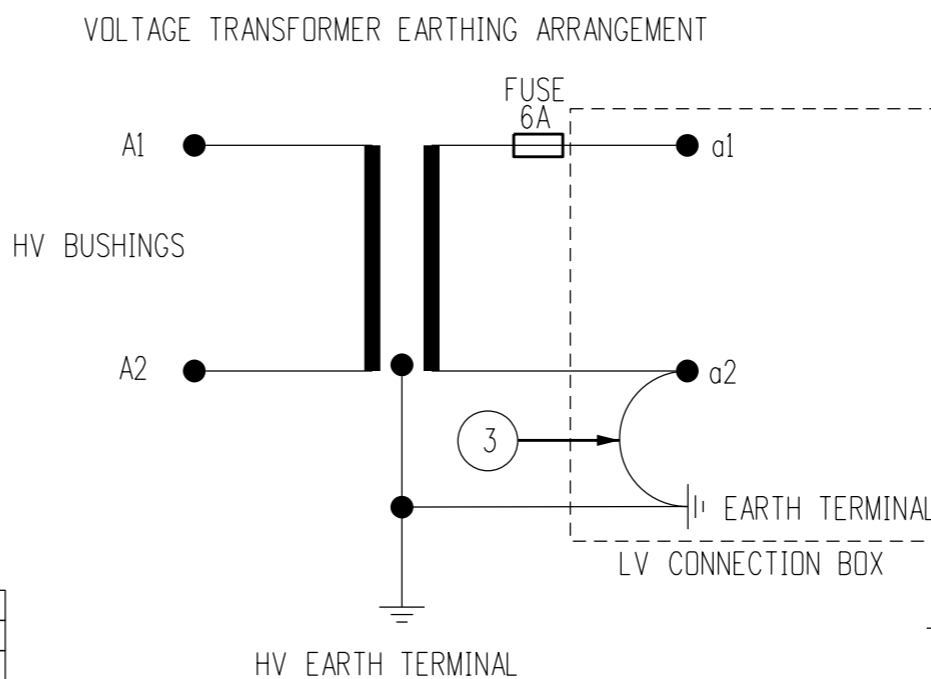
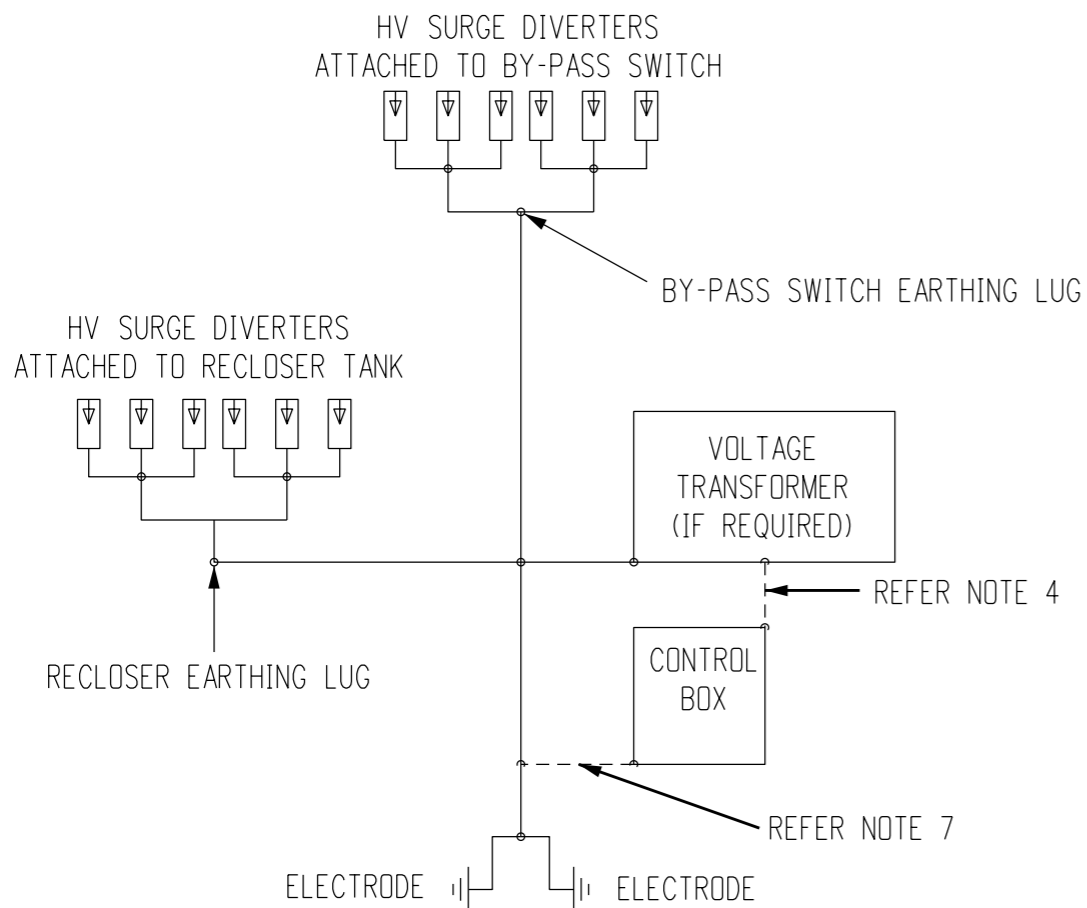


NOTES:

1. FOR RECLOSER GENERAL ARRANGEMENT REFER TO S01-02-07-12 SHEET 2. FOR DETAILS OF THE VOLTAGE TRANSFORMER, REFER TO S01-01-09-04 & S02-01-09-05.
2. FOR UNDERGROUND EARTHING ARRANGEMENT REFER TO EITHER S01-02-03-11, S01-02-03-12 OR S01-02-03-13.
3. ARRANGEMENT SHOWN IS FOR A VT POWERED CONTROL BOX.
4. WHERE THE CONTROL BOX POWER IS SUPPLIED BY A VT, CONTROL BOX POWER SUPPLY ACTIVE, NEUTRAL AND EARTH SHALL COME FROM THE VT.
5. WHEN A VT IS USED BOND THE a2 TERMINAL TO THE EARTH TERMINAL INSIDE THE LV CONNECTION BOX
6. WHERE THE CONTROL BOX POWER IS SUPPLIED BY AN EXISTING LV NETWORK, THE POWER SUPPLY ACVTIVE AND NEUTRAL SHALL BE CONNECTED TO THE LV NETWORK.
7. WHERE THE CONTROL BOX POWER IS SUPPLIED BY AN EXISTING LV NETWORK, BOND THE CONTROL BOX EARTH TO THE NEAREST POLE EARTHING STUD.



3	AR	CABLE, 4 SQMM COPPER, YELLOW/GREEN PVC INSULATED	1750	S02-01-01-23
2	6	LUGS FOR 70SQMM COPPER CABLE	5512	S02-01-02-11
1	AR	CABLE, 70SQMM COPPER, YELLOW/GREEN PVC INSULATED	401059	S02-01-01-23
ITEM	QTY	DESCRIPTION	ITEM NUMBER	DWG No.

MATERIAL SCHEDULE

NO	DESCRIPTION	DRN	DATE	CKD	APPD
3	UPDATED NOTE 1 & VT FUSE RATING	A.N.	JUN'21	A.N.	B.C.
2	TITLEBLOCK & DRAWING NUMBERS FORMATTED	K.T.	APR'19	C.C.	C.C.
1	ADDED 2A FUSE	C.M.	NOV'13	B.C.	B.C.
0	ISSUED FOR CONSTRUCTION	A.T.	NOV'12	B.C.	B.C.
AMENDMENTS					



DES	A. TAYLOR	POWER STANDARD DRAWING	
DRN	A. TAYLOR	EARTHING, NOJA RECLOSER AND VOLTAGE TRANSFORMER GENERAL ARRANGMENT	
CKD	B. CHEUNG		
APPD	B. CHEUNG		
SCALE	N.T.S.	A3	DRAWING NUMBER S01-02-03-25
ISSUED	NOV'12		
ALL DIM.	IN mm	DRAFTING STANDARD TO A.S.1100	
			CAD PRODUCT - DO NOT AMEND MANUALLY

