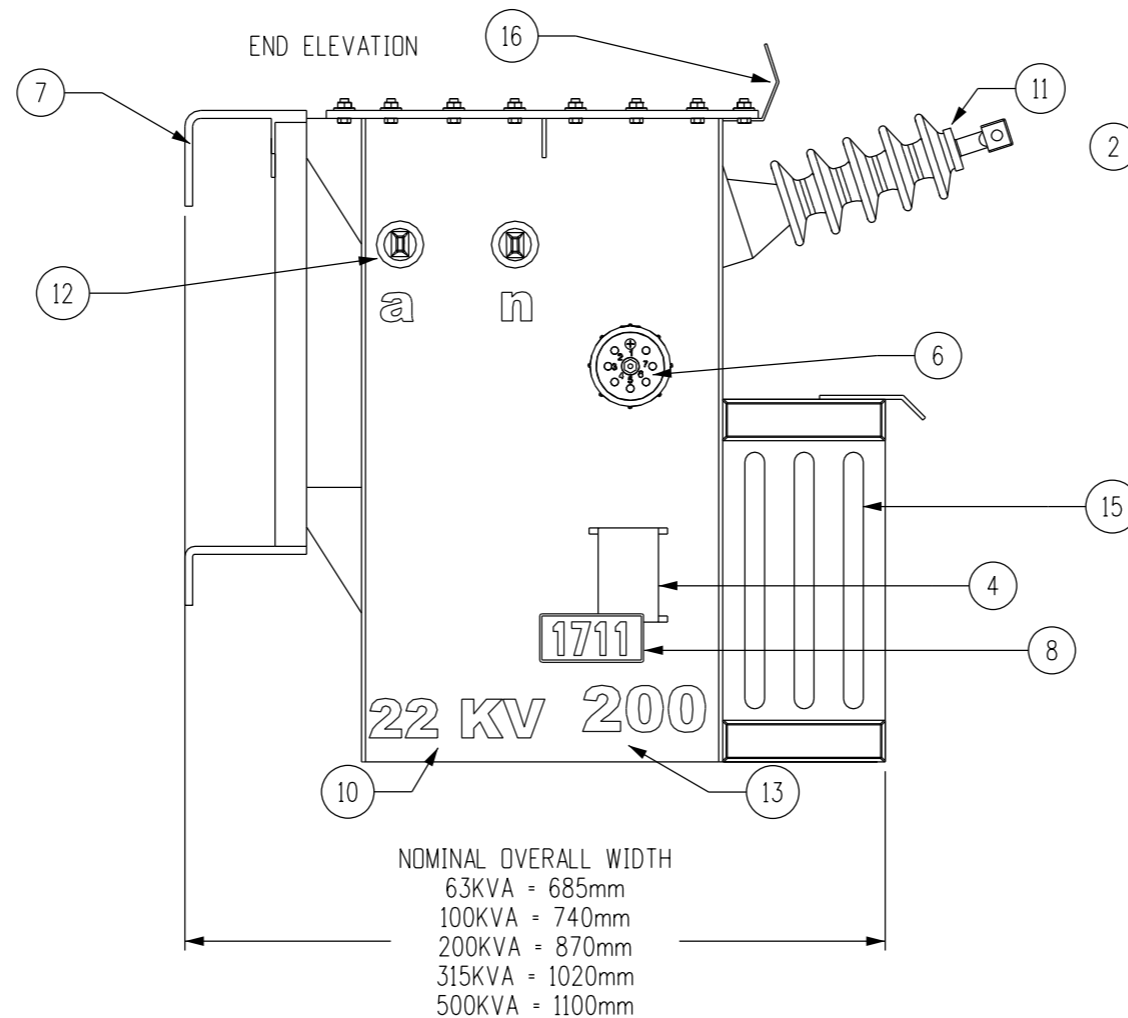
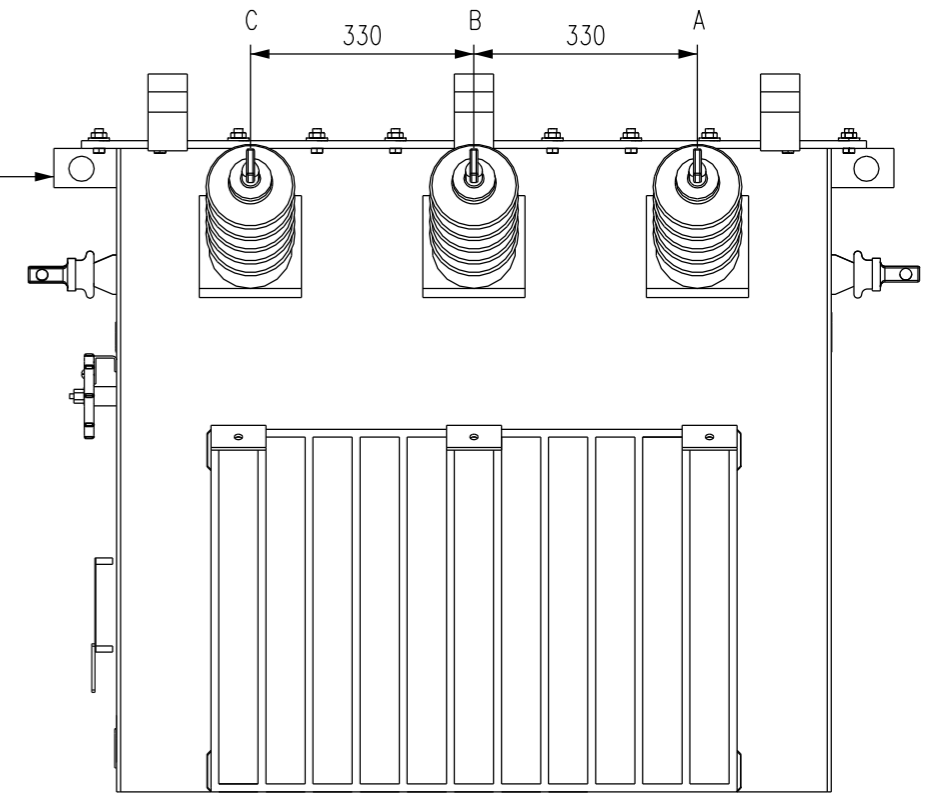


ISOMETRIC ELEVATION



NOMINAL OVERALL WIDTH
 63KVA = 685mm
 100KVA = 740mm
 200KVA = 870mm
 315KVA = 1020mm
 500KVA = 1100mm



FRONT ELEVATION

NOTES:

1. VECTOR GROUPINGS TO BE Dyn1.
2. 7 HV WINDING TAPS TO BE PROVIDED FROM -5% TO +10% IN 2.5% INCREMENTS
3. REFER TO STSP 01-006 FOR ALL OTHER DETAILS.
4. TRANSFORMERS SHALL BE LESS THAN 2400KG

ITEM	SIZE	VOLTAGE		ITEM NUMBER
		PRIM	SEC	
1	200kVA	11kV	400V	172742
2	200kVA	22kV	400V	172874
3	315kVA	11kV	400V	412492
4	315kVA	22kV	400V	412494
5	500kVA	11kV	400V	401026
6	500kVA	22kV	400V	401090
7	100kVA	11kV	400V	172734
8	100kVA	22kV	400V	172866
9	63kVA	11kV	400V	412491
10	63kVA	22kV	400V	413079

ITEM	DESCRIPTION LIST	ITEM	DESCRIPTION LIST
10	TRANSFORMER KV RATING STENCIL		
9	EARTH STUD		
8	NUMBER PLATE BRACKET	17	25 X 6.3 Cu BUSBAR CONNECTING LV NEUTRAL BUSHING TO EARTH TERMINAL
7	HANGER		
6	TAP SELECTOR	16	SURGE DIVERTER SUPPORT HOLES
5	BASE CHANNELS	15	COOLING FINS
4	NAME PLATE	14	-
3	EARTH LUG STAINLESS STEEL	13	TRANSFORMER KVA RATING STENCIL
2	LIFTING LUG	12	LV BUSHING
1	FILLER SPOUT C/W GASKETED FLANGE PLUG	11	HV BUSHING 11kV OR 22kV

NO	DESCRIPTION	DRN	DATE	CKD	APPD
6	CHANGED SECONDARY VOLTAGE TO 400V, UPDATED SPECIFICATION TO STSP 01-006 & REWORDED NOTE 2 AND TITLE	A.N.	SEP'20	C.C.C.	B.C.
5	TITLEBLOCK & DRAWING NUMBER FORMATTED	K.T.	DEC'18	C.C.	C.C.
4	ITEMS No. 4 AND 5 AMENDED	P.H.	APR'18	I.B.	B.C.
	ITEMS 7, 8, 9 AND 10 ADDED, DRAWING RENAMED.				
3	HV AND LV BUSHING ARRANGMENT UPDATED	A.T.	OCT'12	A.T.	B.C.
2	TAGS 10 & 13 UPDATED, TAG 14 REMOVED	K.I.	FEB'07	PWC	B.C.
1	500KVA TXS & STOCK CODES ADDED	K.I.	JUN'05	C.C.	C.C.
AMENDMENTS					



DES	A.BUTLER	POWER STANDARD DRAWING		
DRN	R.INNES	TRANSFORMERS 11kV & 22kV - POLE MOUNTED 63kVA TO 500kVA GENERAL ARRANGEMENT		
CKD	M.BOCK			
APPD	P.DEWAR			
SCALE	NTS			
ISSUED	20/11/96	A3	DRAWING NUMBER	S01-01-09-01
ALL DIM. IN mm				
DRAFTING STANDARD TO A.S.1100		CAD PRODUCT - DO NOT AMEND MANUALLY		AMDT