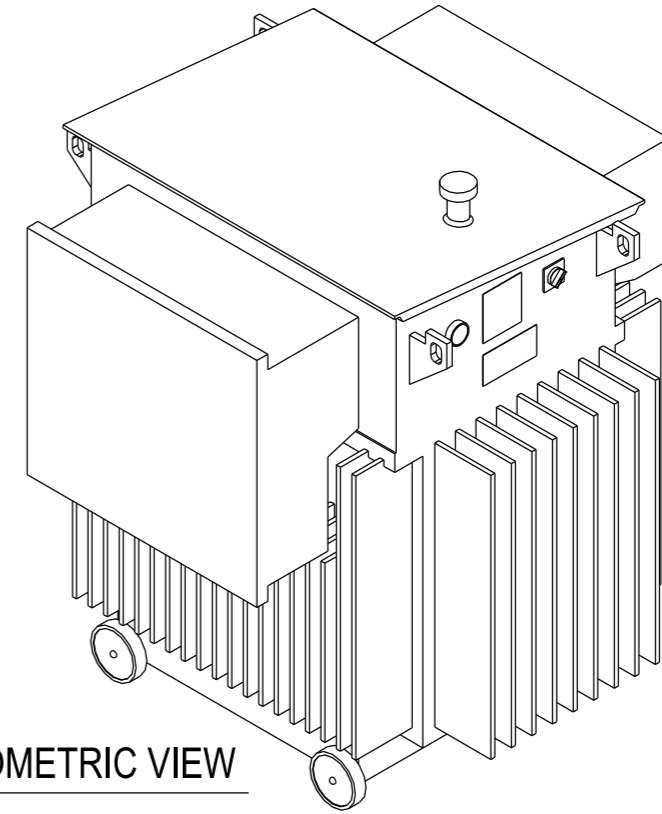


PLAN VIEW

N.T.S.

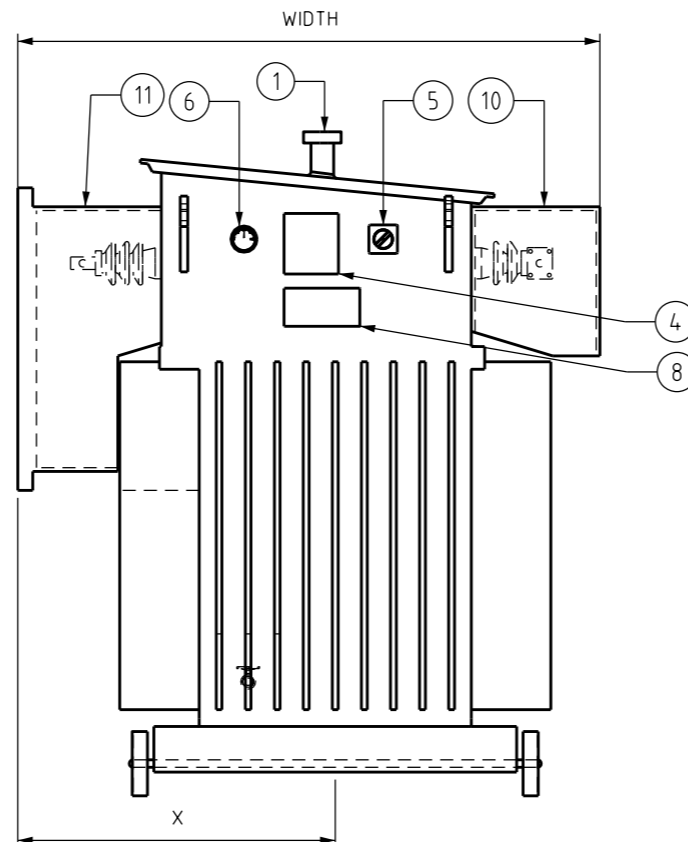
NOTES:

1. TRANSFORMER MUST COMPLY WITH PWC STANDARD TECHNICAL SPECIFICATION STSP 02-007.
2. HV CABLE BOX AND LV TERMINAL COVER TO BE REVERSIBLE.
3. VECTOR GROUPING TO BE Dyn1.
4. HV WINDING TAPS SHALL BE +10% to -5% IN STEPS OF 2.5%.



ISOMETRIC VIEW

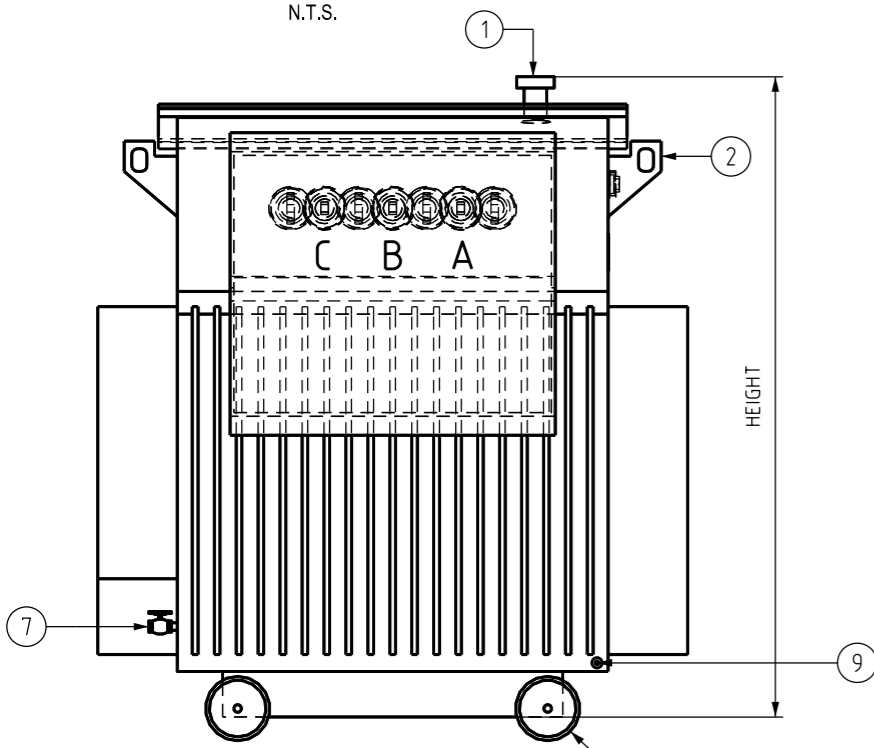
N.T.S.



SIDE ELEVATION

N.T.S.

ITEM	DESCRIPTION
1	FILLER SPOUT cw GASKETED FLANGE PLUG
2	LIFTING LUG
3	DETACHABLE WHEELS
4	NAME PLATE
5	TAP SELECTOR
6	FLUSH TYPE OIL GUAGE
7	DRAIN VALVE 25mm cw GASKETED FLANGE PLUG
8	NUMBER PLATE BRACKET
9	EARTH STUD
10	LV BUSHING COVER
11	HV CABLE BOX cw BRASS GLAND PLATE
12	COOLING FINES



FRONT ELEVATION

N.T.S.

SIZE	VOLTAGE		ITEM NUMBER	HEIGHT	WIDTH	LENGTH	X
	PRIM	SEC					
500kVA	11kV	400V	503540	1741	1992	1404	801
750kVA	11kV	400V	503538	1741	2092	1504	851
1000kVA	11kV	400V	503406	1671	2091	1814	851
1500kVA	11kV	400V	503587	1671	2199	2189	906
500kVA	22kV	400V	503537	1753	1900	1440	820
750kVA	22kV	400V	503536	1741	2082	1549	921
1000kVA	22kV	400V	503542	1741	2152	1579	934

NO	DESCRIPTION	DRN	DATE	CKD	APPD
4	REARRANGED ITEM TABLE, UPDATED SECONDARY VOLTAGES TO 400V & UPDATED NOTES TO STSP 02-007	A.N.	SEP'20	C.C.C.	B.C.
3	UPDATE ITEM NUMBERS & DIMENSIONS	C.C.	JAN'19	B.C.	B.V.
2	OVERALL DIMENSIONS ADDED TO TABLE	A.T.	MAY'14	B.C.	B.C.
1	ITEMS 6, 7 ADDED, NOTE 4 UPDATED	A.T.	FEB'13	B.C.	B.C.

AMENDMENTS



DES	A BUTLER	POWER STANDARD DRAWING	
DRN	R.INNES	TRANSFORMERS	
CKD	M.BOCK	11kV & 22kV - PLATFORM - INDOOR	
APPD	P.DEWAR	500, 750, 1000 AND 1500kVA	
SCALE	N.T.S.	A3	DRAWING NUMBER
ISSUED	NOVEMBER 1996		
ALL DIM. IN mm		CAD PRODUCT - DO NOT AMEND MANUALLY	
DRAFTING STANDARD TO A.S.1100		AMDT	