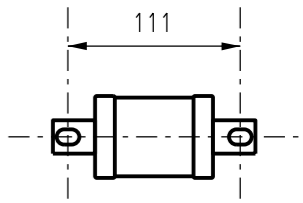
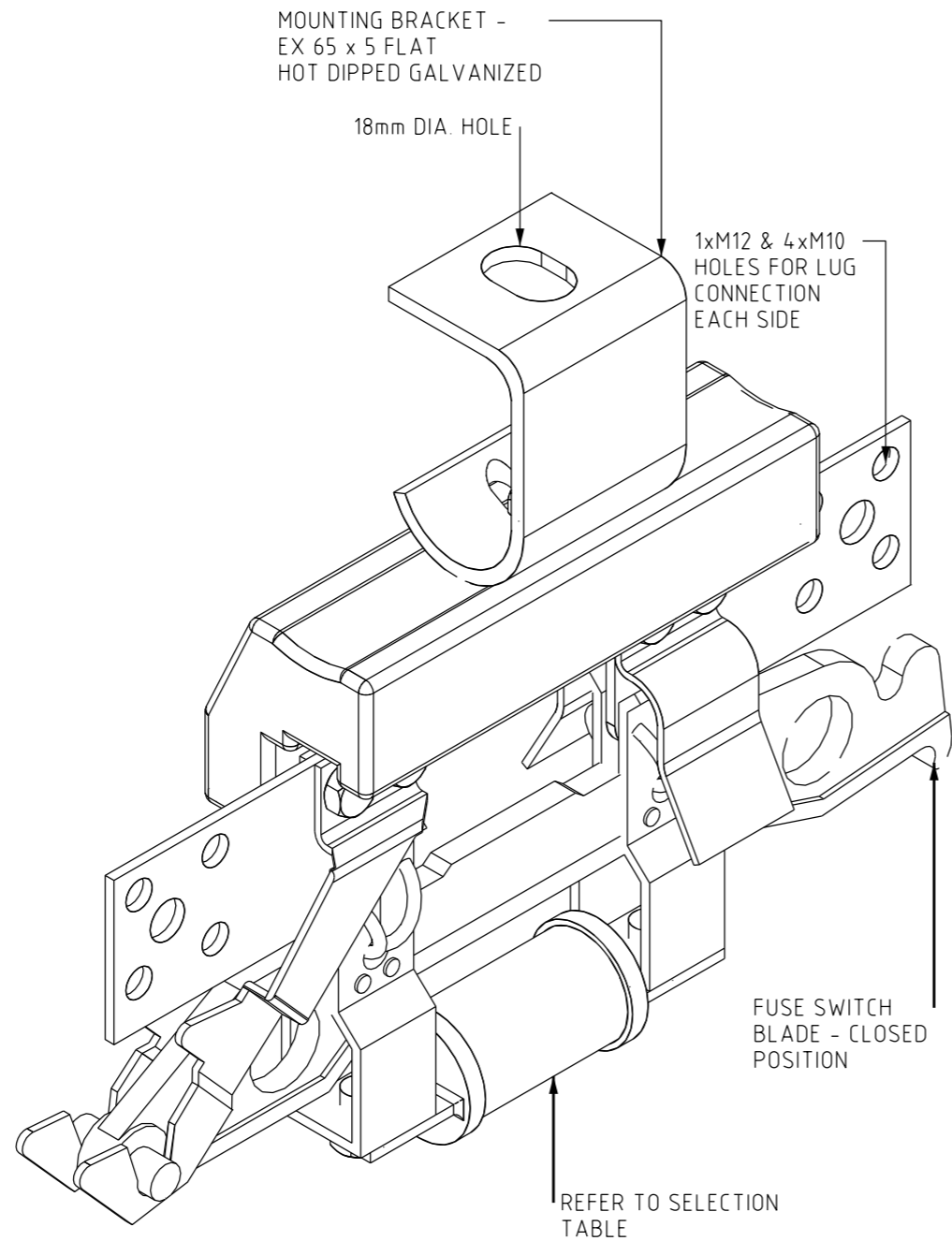


FUSE SELECTION TABLE FOR
400A ISOLATING FUSE SWITCH

ITEM NUMBER	FUSE RATING	FUSE MOUNTING DIMENSIONS
119552	63A	
247544	80A	
1313	100A	
1347	125A	
1354	160A	
1370	200A	
1388	250A	
1420	315A	
1438	400A	



ITEM 1 - LV ISOLATING FUSE SWITCH (400A)

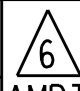
(ITEM NUMBER - 2220)

NOTES:

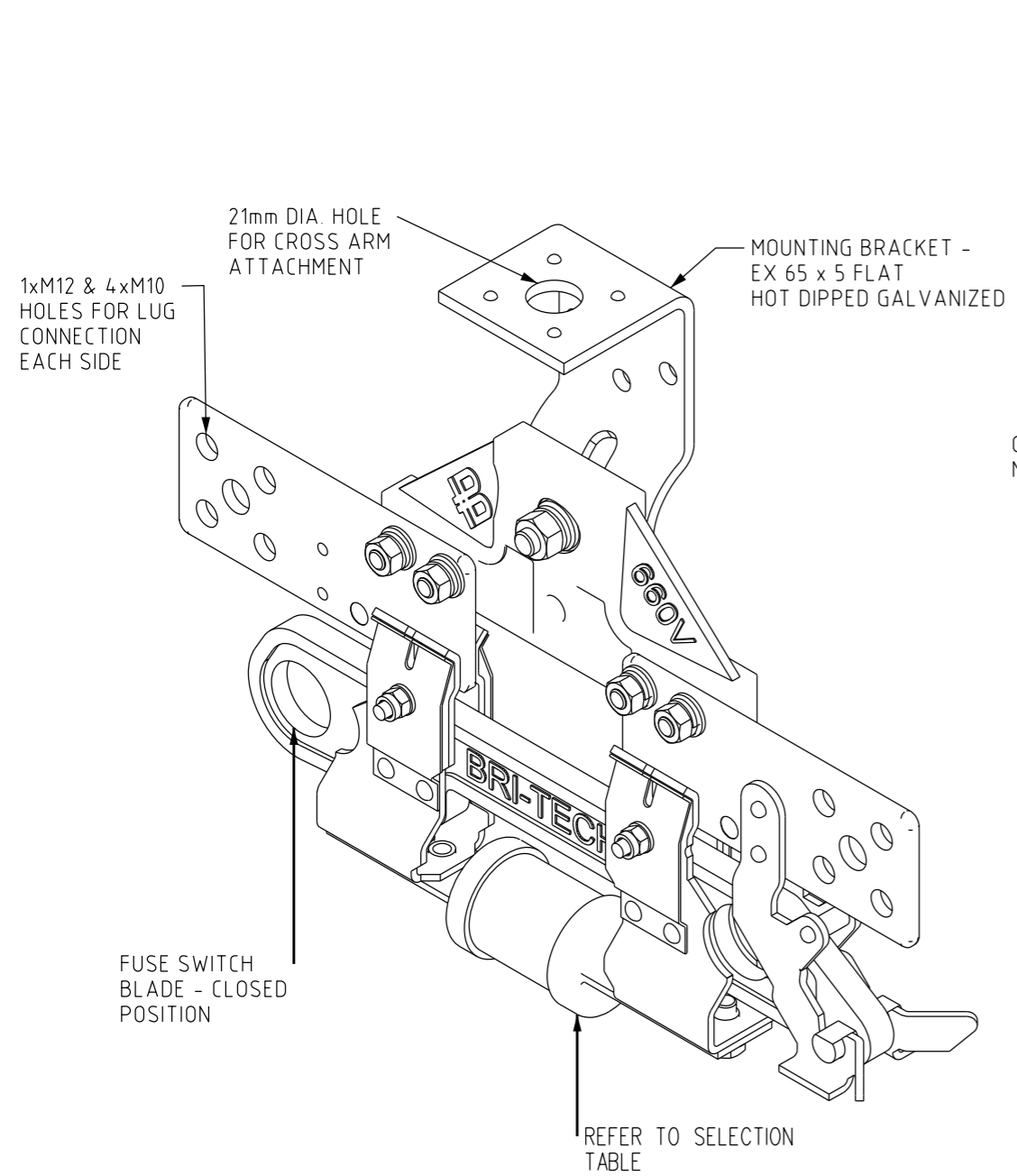
- SWITCHES TO COMPLY WITH IEC 60947.
- INSULATORS TO COMPLY WITH AS 3608
- STEEL MATERIAL TO COMPLY WITH AS 3678, G250.
- HOT DIPPED GALVANIZING TO COMPLY WITH AS 4680.
- BOLTS TO BE METRIC SS316.
- SWITCH BLADE TO BE TINNED COPPER.
- CONTACT TO BE SILVER/SILVER PLATED.
- TERMINAL PALMS TO BE TINNED COPPER.

NO	DESCRIPTION	DRN	DATE	CKD	APPD
6	ADDED PALM HOLE SIZES. REFORMATTED TEXT	A.N.	JUL'21	A.N.	B.V.
5	TITLEBLOCK & DRAWING NUMBER FORMATTED	K.T.	DEC'18	C.C.	C.C.
4	NEW SHEET 2 ADDED	P.H.	MAY'18	I.B.	B.C.
3	REDRAWN IN 3D TO REPRESENT ACTUAL	J.C.	APR'09	A.T.	S.C.
2	NOTES 1 & 2 AMENDED	J.A.L.	JAN'97	A.G.B.	F.R.R.
AMENDMENTS					

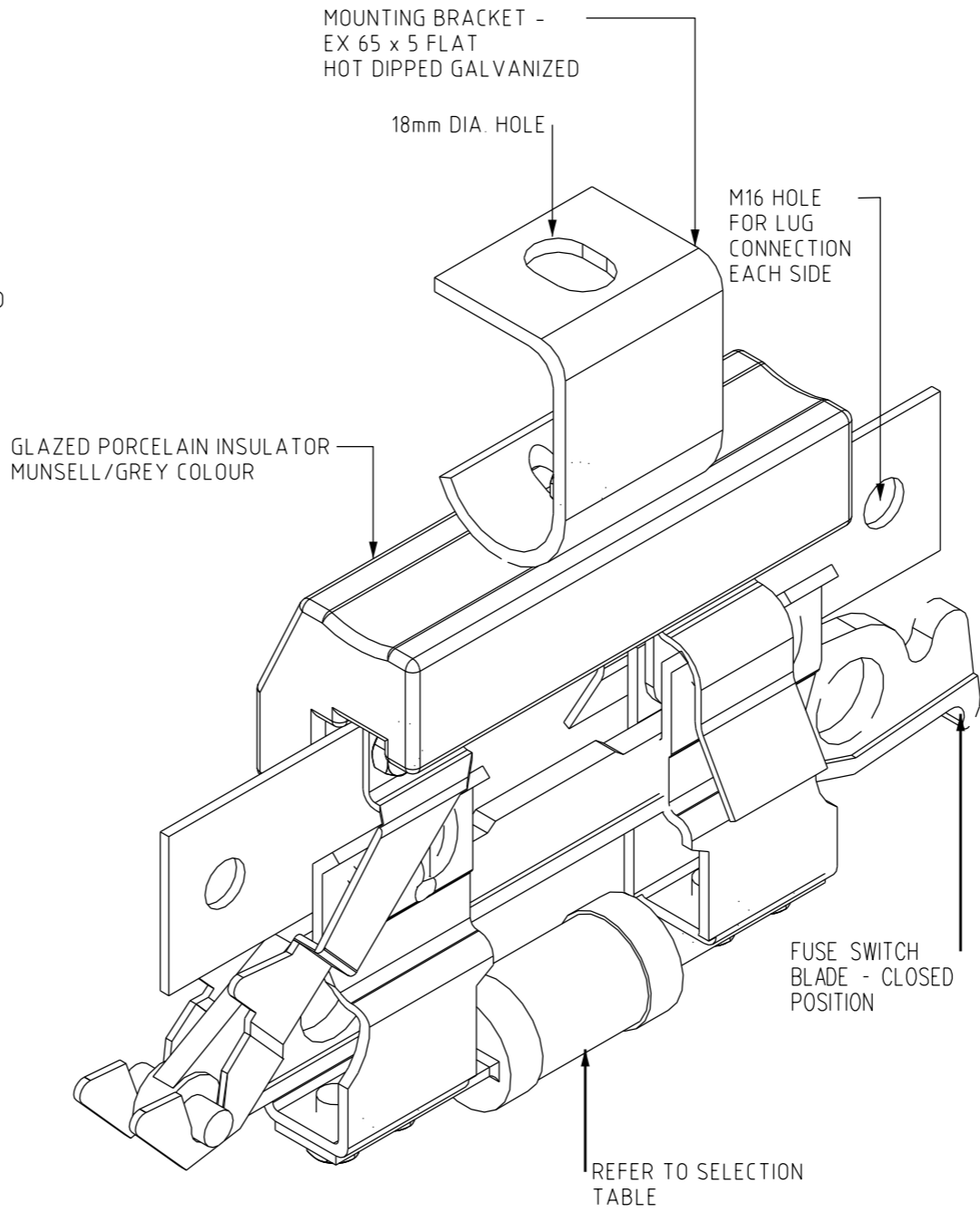


DES	-	POWER STANDARD DRAWING		
DRN	gmck	SWITCH GEAR ISOLATING FUSE SWITCHES LV (SHEET 1 OF 2)		
CKD	N. STUBBS			
APPD	B. KENT			
SCALE	...			
ISSUED	DEC'90	A3	DRAWING NUMBER	S01-01-06-08_1
ALL DIM.	IN mm			
DRAFTING STANDARD TO A.S.1100		CAD PRODUCT - DO NOT AMEND MANUALLY		

FUSE SELECTION TABLE FOR 630A & 800A ISOLATING FUSE SWITCH		
FUSE RATING	ITEM NUMBER	FUSE MOUNTING DIMENSIONS
315A	1404	
355A	1321	
400A	1339	
450A	1362	
500A	1396	
630A	1412	
710A	1446	
800A	1461	



ITEM 2 - LV ISOLATING FUSE SWITCH (630A)
(ITEM NUMBER - 504121)



ITEM 3 - LV ISOLATING FUSE SWITCH (800A)
(ITEM NUMBER - 2238)

- NOTES:
- SWITCHES TO COMPLY WITH IEC 60947.
 - INSULATORS TO COMPLY WITH AS 3608
 - STEEL MATERIAL TO COMPLY WITH AS 3678, G250.
 - HOT DIPPED GALVANIZING TO COMPLY WITH AS 4680.
 - BOLTS TO BE METRIC SS316.
 - SWITCH BLADE TO BE COPPER-TINNED.
 - CONTACTS TO BE SILVER/SILVER PLATED.
 - TERMINAL PALMS TO BE COPPER-TINNED.
 - 710A & 800A FUSES NOT BE USED WITH ITEM 2.

NO	DESCRIPTION	DRN	DATE	CKD	APPD
2	ADDED PALM HOLE SIZES & REFORMATTED TEXT	A.N.	JUL'21	A.N.	B.V.
1	TITLEBLOCK & DRAWING NUMBER FORMATTED	K.T.	DEC'18	C.C.	C.C.
0	INCLUDED 630A VERSION, MOVED 800A VERSION TO SHEET 2	P.H.	MAY'18	I.B.	B.C.
AMENDMENTS					



DES	-	POWER STANDARD DRAWING		
DRN	P.H.	SWITCH GEAR ISOLATING FUSE SWITCHES LV (SHEET 2 OF 2)		
CKD	N.STUBBS			
APPD	B.KENT			
SCALE	...			
ISSUED	MAY'18	A3	DRAWING NUMBER	S01-01-06-08_2
ALL DIM.	IN mm			
DRAFTING STANDARD TO A.S.1100		CAD PRODUCT - DO NOT AMEND MANUALLY		