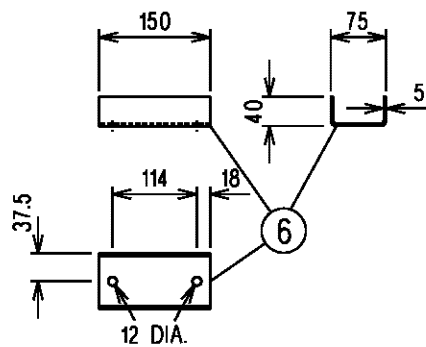
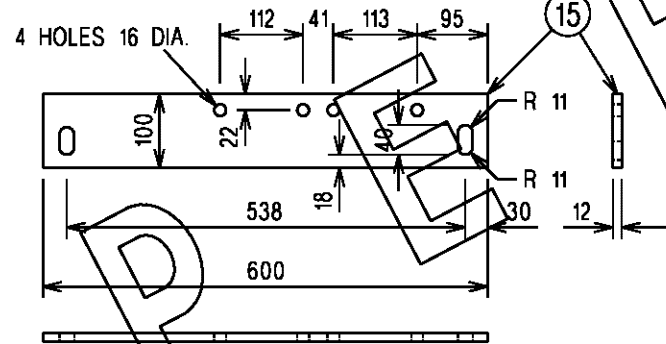
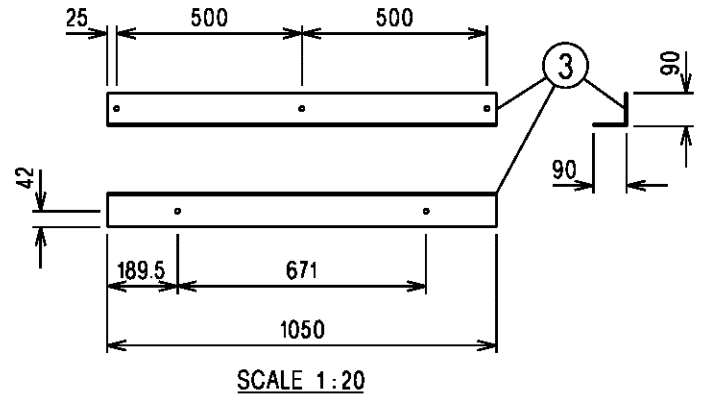
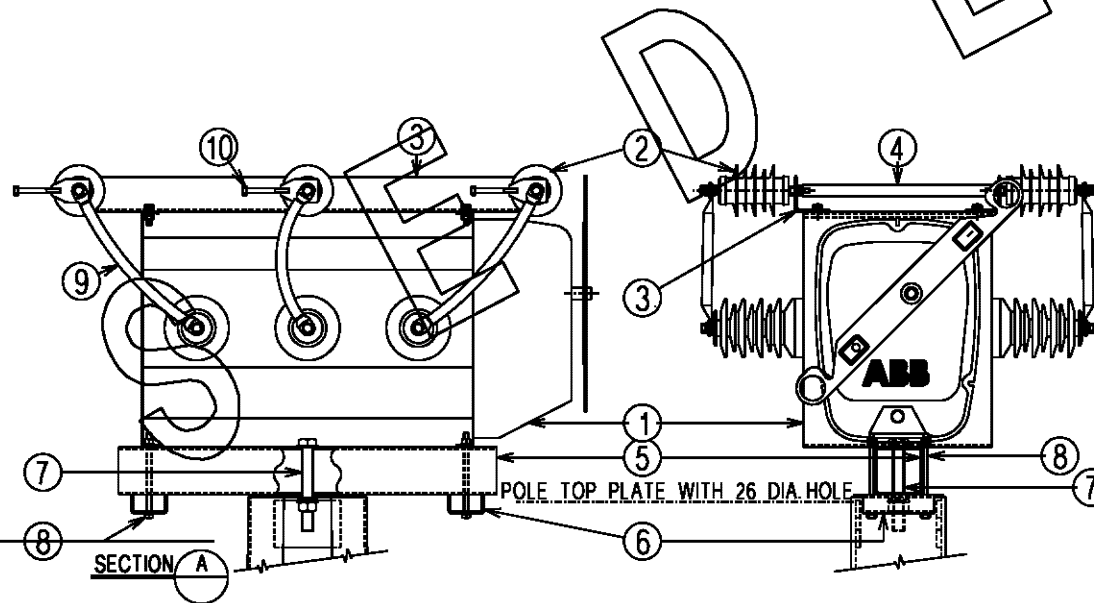


- NOTES :**
1. FOR UNDERGROUND EARTHING GENERAL ARRANGEMENT REFER TO S01-02-03-11, S01-02-03-12 AND S01-02-03-13.
 2. EARTH MAT TO BE CAST CENTRALLY AND FLUSH WITH TOP SURFACE OF UNREINFORCED SLAB.
 3. REEFER TO S01-02-01-01 FOR HV CONNECTION DETAILS



ISOMETRIC VIEW



ITEM	QTY	DESCRIPTION	DWG No.	STOCK CODE
16	6	DISCONNECT T	S01-01-04-10	2295
15	2	MOUNTING BRACKET FOR RETROFIT OF EXISTING ABS		406969
14	1	EARTH MAT	S01-01-05-02	11882
13	6	BAIL CLAMP	S01-01-04-10	239020
12	6	BELL MOUTH LUG	S02-01-02-11	402692
11	6	LIVE LINE CLAMP 460A	S01-01-04-17	2121
10	6	EARTH TAG		
9	-	Cu 150 sq mm LV FLEXIBLE CABLE	S02-01-01-34	300368
8	4	M10x200 BOLT, 2 WASHERS, SPRING WASHER & M10 NUT	S01-01-04-43,113977,114314
7	1	M24x180 BOLT, 2 WASHERS, SPRING WASHER & M24 NUT	S01-01-04-43	400802,113993,114330
6	2	CHANNEL 75x40x5 (150 LONG) PFC DURAGAL		406793
5	1	GAS BREAK SWITCH SUPPORT 100x100x5 (800 LONG) RHS DURAGAL		406796
4	1	EARTH BAR 25x3mm Cu		
3	2	SURGE DIVERTER SUPPORT 90x90x5mm DURAGAL ANGLE (1050 LONG)		408888
2	6	22kV SURGE DIVERTER	S01-01-04-19	249433
1	1	SF6 GAS LOAD BREAK SWITCH ABB		406532
			DWG No.	STOCK CODE

MATERIAL SCHEDULE

NO	DESCRIPTION	DRN	DATE	CKD	APPD
4	SUPERSEDED	A.T.	SEP'16	I.B.	B.C.
3	RENUMBERED, NOTE 3 ADDED + ITEM 6	J.C.	MAR'11	A.T.	S.C.
2	NOTE 3 REMOVED	C.M.	JAN'10	A.T.	S.C.
1	ITEM 15 ADDED	A.S.	3.4.07	R.S.	S.C.
0	ISSUED FOR CONSTRUCTION	A.S.	16.03.06	C.C.	C.C.
NO	DESCRIPTION	DRN	DATE	CKD	APPD

AMENDMENTS

PowerWater

DES	C. CAMILLERI	POWER STANDARD DRAWING	
DRN	A. SCHMID	SWITCH GEAR	
CKD	C. CAMILLERI	FOR UNIVERSAL POLE CONSTRUCTION	
APPD		POLE TOP MOUNTED GAS BREAK SWITCH	
SCALE	1:10 (ON A3)	A3	DRAWING NUMBER S01-02-07-13
ISSUED	16.03.06		
ALL DIM.	IN mm		
DRAFTING STANDARD TO A.S.1100		CAD PRODUCT - DO NOT AMEND MANUALLY	



AMDT