

ITEM No.	LIST OF FITTINGS
1	RATING & CONNECTION PLATE, STAINLESS STEEL
2	HV BUSHING, PAD EPOXY, 12V
3	LV BUSHING, 3.6V, Ø14 PALM HOLE
4	NEUTRAL BUSHING, 3.6V, Ø 14 PALM HOLE
5	TANK WITH INTEGRAL COOLING
6	TANK COVER LIFTING LUGS, SS304, Ø 28 PALM HOLE
7	TAP SWITCH OPERATING MECHANISM, OFF CIRCUIT
8	OIL SIGHT, FLUSH TYPE, MARKED 15°C
9	EARTH STUD, C-W NUTS & WASHERS
10	FILLER PIPE, 250N WITH CAP
11	SUBSTATION LIFTING POINT, SWIFTLIFT, 4 POSN
12	EARTH BAR, 50 x 6.3CU REFER TO S02-01-07-09
13	CUBICLE, 5CR12Ti, 2 THK FASTENED TO PLINTH BY M12 SS304 FASTENERS
14	CUBICLE COVER C-W 2 SS304 LIFTING LUGS Ø 28 HOLE
15	HV COMPARTMENT
16	LV COMPARTMENT
17	DOORS FITTED WITH RECESSED DOOR PULL, SELF LOCKING DOOR STAY
18	REMOVABLE SILLS & GUTTERS BOTH ENDS
19	TRANSFORMER COMPARTMENT
20	GALVANISED STEEL FRAME

- NOTES**
1. STENCIL kVA RATING No. IN BLACK CHARACTERS 75 HIGH & BODY WIDTH NO LESS THAN 12 IN THE UPPER LEFT HAND CORNER OF THE FIXED PANEL BESIDE THE LV COMPARTMENT SIDE DOOR.
 2. STENCIL kVA RATING IN BLACK CHARACTERS 50 HIGH AND BODY WIDTH NO LESS THAN 12, ON LV END OF TRANSFORMER TANK.
 3. ON TANK STENCIL PHASE MARKINGS IN BLACK LETTERING 30 HIGH AND BODY WIDTH NO LESS THAN 6, ADJACENT TO STAMPED LETTERS.
 4. STENCIL R W B, r w b AND n OVER HV, LV & NEUTRAL BUSHINGS.
 5. LV CUBICLE AS PER STANDARD DRAWING No. S02-01-07-09 AND SHEET 4
 6. REMOVABLE PLATE ON LV CUBICLE FOR GENERATOR CABLES.
 7. SINGLE LINE DIAGRAM AS PER DRAWING No. S02-01-07-09.
 8. THIS ARRANGEMENT IS TO SUIT SIDEWALK INSTALLATION ONLY (315-500kVA) WITH MD4 SWITCHGEAR
 9. REFER TO SHEET 2 OF 5 FOR ANY OTHER INSTALLATION
 10. DRAWING TO REFER TO PWC STANDARD TECHNICAL SPECIFICATION 02-005 - KIOSK SUBSTATIONS

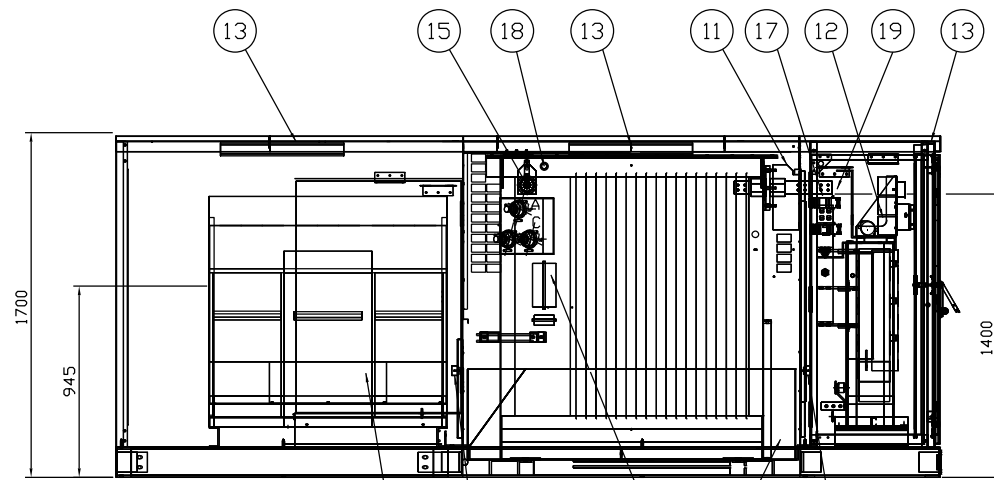
500kVA KIOSK SUBSTATION WITH MAGNEFIX MD4

ITEM NUMBER: 401032

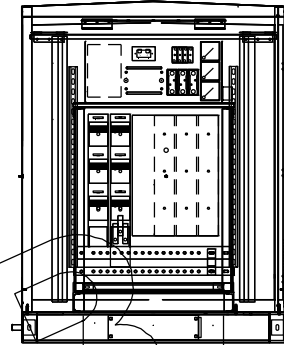
NO	DESCRIPTION	DRN	DATE	CKD	APPD
5	REMOVED OBSOLETE, ADDED STSP NUMBER, LABELLED MAGNEFIX KIOSK.	R.A.	NOV'20	B.C.	C.C.C.
4	OBSOLETE	C.C.	JUN'20	B.V.	B.V.
3	TITLEBLOCK & DRAWING NUMBER FORMATTED	K.T.	FEB'19	C.C.	C.C.
2	PAGES & NOTE 10 ADDED	J.C.	APR'08	B.C.	B.C.
1	ADDED LV SWITCHGEAR ASSEMBLY & NOTES 8 & 9	C.M.	2.8.07	B.C.	B.C.
AMENDMENTS					



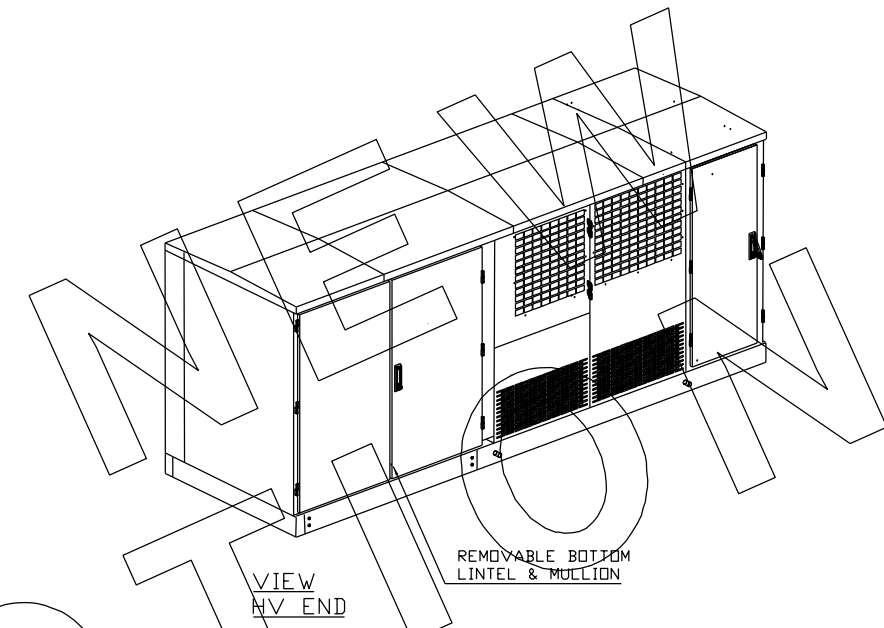
DES	B.CHEUNG	POWER STANDARD DRAWING		
DRN	K.IBBOTT	KIOSK SUBSTATION GENERAL ARRANGEMENT SHEET 1 OF 5		
CKD	B.CHEUNG			
APPD	.			
SCALE	1 : 75			
ISSUED	AUG '06	A3	DRAWING NUMBER	S02-01-07-13_1
ALL DIM. IN mm				
DRAFTING STANDARD TO A.S.1100		CAD PRODUCT - DO NOT AMEND MANUALLY		5 AMDT



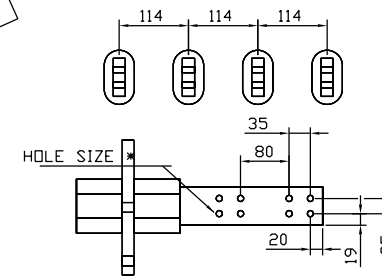
SECTION AA



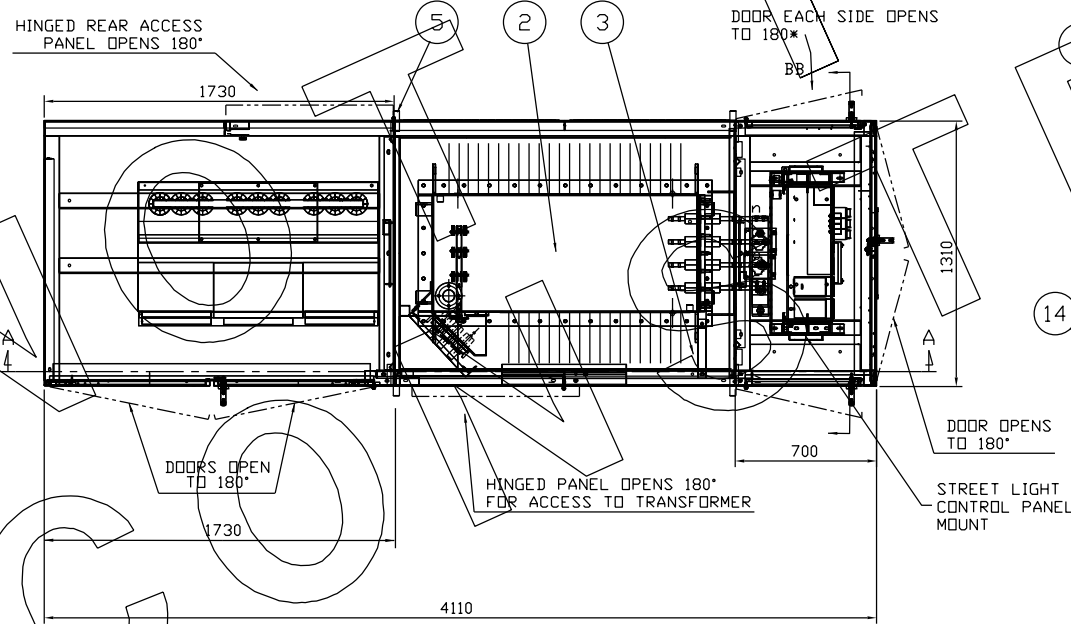
SECTION BB



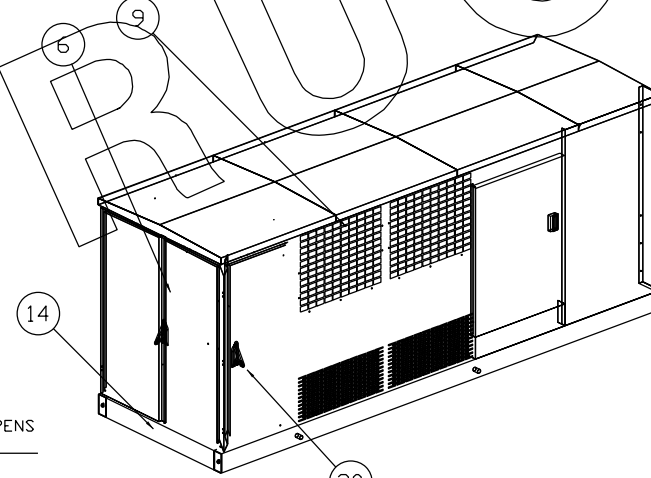
VIEW HV END



LV BUSHING DETAIL (ALL NOTES REFER TO SHEET 3 NOTES)



ENCLOSURE ROOF REMOVED



VIEW LV END

KIOSK SUBSTATION WITH RM6

WARNING SIGNS IN ACCORDANCE WITH S02-01-08-32 AND:

DANGER 400 VOLTS ON LV DOORS
DANGER 11000 VOLTS ON HV DOORS

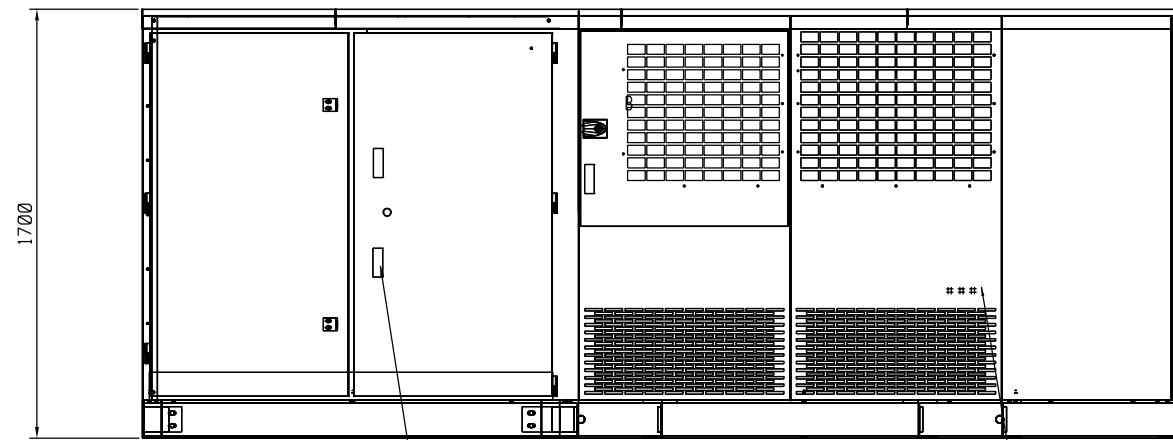
No. OFF	ITEM No.	DESCRIPTION	TYPE
1	21	STENCIL kVA RATING NOTE 6	
3	20	DOORS FITTED WITH 3 POINT 'SELECTLOK' SWING HANDLES	
1	19	LV BUSHING NOTE 7 & 8	
1		HV BUSHING NOTE 7,8 & 11	BUSHING WELL 200A + CLAMP RING - AUSTRALMOLD CM70221151 + 1601-F
1	18	OIL PRESENCE INDICATOR	SIGHT GLASS
3	17	CT'S	CCT5238
2	16	HEATER STRIPS 100W	HTR2325
1	15	TAP CHANGER HANDLE	PADLOCKABLE
1	14	GENERATOR CABLE ACCESS	
3	13	DOOR OPERATED LIGHTS	ALL COMPARTMENTS - LED
1	12	LV SWITCHGEAR	JEAN MULLER ISOLATOR SPACE FOR 4 OFF 630A JEAN MULLER FUSE STRIPS (11866)
1	11	LV PAD COVER	3mm PVC
1	10	NAME & RATING PLATE DETAIL	-
4	9	LOUVERED VENTS	ALUMINIUM
1	8	OIL-CONTAINMENT-BUND	GALVANIZED
1	7	HV SWITCHGEAR	MERLIN GERIN RM6 21 + D
4	6	DOOR HANDLES	3 POINT LATCH
4	5	LIFTING POINTS	COMPLETE UNIT
1	4	BASE, REMOVABLE LINTELS	GALVANISED
1	3	MAIN EARTH BAR	40x6 COPPER
1	2	TRANSFORMER	HERMETICALLY SEALED
		TRANSFORMER COLOUR TO AS2700	HOLLY GREEN
1	1	ENCLOSURE	ALUMINIUM
		ENCLOSURE COLOUR TO AS2700	HOLLY GREEN

NO	DESCRIPTION	DRN	DATE	CKD	APPD
3	KIOSK LABEL ADDED, INCORRECT PLATE TYPE DETAIL REMOVED	R.A.	NOV'20	B.C.	C.C.C
2	OBSOLETE	C.C.	JUN'20	B.V.	B.V.
1	TITLEBLOCK & DRAWING NUMBER FORMATTED	K.T.	FEB'19	C.C.	C.C.
AMENDMENTS					

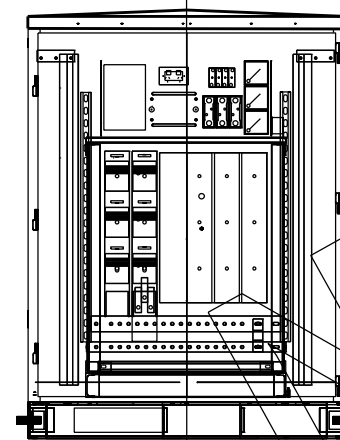


DES	B.CHEUNG	POWER STANDARD DRAWING	
DRN	C.McLAREN	KIOSK SUBSTATION GENERAL ARRANGEMENT SHEET 2 OF 5	
CKD	B.CHEUNG		
APPD	...	A3	DRAWING NUMBER S02-01-07-13_2
SCALE	NTS		
ISSUED	AUGUST '07	DRAFTING STANDARD TO A.S.1100	
ALL DIM. IN mm			
CAD PRODUCT - DO NOT AMEND MANUALLY		3	

RM6 KIOSK



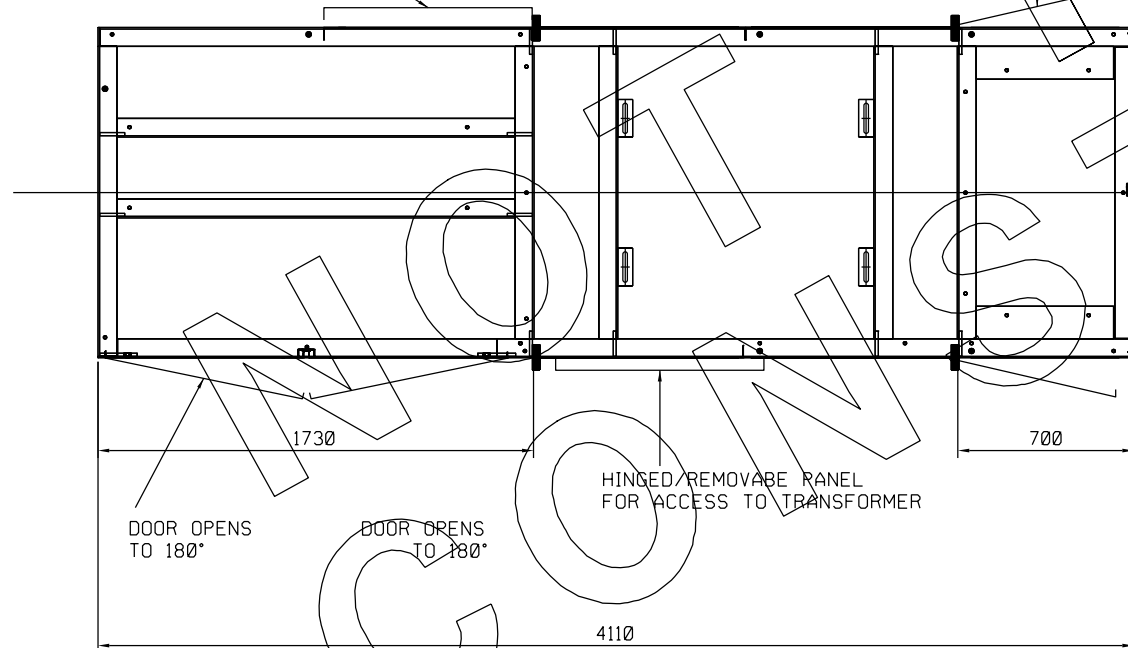
FRONT VIEW



LV SIDE VIEW

HINGED/REMOVABLE REAR ACCESS PANEL

DOOR EACH SIDE OPENS TO 180°



TOP VIEW

DOOR OPENS TO 180°

STREET LIGHT CONTROL PANEL

SUBSTATION ITEM NUMBERS

SUBSTATION kVA	NOMINAL MASS	WITH 3 WAY RM6 IDI SWITCHGEAR	WITH 4 WAY RM6 IIDI SWITCHGEAR
500	3670 kg	406917	406943
1000	4790 kg	406919	406945

REFURBISHED ITEMS ONLY

SUBSTATION kVA	NOMINAL MASS	WITH 3 WAY RM6 IDI SWITCHGEAR	WITH 4 WAY RM6 IIDI SWITCHGEAR
315	3120 kg	406916	406942
750	4320 kg	406918	406944

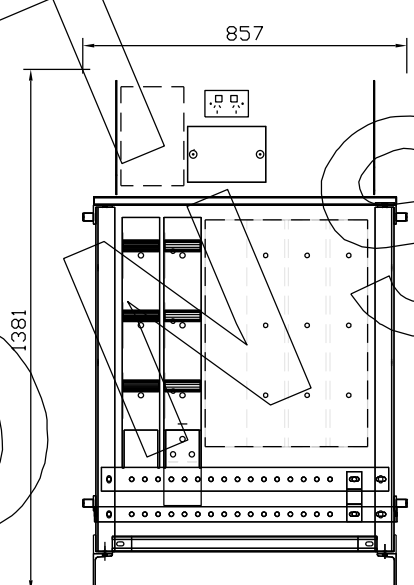
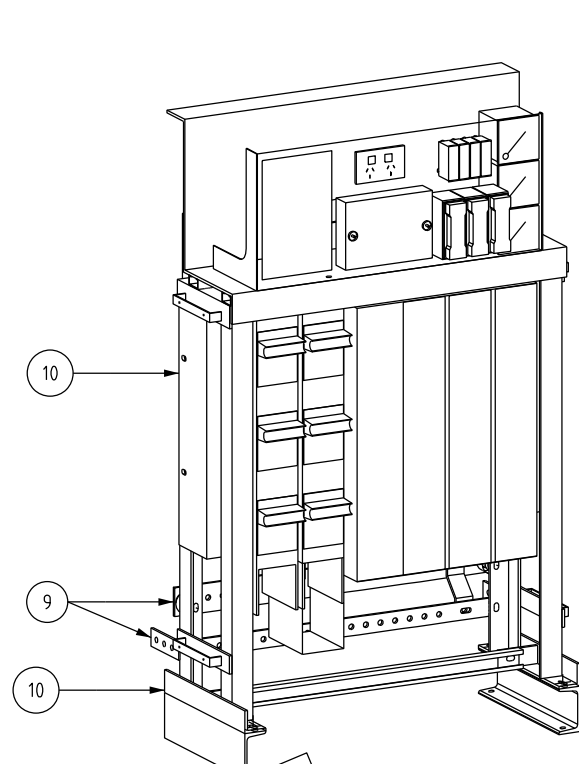
NOTES:

- THIS DRAWING IS TO BE READ IN CONJUNCTION WITH STSP 02-005.
- LV CUBICLE AS PER DRAWING No. S02-01-07-011, AND LV FITTINGS AS PER DRAWING No. S02-01-07-09 & S02-02-02-01.
- SINGLE LINE DIAGRAM AS PER DRAWING No. S02-01-07-01.
- REMOVEABLE PLATE FOR LV PANEL FOR GENERATOR CABLE
- KIOSK SIGNAGE AS PER S02-01-08-31.
- STENCIL kVA RATING No. IN BLOCK CHARACTERS 75mm HIGH AND BODY WIDTH NO LESS THAN 12mm.
- CABLES IN HV & LV COMPARTMENTS TO BE HEAT SHRINK COLOURED TO MATCH PHASE WITH R.W.B. ON BOTH ENDS OF CABLES.
- STENCIL R W B AND N OVER RELEVANT HV, LV AND NEUTRAL BUSHINGS.
- LIFTING BRIDLE, KIOSK KPX UP TO 1500kVA.
- 50sqmm Cu XLPE 1C - 200A DEADBREAK ELBOW - PIN TYPE.
- 50sqmm Cu XLPE 1C - 630A DEADBREAK ELBOW - BOLTED TYPE.
- EARTHING CONSTRUCTION DETAILS REFER TO S02-02-05-08.

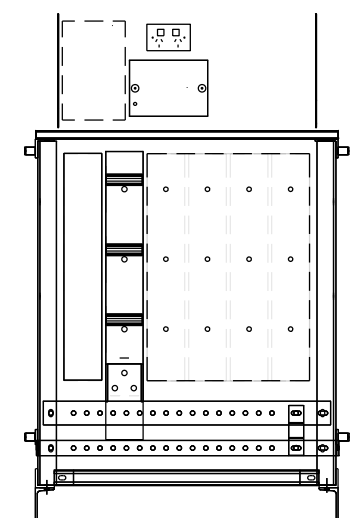
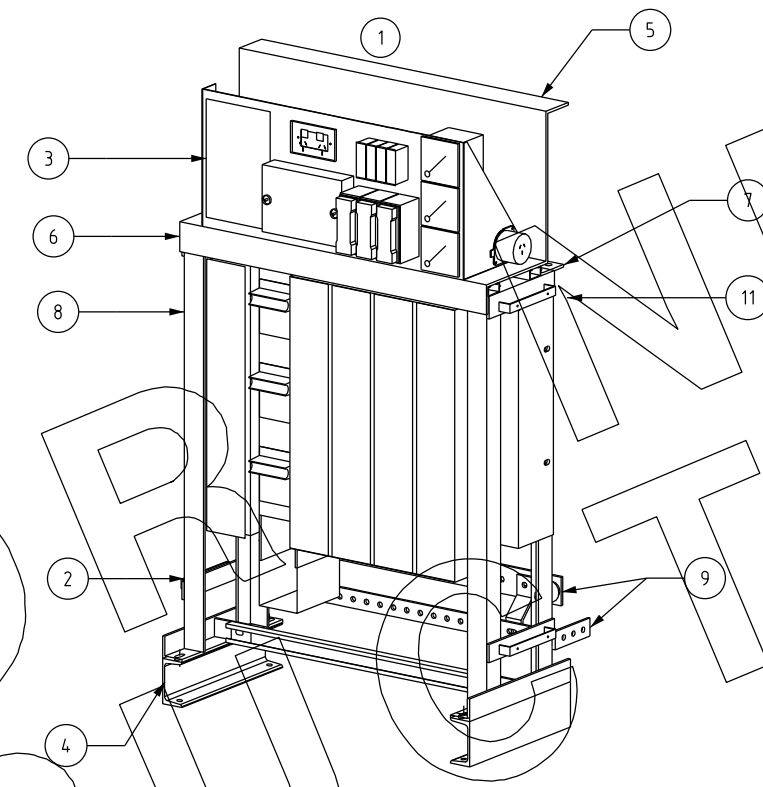
NO	DESCRIPTION	DRN	DATE	CKD	APPD
3	ADDED RM6 KIOSK LABEL. NOTE CORRECTIONS. REMOVED 315 & 750kVA SUBSTATIONS	R.A.	NOV'20	B.V.	B.C.
2	OBSOLETE	C.C.	JUN'20	B.V.	B.V.
1	TITLEBLOCK & DRAWING NUMBER FORMATTED	K.T.	FEB'19	C.C.	C.C.
AMENDMENTS					



DES	.	POWER STANDARD DRAWING		
DRN	.	KIOSK SUBSTATION GENERAL ARRANGEMENT SHEET 3 OF 5		
CKD	.			
APPD	.			
SCALE	.			
ISSUED	.	A3	DRAWING NUMBER	S02-01-07-13_3
ALL DIM. IN mm				
DRAFTING STANDARD TO A.S.1100		CAD PRODUCT - DO NOT AMEND MANUALLY		AMDT



1000 kVA
LV BOARD
NOT TO SCALE



500 kVA
LV BOARD
NOT TO SCALE

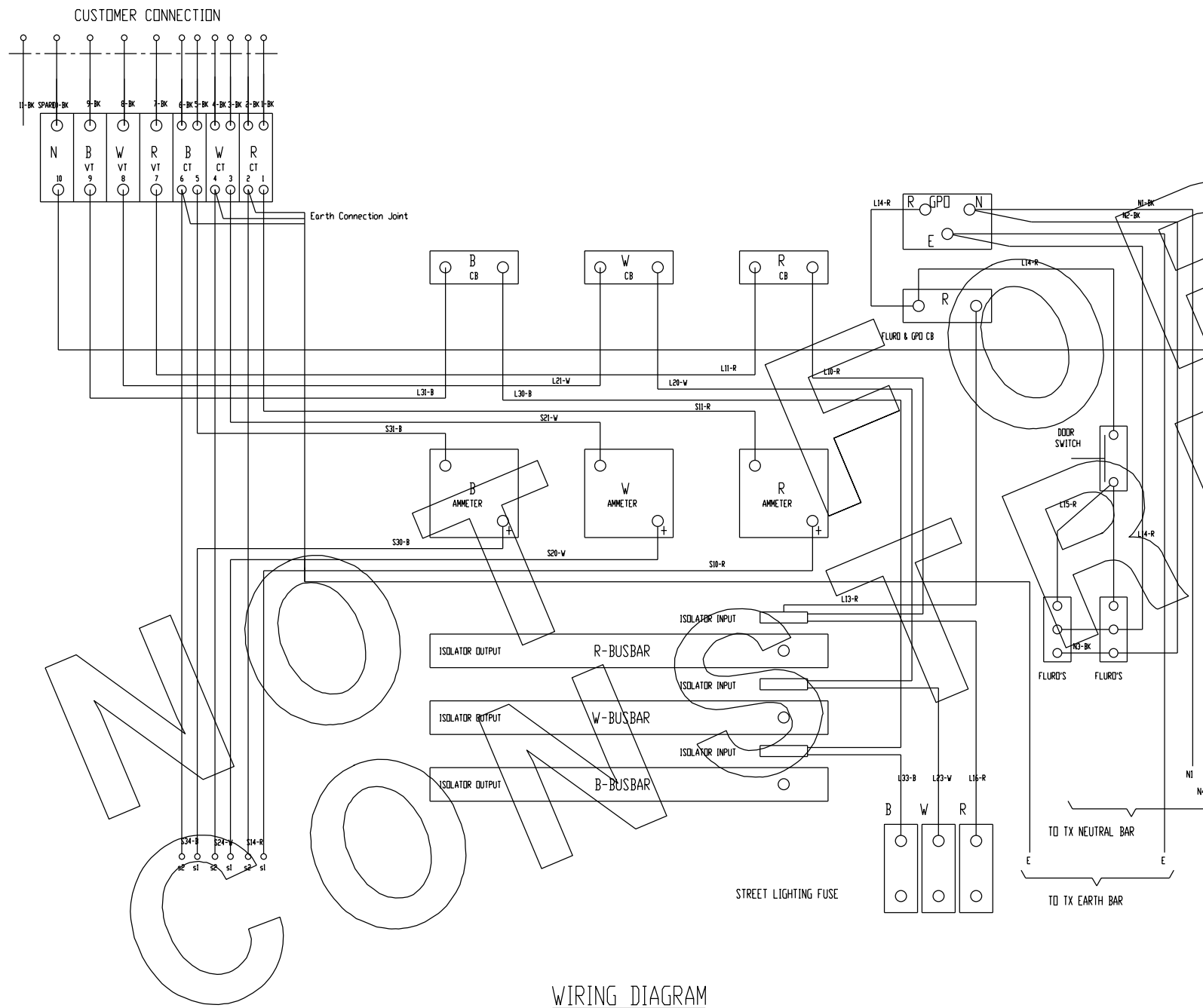
NOT FOR CONSTRUCTION

11	MOUNTING BRACKET - EMAIL ANTENNA
10	MOUNTING BRACKET - STREET LIGHT CONTROL PANEL
9	EARTH NEUTRAL BARS WITH MEN LINK
8	CLIPSAL TEST LINKS
7	GPD FOR ENCLOSURE LIGHTS - DOOR OPERATED
6	GPD - DOUBLE
5	MAXIMUM DEMAND INDICATORS x3
4	PROVISION FOR 4 X 630A REFER TO S02-01-04-08
3	PROVISION FOR EMAIL METER
2	ISOLATOR 1000A/2000A JEAN MULLER WITH GENERATOR TAGS
1	AUXILLIARY MOUNTING PANEL
ITEM	DESCRIPTION

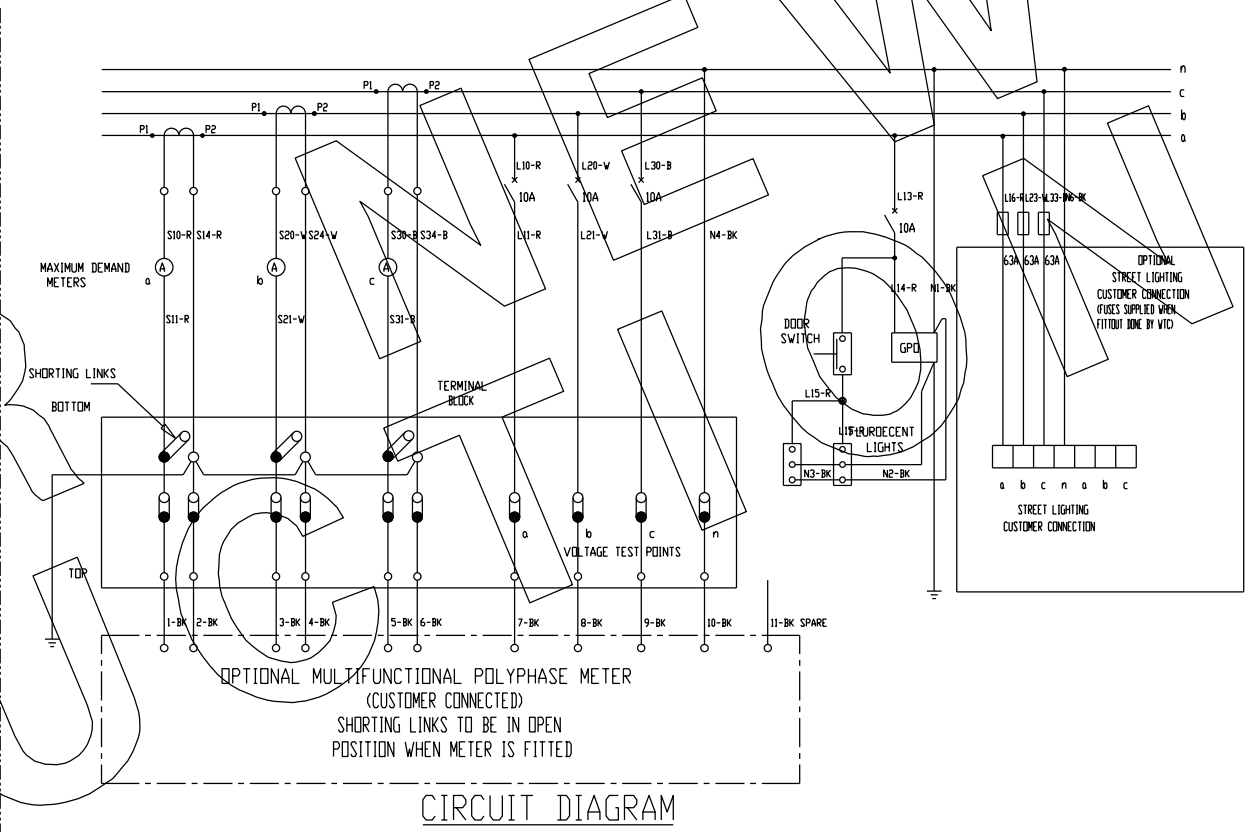
5	REFERENCE DRAWING NUMBER FORMATTED	R.A.	NOV'20	B.V.	B.C.
4	OBSOLETE	C.C.	JUN'20	B.V.	B.V.
3	TITLEBLOCK & DRAWING NUMBER FORMATTED	K.T.	FEB'19	C.C.	C.C.
2	NOTES AMENDED	J.C.	MAR'08		
NO	DESCRIPTION	DRN	DATE	CKD	APPD
AMENDMENTS					


PowerWater
 NORTHERN TERRITORY

DES	B.CHUENG	POWER STANDARD DRAWING		
DRN	C.MCLAREN	KIOSK SUBSTATION GENERAL ARRANGEMENT SHEET 4 OF 5		
CKD	B.CHUENG			
APPD	-			
SCALE	-	A3	DRAWING NUMBER	S02-01-07-13_4
ISSUED	JUL'07			
ALL DIM. IN mm		CAD PRODUCT - DO NOT AMEND MANUALLY		
DRAFTING STANDARD TO A.S.1100		AMDT		



WIRING DIAGRAM



CIRCUIT DIAGRAM

LEGEND:

CT1-CT3 TRANSFORMERS CURRENT METERING

WIRE NUMBER
 H70-R R - RED BK - BLACK
 W - WHITE BN - BROWN
 B - BLUE GY - GREY

TOP
 BOTTOM
 TEST BOX SLIDE LINKS

- NOTES:**
1. ALL FUSES CONNECTED FROM LV SWITCHBOARD AND WIRED USING 7/1.04mm 0.6/1kV
 2. ALL OTHER WIRING 7/0.67mm 0.6/1kV
 3. NEUTRAL & EARTH CONNECTIONS MADE TO FRONT NEUTRAL BAR

3	SHEET TITLE AMENDED	R.A.	NOV'20	B.V.	B.C.
2	OBSOLETE	C.C.	JUN'20	B.V.	B.V.
1	TITLEBLOCK & DRAWING NUMBER FORMATTED	K.T.	FEB'19	C.C.	C.C.
0	ISSUED FOR CONSTRUCTION	J.C.	MAY'08	B.C.	S.C.
NO	DESCRIPTION	DRN	DATE	CKD	APPD
AMENDMENTS					



DES	B.C.	POWER STANDARD DRAWING		
DRN	J.C.	KIOSK SUBSTATIONS GENERAL ARRANGEMENT SHEET 5 OF 5		
CKD	B.C.			
APPD	...			
SCALE	N.T.S.	A3	DRAWING NUMBER	S02-01-07-13.5
ISSUED	MAY'08			
ALL DIM.	IN mm	DRAFTING STANDARD TO A.S.1100		
CAD PRODUCT - DO NOT AMEND MANUALLY				3