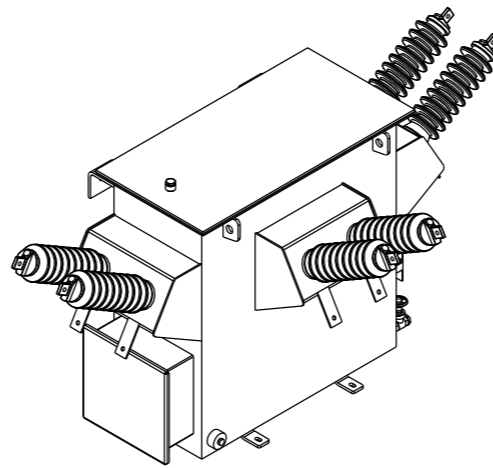
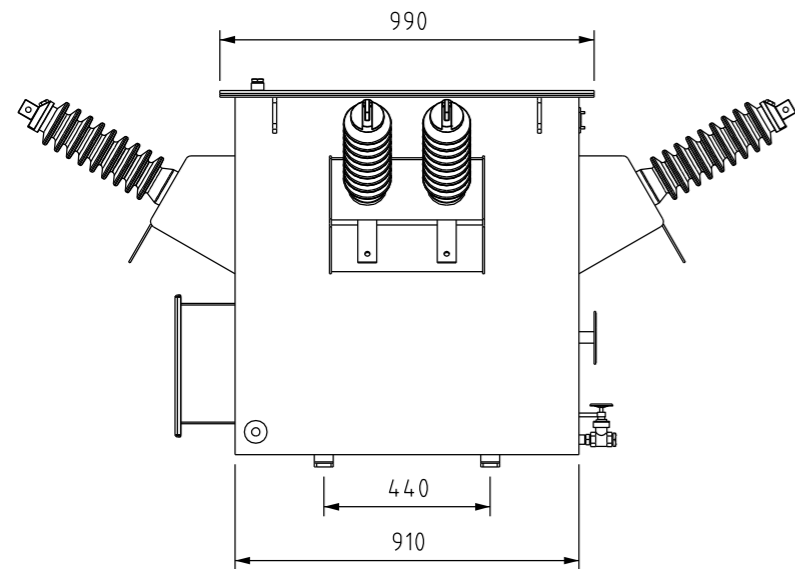


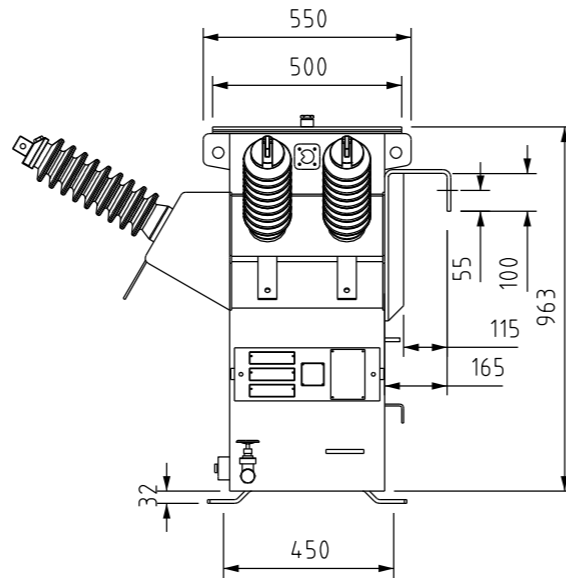
TOP VIEW
1:20



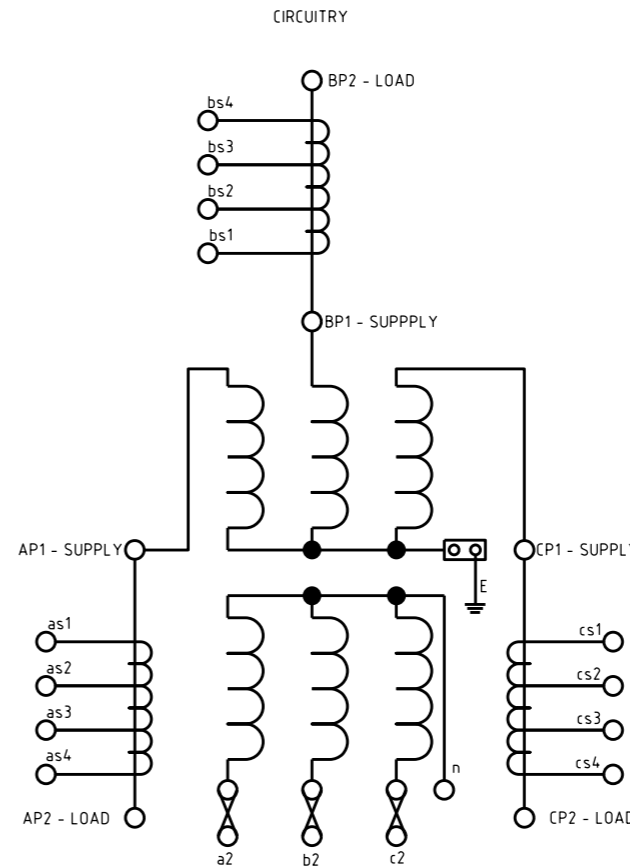
ISOMETRIC VIEW
1:25



FRONT VIEW
1:20



SIDE VIEW
1:20



SINGLE LINE WIRING DIAGRAM

N.T.S.

NOTES:

- METERING UNIT SHALL COMPLY WITH PWC SPECIFICATION STSP 01-005.
- METERING UNITS TO BE SUPPLIED WITH A COPY OF THE TEST CERTIFICATE PROVING COMPLIANCE WITH NATA TESTING REQUIREMENTS FOR METERING INSTRUMENT TRANSFORMERS OR EQUIVALENT.

TABLE 01 - METERING UNIT DETAILS			
ITEM REF	VOLTAGE	AMP	ITEM NUMBER
1	12kV	120	504840
2	12kV	480	504841
3	12kV	1440	504842
4	24kV	120	504637
5	24kV	480	504745
6	24kV	1440	504843

- UNIT WEIGHT MAX 700kg

22kV - VT DETAILS
22kV/ $\sqrt{3}$ METERING UNITS
CLASS 0.5, CATEGORY B
OUTPUT 25VA
1.2 CONTINUOUS, 1.9/30 SECONDS
TO AS 61869.3

11kV - VT DETAILS
11kV/ $\sqrt{3}$ METERING UNITS
CLASS 0.5, CATEGORY B
OUTPUT 25VA
1.2 CONTINUOUS, 1.9/8 HOURS
TO AS 61869.3

22kV - CT DETAILS
100-50-25/5 OR 400-200/100/5 OR 1200-800-400/5
CLASS 0.5S
OUTPUT 15VA (0.6 Ω)
TO AS 61869.2

11kV - CT DETAILS
100-50-25/5 OR 400-200/100/5 OR 1200-800-400/5
CLASS 0.5S
OUTPUT 15VA (0.6 Ω)
TO AS 61869.2

NO	DESCRIPTION	DRN	DATE	CKD	APPD
10	ADDED ITEMS 1, 2, 3 & 6 AND NOTES 1 & 2. AMENDED TITLE.	A.N.	AUG'21	A.N.	B.V.
9	UPDATED TERMINAL NOTATIONS & AUSTRALIAN STANDARDS. ADDED BRACKET DIMENSIONS.	A.N.	JUL'21	A.N.	B.C.
8	ITEM NUMBER ADDED.	C.C.	MAY'21	B.V.	B.C.
7	NEW METERING UNIT	CWM	AUG '20	B.C.	B.V.
0	ISSUED FOR CONSTRUCTION	C.C.	JUL'20	B.C.	B.C.

AMENDMENTS



DES -		POWER STANDARD DRAWING		
DRN	C.COPPINS	METERING UNIT POLE TOP - 3 PHASE METERING UNIT 11 & 22kV		
CKD	B.CHEUNG			
APPD	B.CHEUNG			
SCALE	AS SHOWN	A3	DRAWING NUMBER	S01-01-09-06
ISSUED	JULY 2020			
ALL DIM. IN mm		CAD PRODUCT - DO NOT AMEND MANUALLY		
DRAFTING STANDARD TO A.S.1100				AMDT