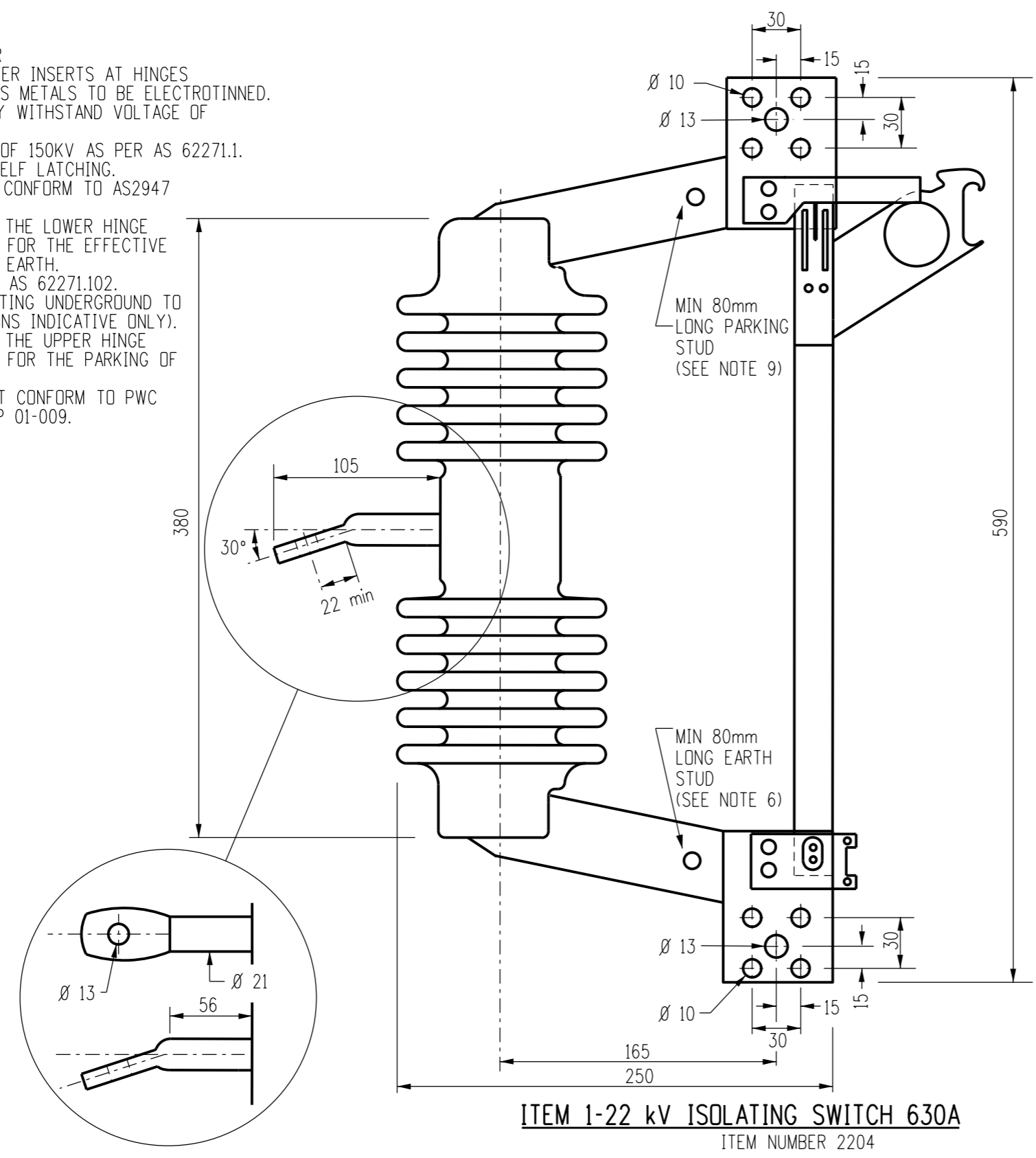
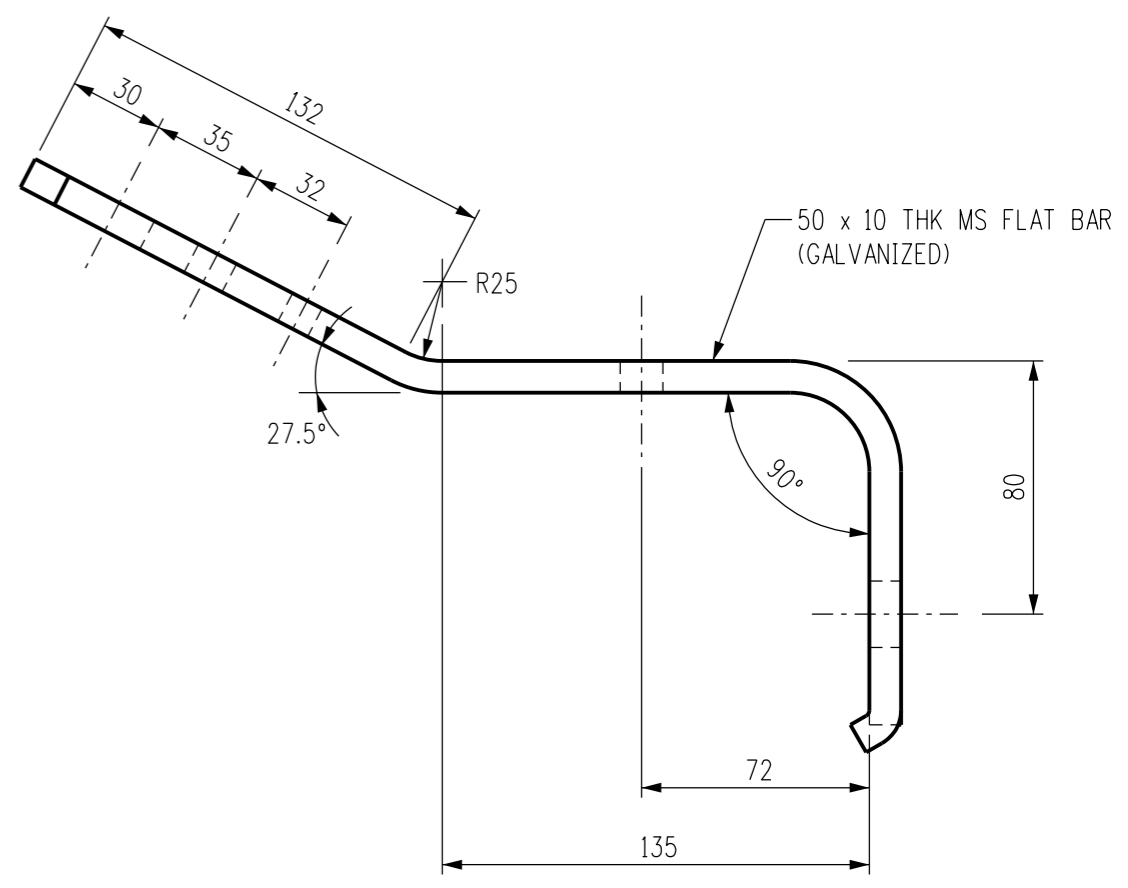


NOTES :

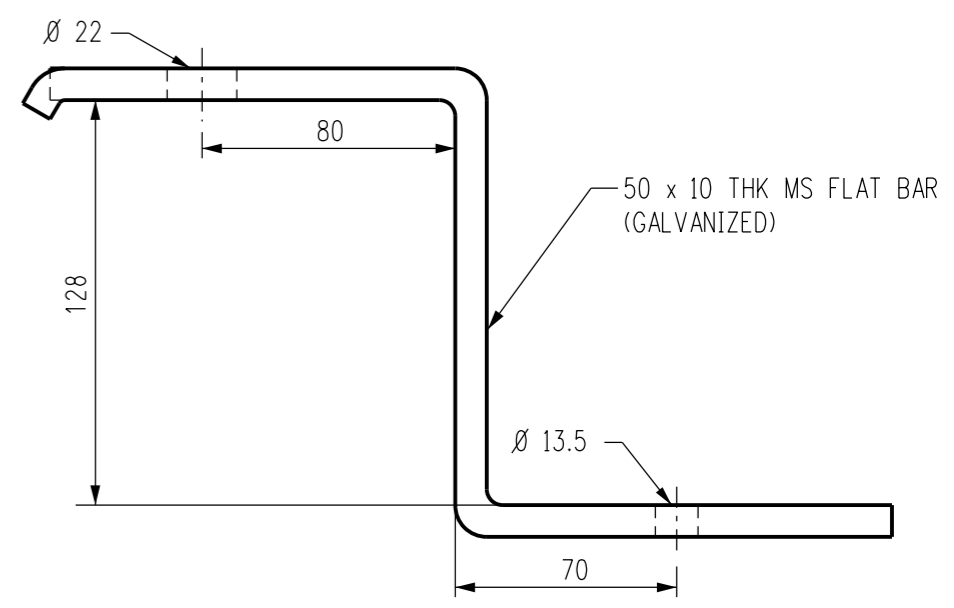
1. MATERIALS: BLADES - COPPER
CONTACTS - SILVER INSERTS AT HINGES
ALL NON-FERROUS METALS TO BE ELECTROTINNED.
2. ONE MINUTE POWER FREQUENCY WITHSTAND VOLTAGE OF 50KV AS PER AS 62271.1
3. IMPULSE WITHSTAND VOLTAGE OF 150KV AS PER AS 62271.1.
4. SWITCH TO BE SUPPLIED AS SELF LATCHING.
5. PORCELAIN INSULATORS SHALL CONFORM TO AS2947 PARTS 1 AND 2.
6. PROVISION IS TO BE MADE ON THE LOWER HINGE MOUNTING BRACKET TO ALLOW FOR THE EFFECTIVE ATTACHMENT OF A TEMPORARY EARTH.
7. SWITCHES MUST COMPLY WITH AS 62271.102.
8. ITEM 2 REQUIRED WHEN ISOLATING UNDERGROUND TO OVERHEAD SUPPLIES (DIMENSIONS INDICATIVE ONLY).
9. PROVISION IS TO BE MADE ON THE UPPER HINGE MOUNTING BRACKET TO ALLOW FOR THE PARKING OF LIVE LINE CLAMPS.
10. M.V. ISOLATING SWITCHES MUST CONFORM TO PWC STANDARD SPECIFICATION STSP 01-009.



ITEM 1-22 kV ISOLATING SWITCH 630A
ITEM NUMBER 2204



ITEM 2 - HORIZONTAL MOUNTING BRACKET (SEE NOTE 8)
ITEM NUMBER 291062



ITEM 3 - CROSSARM MOUNTING BRACKET

NO	DESCRIPTION	DRN	DATE	CKD	APPD
8	UPDATED NOTES 2 & 3, ADDED NOTE 10 & UPDATED TITLE	A.N.	SEP'20	C.C.C.	B.C.
7	TITLEBLOCK & DRAWING NUMBER FORMATTED	K.T.	DEC'18	C.C.	C.C.
6	NOTE 9 ADDED	C.C.	NOV'12	A.T.	B.C.
5	EARTH STUD POINTS ADDED	K.I.	SEP'05	C.C.	C.C.
4	REDRAWN ON MICROSTATION.	JL/SB	JUN'98	-	F.R.R.
3	SWITCH CHANGED TO 630 A. NOTES AMENDED.	N.S.	MAY'91	-	B.K.
2	NOTE 2 ALTERED TO REFER TO NEW CODE.	PMC	APR'91	-	-
1	STOCK CODE ADDED.	R.T.F.	SEP'89	-	-
AMENDMENTS					



DES	...	POWER STANDARD DRAWING	
DRN	R.L.F.	SWITCHGEAR ISOLATING SWITCH M.V.	
CKD	-		
APPD	B.T.KENT	A3	DRAWING NUMBER S01-01-06-07
SCALE	N.T.S.		
ISSUED	APR'89	AMDT	
ALL DIM. IN mm			
DRAFTING STANDARD TO A.S.1100		CAD PRODUCT - DO NOT AMEND MANUALLY	