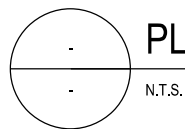
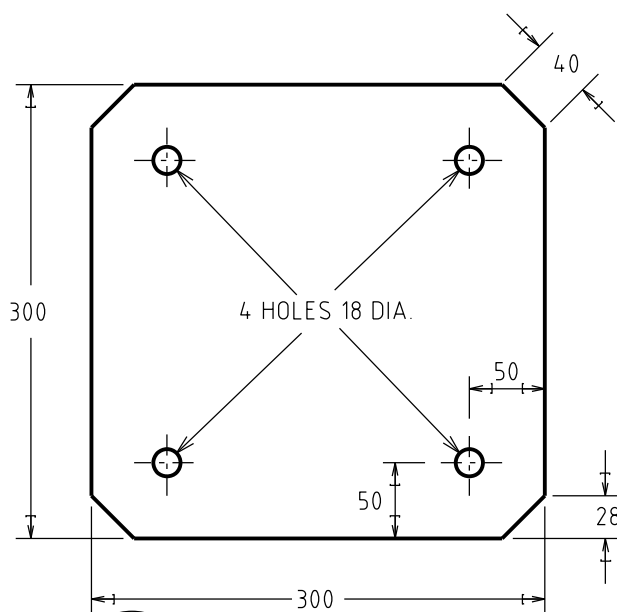


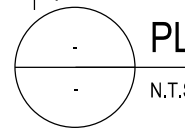
PLAN - BASEPLATE



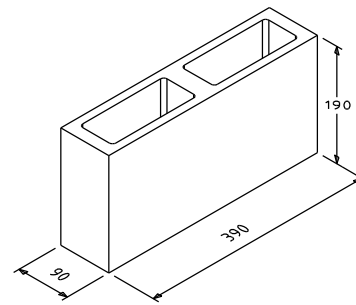
N.T.S.



PLAN - TOP PLATE



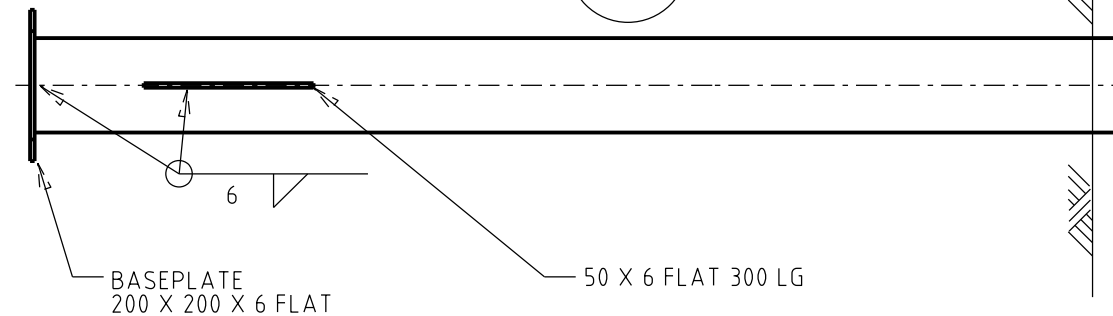
N.T.S.



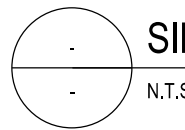
390x190x90mm CONCRETE BESSER BLOCK (SEE NOTE 8)
ITEM NO. 504476

NOTES:

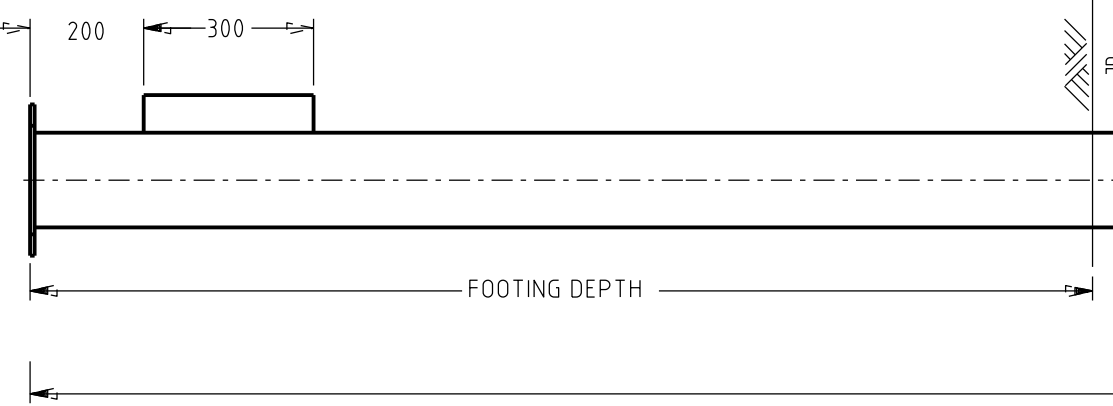
1. ALL WELDS AND BLACK METAL SURFACES TO BE CLEANED AND COATED WITH COLD GALVANIZING COMPOUND.
2. COLUMN TO BE HOT DIPPED GALVANIZED ACCORDING TO AS 1650 - NO PAINTING REQUIRED.
3. ALL ROUGH OR BURRED EDGES ARE TO BE DRESSED CLEAN.
4. ALL WELDING AND WELD PREPARATION TO BE IN ACCORDANCE WITH AS 1554.
5. CIRCULAR HOLLOW SECTION TO BE TO AS 1163 GR250.
6. POLES SHALL BE SINGLE PIECE WITH NO WELDED EXTRUSIONS.
7. ITEMS 1 AND 2 HAVE BEEN SUPERSEDED TO ITEMS 3 AND 4.
8. REFER TO S01-04-04-01 PN PROCEDURE 'POLE INSTALLATION PROCEDURE (CIVIL WORKS)' FOR THE REQUIREMENT AND INSTALLATION OF POLE CONCRETE FOUNDATIONS.



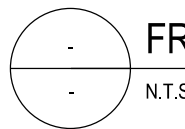
SIDE ELEVATION



N.T.S.



FRONT ELEVATION



N.T.S.

ITEM	ITEM NUMBER	POLE LENGTH	POLE OUTER DIAMETER	FOOTING DEPTH	MINIMUM FOOTING DIAMETER
1	8938	9000	165	1700	450
2	8920	10500	165	1700	450

50 x 50 x 4 FL WITH 13mm HOLE GALVANISED TO AS 1554.2

165 O.D X 4.9 THK GALVANISED CHS

TOP PLATE 300 x 300 x 6 FLAT

BASEPLATE 200 X 200 X 6 FLAT

50 X 6 FLAT 300 LG

200

300

FOOTING DEPTH

NOMINAL DIAMETER

REFER TABLE 1

NO	DESCRIPTION	DRN	DATE	CKD	APPD
7	AMEND MINIMUM FOOTING DIAMETER	C.C.	JUN'20	B.V.	B.V.
6	AMEND TO USE CONCRETE BESSER BLOCK AND INCLUDE MINIMUM FOOTING DIAMETER AND REMOVE SUPERSEDED ITEMS	C.C.	MAY'20	B.V.	B.V.
5	TITLEBLOCK & DRAWING NUMBER FORMATTED	K.T.	DEC'18	C.C.	C.C.
4	DRAWING TITLE AMENDED	C.C.	MAY'18	B.C.	I.B.
3	ADD CONCRETE PAVER	I.B.	AUG'16	I.B.	A.T.
2	SPLIT SLEEVE DETAIL REMOVED, NOTES 6, 7 AND 8 AMENDED	A.T.	MAY'16	I.B.	B.C.
1	LENGTH, FOOTING & NOMINAL DIAMETER AMENDED	A.S.	NOV'06	B.C.	S.C.
0	ISSUED FOR CONSTRUCTION	A.S.	JAN'06	C.C.	C.C.



DES		POWER STANDARD DRAWING	
C. CAMILLERI		POLES 9.0 AND 10.5m SERVICE/CLEARANCE	
A. SCHMID		A3	DRAWING NUMBER S01-01-01-39
C. CAMILLERI			
C. CAMILLERI		SCALE N.T.S.	
JANUARY 2006		ISSUED	
ALL DIM. IN mm		DRAFTING STANDARD TO A.S.1100	
CAD PRODUCT - DO NOT AMEND MANUALLY		AMDT	