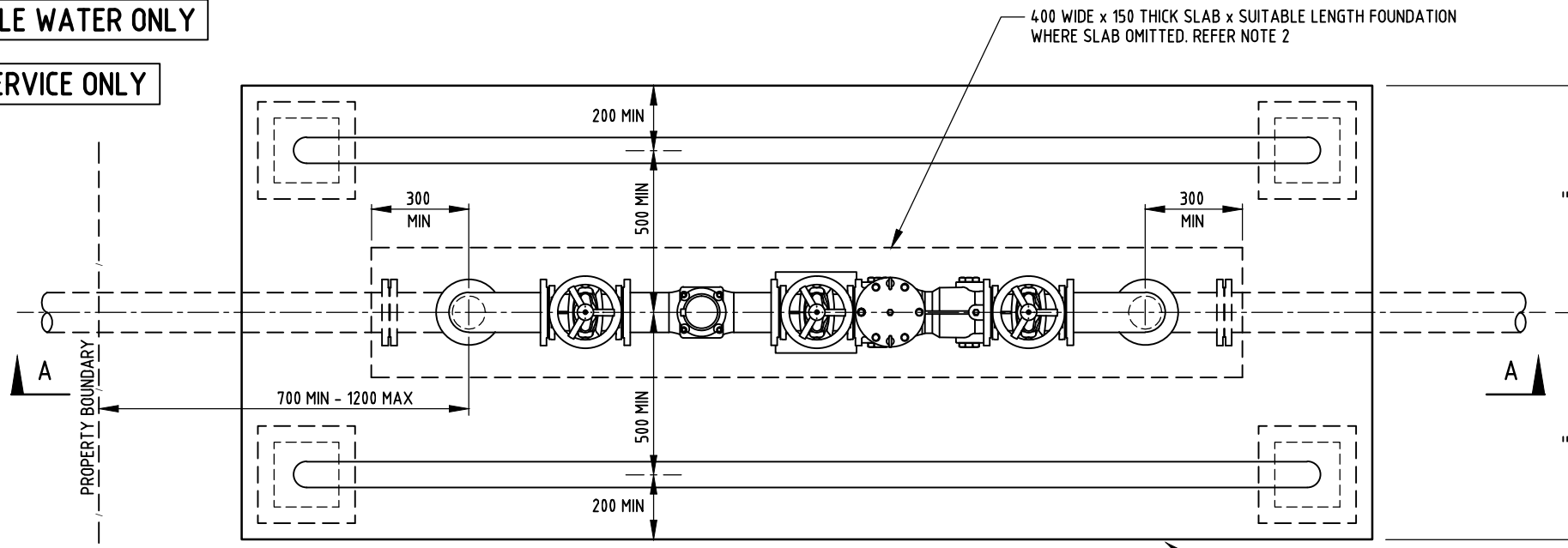
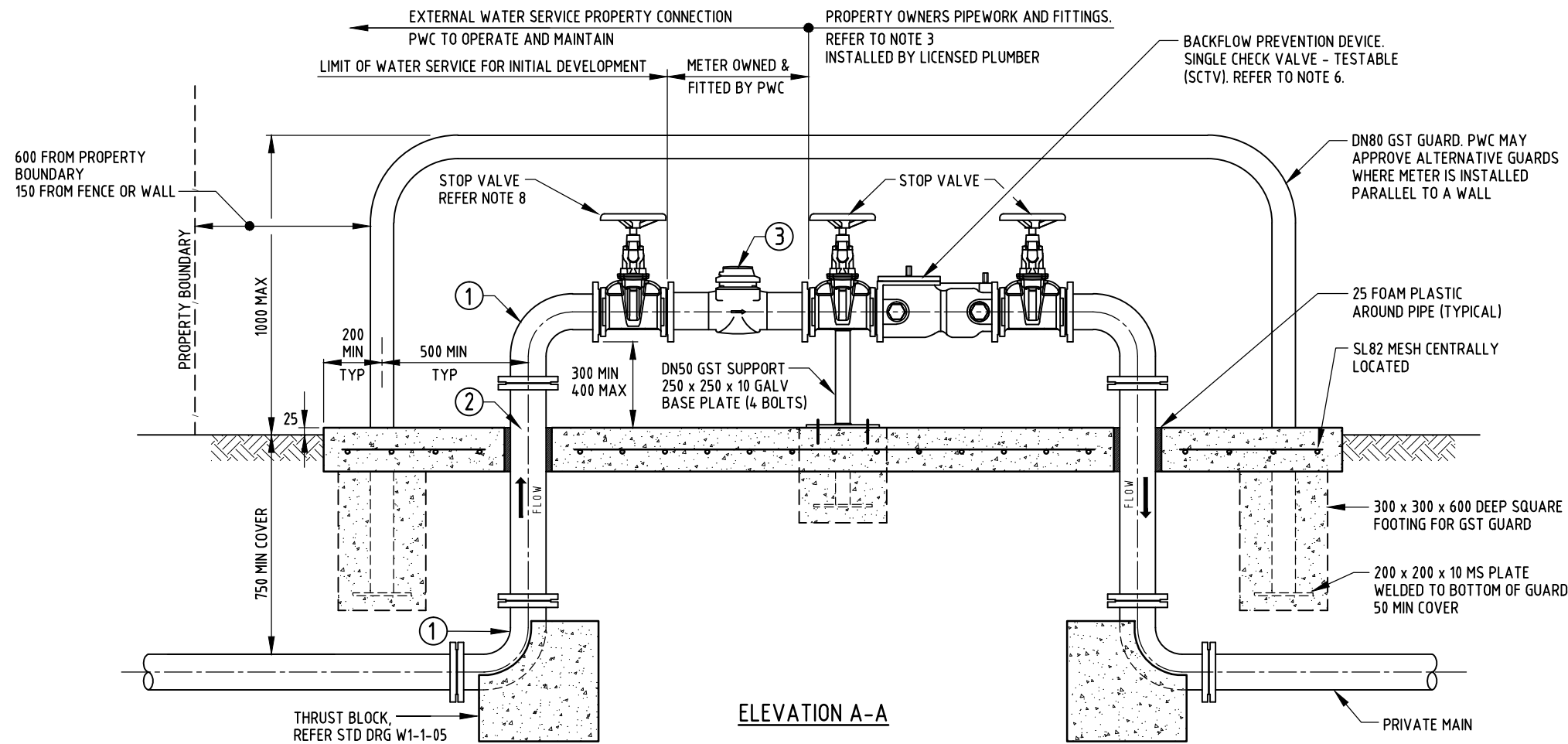


**FOR POTABLE WATER ONLY**

**FOR FIRE SERVICE ONLY**



**PLAN**



**ELEVATION A-A**

**NOTES:**

- TRAFFICABLE AREAS - INSTALL PROTECTION GUARD, UNLESS OTHERWISE APPROVED BY PWC, TO PREVENT DAMAGE FROM VEHICLES AND RESTRICT ACCESS BY PEDESTRIANS.
- INSTALLATION OPTIONS:
  - UNSEALED (HARDSTAND) AREAS - INSTALL CONCRETE SLAB AS SHOWN. PIPEWORK SUPPORTS TO BE SUPPORTED BY SLAB AND BOLTED TO SLAB.
  - SEALED AREAS - CONCRETE SLAB MAY BE OMITTED. PIPEWORK SUPPORTS TO BE PLACED ON FOUNDATION AS SHOWN.
  - GARDEN AREAS - CONCRETE SLAB MAY BE OMITTED WITH PRIOR PWC APPROVAL. PIPEWORK ASSEMBLY MUST BE FREE OF ANY VEGETATION PLANTING. PIPEWORK SUPPORTS TO BE PLACED ON FOUNDATION AS SHOWN.
- THE DETAILS SHOWN FOR THE PROPERTY OWNER'S PIPEWORK AND FITTINGS ARE REPRESENTATIVE ONLY. THE DESIGN SHALL COMPLY WITH RELEVANT AUSTRALIAN STANDARDS INCLUDING AS2419.1 AND AS/NZS 3500.
- A BACKFLOW CERTIFIED PLUMBER IS REQUIRED TO DETERMINE THE RISK OF CONTAMINATION OF THE POTABLE WATER SUPPLY DUE TO CROSS CONNECTIONS REFER AS/NZS 3500.1. A TESTABLE BACKFLOW PREVENTION DEVICE SHALL BE FITTED.
- ONLY AUTOMATIC SPRINKLER SYSTEMS TO AS2118 AND/OR HYDRANTS TO AS2419 TO BE CONNECTED TO FIRE SERVICE WHERE A LOW HAZARD ASSESSMENT IS MADE. A TESTABLE SPRING LOADED SINGLE CHECK VALVE IS TO BE INSTALLED. THE INSTALLING PLUMBER MUST REFER TO AND COMPLY WITH THE REQUIREMENTS OF AS/NZS 3500.1.
- IF A MEDIUM OR HIGH HAZARD ASSESSMENT IS MADE, THEN PROVIDE A RECOMMENDATION TO PWC. A HYDRAULIC ASSESSMENT OF FIRE SERVICES MUST BE COMPLETED TO ENSURE FIRE REQUIREMENTS ARE NOT COMPROMISED.
- WHERE A REGISTERED AIR GAP (RAG) OR REGISTERED BREAK TANK (RBT) IS PROVIDED IN LIEU OF A TESTABLE BACKFLOW PREVENTION DEVICE, DISCUSS REQUIREMENTS WITH PWC.
- ISOLATION VALVES SHALL BE APPROVED RESILIENT SEATED SLUICE VALVES FITTED WITH HAND WHEELS.
- ON COMPLETION OF WATER SERVICE, PROVIDE BLANK FLANGE, GASKETS, NUTS, BOLTS AND WASHERS TO VALVE OUTLET.
- USE GRADE N32 CONCRETE WITH 80mm NOMINAL SLUMP AND 20mm MAXIMUM AGGREGATE COMPLYING WITH AS1379.
- EXCLUDING FIRE BOOSTER COMPONENTS, USE ONLY THOSE MANUFACTURERS' PRODUCTS SHOWN APPROVED IN THE WATER AND SEWAGE INFRASTRUCTURE PRODUCTS MANUAL
- WHERE METER IS INSTALLED PARALLEL TO WALL OR FENCE, MINIMUM CLEARANCE BETWEEN METER FLANGES AND WALL OR FENCE SHALL BE 300mm
- ALL ABOVE GROUND DUCTILE IRON FITTINGS MUST BE EPOXY COATED IN (RILSAN) BLUE.
- WHERE ROUND AND OTHER-SHAPED FLANGES ARE MIXED, THE GASKET SHALL MATCH THE SHAPED FLANGE.
- WHEN POURING CONCRETE AGAINST FITTINGS, PLACE GEOTEXTILE MATERIAL (MIN 6mm THICK) BETWEEN FITTING FOR THRUST BLOCK AND CONCRETE TO PREVENT DAMAGE TO THE FITTING. JOINTS MUST BE CLEAR OF CONCRETE.
- GRADE 4.6 GALVANISED MILD STEEL BOLTS WITH GALVANISED WASHERS UNDER HEAD AND BOLT PERMITTED FOR USE ON ABOVE GROUND FLANGES (RATED TO PN16).
- USE EPDM 3mm THICK GASKETS ABOVE GROUND.
- BOLTS, NUTS, WASHERS AND GASKETS FOR METER INSTALLATION SUPPLIED BY PWC.
- PRESSURE TEST WATER SERVICE AT 1000kPa FOR 4 HOURS (NO PRESSURE LOSS PERMITTED)
- DISINFECT PIPEWORK IN ACCORDANCE WITH PWC WATER SERVICES CUSTOMER HANDOUT 5 - GUIDELINE FOR DISINFECTION OF SUBDIVISIONS AND WATER SERVICE CONNECTIONS FROM 20mm AND GREATER.

METERS - TYPICAL FLANGE-FLANGE DIMENSION	
DN100	483
DN150	500

ITEM	DESCRIPTION	METER SIZE DN		NOTES	ITEM	DESCRIPTION	METER SIZE DN		NOTES
		100	150				100	150	
1	90° BEND DI FLANGE	2	2		3	METER (DN100)	1	-	METER SUPPLIED & FITTED BY PWC AFTER PAYMENT OF FEES
2	EXTENSION PIPE DI FLANGED	1	1	LENGTH DETERMINED ON SITE		METER (DN150)	-	1	

NO	DESCRIPTION	DRN	DATE	CKD	APPD
6	GENERAL AMENDMENTS 2020.	PW	JULY'20	JR	DC
5	PIPE EXTENSION REMOVED & NOTES MODIFIED.	AW	NOV'18	JR	DC
4	ISOLATION VALVE ADDED. DIMENSION 'A' MODIFIED. NOTE 4 & 11 CHANGED.	AW	JUL'11	RJ	RJ
3	CONSTRUCTION JOINT AND GAP IN BOLLARDS SHIFTED. METER TABLE AMENDED.	RGI	JUN'10	RJ	RJ
2	DRAWING REDRAWN. OPTIONS ADDED.	RGI	NOV'08	RJ	JP
1	ELEVATION AND PLAN REVISED. NOTES REVIEWED. PROTECTIVE COATING REVIEWED.	RGI	AUG'13	MCH	NWM



DES	NmCc	WATER STANDARD DRAWING		
DRN	AD/AG	SERVICES - DN100 AND DN150		
CHK	NmCc	ABOVE GROUND SINGLE METER CONNECTION		
APPD	NmCc	FIRE SUPPLY		
SCALE	N.T.S.	A3	DRAWING NUMBER	W1-1-17A
ISSUED	07/01			
ALL DIM. IN mm		CAD PRODUCT - DO NOT AMEND MANUALLY		6
DRAFTING STANDARD TO A.S.1100		AMDT		