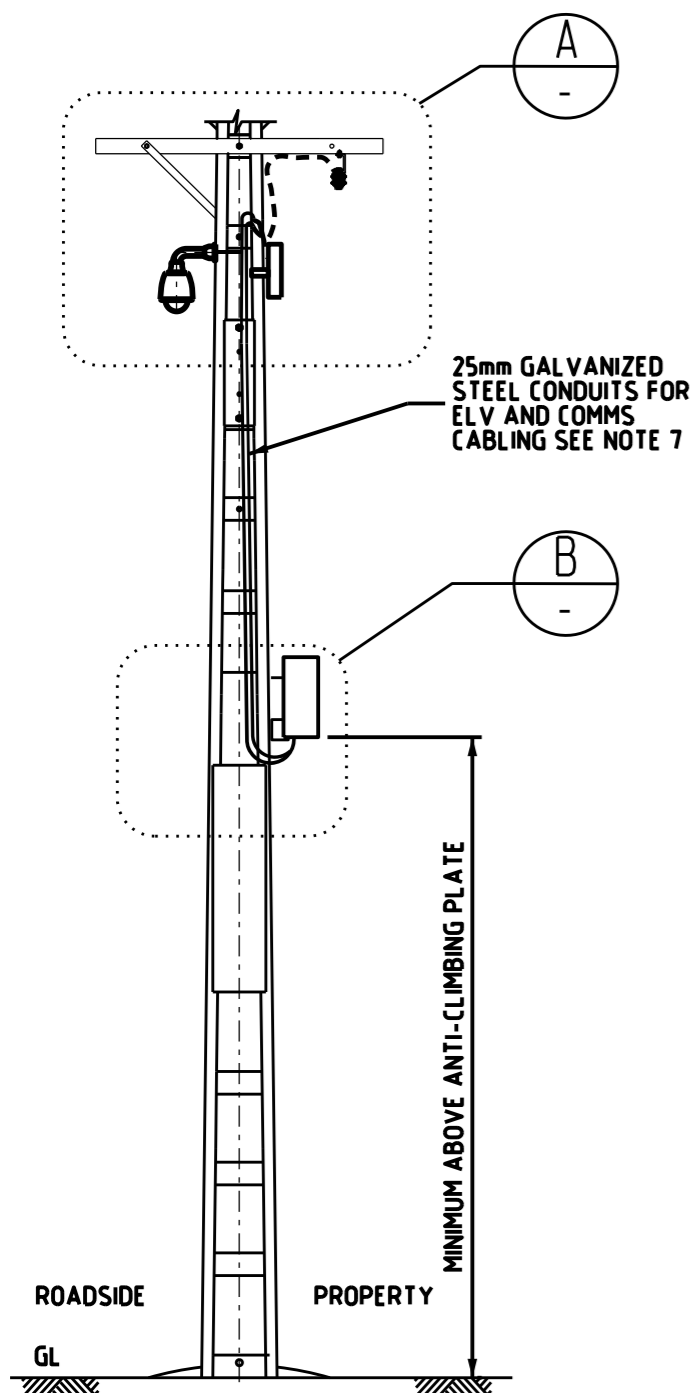
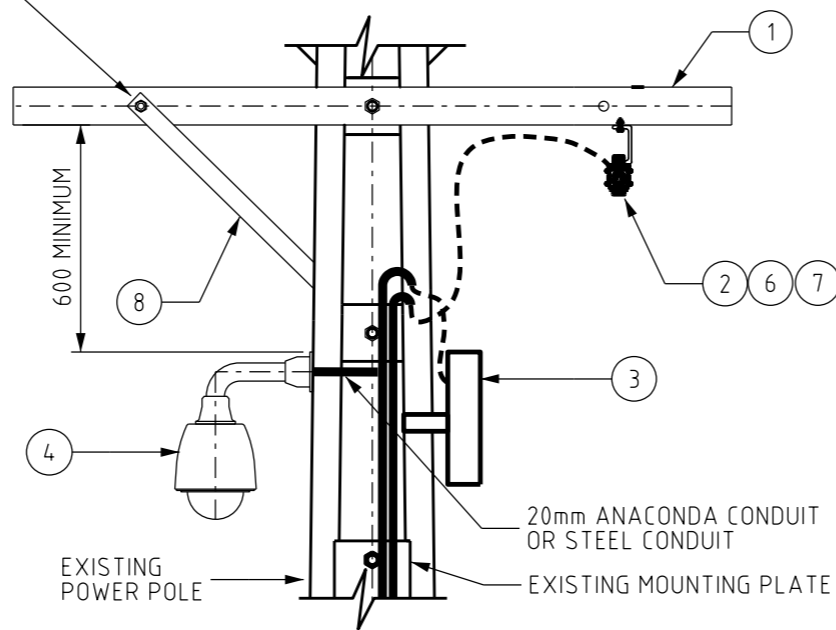


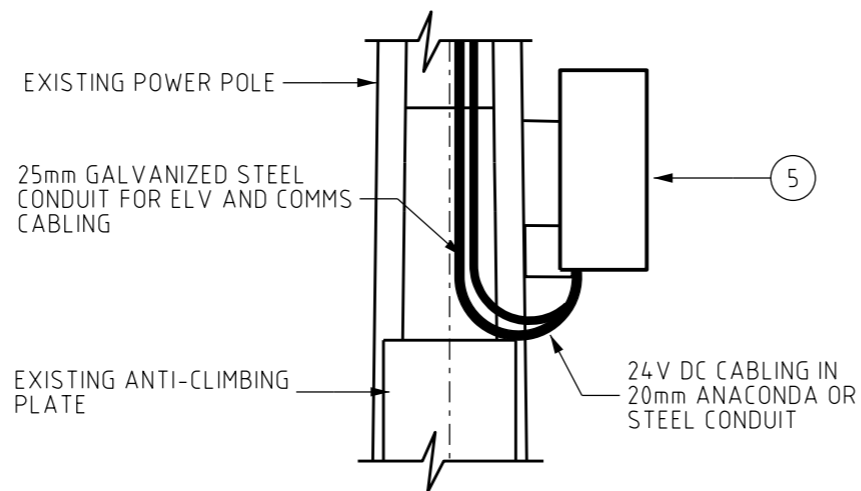
POLE BRACE TO CROSSARM CONNECTION, M16 BOLT 60 LONG, 2 LARGE FLAT WASHERS, SPRING WASHER AND M16 NUT



**ELEVATION**  
SCALE 1:50



**DETAIL A**  
SCALE 1:20



**DETAIL B**  
SCALE 1:20

**NOTES:**

1. THIS ARRANGEMENT SUITS BOLTED, NON-BOLTED AND I BEAM POLE TYPES.
2. PRIORITY MUST BE GIVEN TO THE 600mm MINIMUM CLEARANCE BETWEEN CCTV AND SERVICE CROSSARM WHEN CONSIDERING POLE SUITABILITY. IF MINIMUM CLEARANCE CAN NOT BE ACHIEVED THEN THE LOCATION IS NOT SUITABLE.
3. ALL CCTV AND ASSOCIATED EQUIPMENT TO BE INSTALLED ABOVE EXISTING ANTI-CLIMBING PLATE AS SHOWN.
4. ALL CCTV AND ASSOCIATED ELECTRICAL EQUIPMENT TO BE MOUNTED TO WITHSTAND CYCLONIC WIND LOADS IN ACCORDANCE WITH AUSTRALIAN STANDARDS.
5. CCTV SHALL BE INSTALLED ON THE OPPOSITE SIDE OR PERPENDICULAR TO FUSE BASE WHEREVER POSSIBLE.
6. CCTV POWER SUPPLY SHALL BE SOURCED FROM AN LV UNMETERED OVERHEAD NETWORK VIA SERVICE FUSE BASE.
7. CONTROL WIRING BETWEEN CCTV AND CONTROL BOX SHALL BE MOUNTED OUTSIDE OF POLES USING STEEL CONDUIT, UNISTRUT BRACKETS OR GALV. OR STAINLESS STEEL SADDLES.
8. ALL CCTV AND ASSOCIATED ELECTRICAL EQUIPMENT SHALL BE DOUBLE INSULATED OR COMPLY WITH AS3000.
9. ALL CCTV INSTALLATIONS MUST BE UNDER A LICENSED AGREEMENT WITH POWER AND WATER.
10. THE POLE CROSS ARM ARRANGEMENT CAN VARY DEPENDING ON SERVICE LOCATIONS.
11. CCTV CONTROL BOX SHALL BE MOUNTED ON THE PROPERTY SIDE WHENEVER POSSIBLE.
12. THIRD PARTY EQUIPMENT SHALL NOT BE INSTALLED ON POLES WITH EXISTING EQUIPMENT SUCH AS TRANSFORMERS, GBS, ABS, RECLOSURES AND CABLE TERMINATION.
13. ALL PERSONNEL WORKING ON THESE STRUCTURE SHALL BE AUTHORISED AND ACCREDITED WITH ALL THE APPROPRIATE TRAINING AND PERMITS.

ITEM	QTY	DESCRIPTION	ITEM NUMBER	DRG. NUMBER
8	1	CROSSARM BRACE 50x5 DURAGAL	298687	S01-01-04-38
7	1	SERVICE FUSE MOUNTING BRACKET	406802	S01-01-04-49
6	1	57x22mm FERRULE SERVICE FUSE	-	S01-01-04-49
5	1	EQUIPMENT HOUSING INCLUDING RAIN HOOD	-	-
4	1	CCTV CAMERA	-	-
3	1	WIRELESS RADIO / ANTENNA	-	-
2	1	100A SERVICE FUSE ASSEMBLY	241109	S01-01-04-49
1	1	LV SERVICE CROSSARM 100x50x4 DURAGAL CC	298554	S01-01-02-11

MATERIAL SCHEDULE

NO	DESCRIPTION	DRN	DATE	CKD	APPD
2	UPDATED FUSE ASSEMBLY IMAGERY. UPDATED TABLE AND NOTE FORMATTING. ADDED ITEMS 7 & 8. UPDATED ITEMS 1, 2 & 6. ADDED CROSSARM BRACE NOTE	A.N.	JUN'21	A.N.	B.C.
1	TITLEBLOCK & DRAWING NUMBERS FORMATTED	K.T.	JAN'19	C.C.	C.C.
0	ISSUED FOR CONSTRUCTION	P.H.	JAN'18	I.B.	B.C.



DES	P. HINDE	POWER STANDARD DRAWING	
DRN	P. HINDE	CCTV INSTALLATION TO POWER POLE STRUCTURES	
CKD	I. BASHIR		
APPD	B. CHEUNG		
SCALE	N.T.S	A3	DRAWING NUMBER S01-02-01-71
ISSUED	JAN'18		
ALL DIM.	IN mm	DRAFTING STANDARD TO A.S.1100	
CAD PRODUCT - DO NOT AMEND MANUALLY		AMDT	