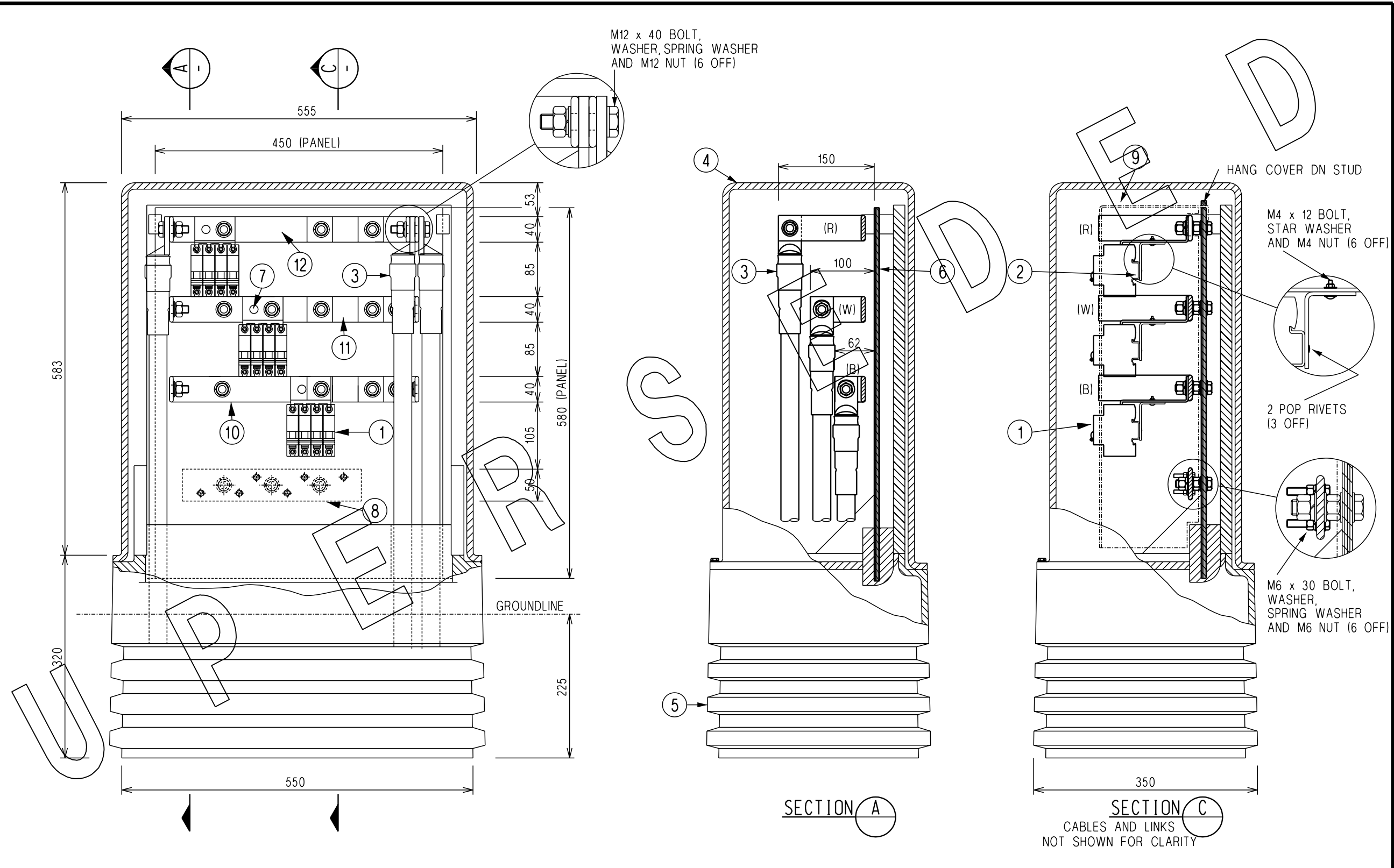


ITEM QTY.	DESCRIPTION	DWG No.	ITEM QTY.	DESCRIPTION	DWG No.
1	12	CIRCUIT BREAKER, DIN MOUNTED	7	3	BUSCOMB
2	3	35mm DIN RAIL, 75 LONG AL	8	1	EARTHING BAR
3	6	CABLES 240 AL XLPE	9	1	TOUCHSAFE COVER
4	1	TURRET COVER	10	1	BUSBAR (BLUE)
5	1	TURRET BASE	11	1	BUSBAR (WHITE)
6	1	PANEL	12	1	BUSBAR (RED)



NO	DESCRIPTION	DRN	DATE	CKD	APPD
1	SUPERSEDED BY S02-02-03-08	J.C.	JUN'09	A.T.	S.C.
0	ISSUED FOR CONSTRUCTION	K.I.	OCT'05	C.C.	C.C.
AMENDMENTS					

DES	CHANNELL	POWER STANDARD DRAWING	
DRN	A. SCHMID	DISTRIBUTION - PILLARS STREET SIDE TYPE SERVICE - GENERAL ARRANGEMENT	
CKD	R. CLEOPAS		
APPD	C. CAMILLERI		
SCALE	NOT TO SCALE	A3	DRAWING NUMBER S02-02-03-11
ISSUED	DEC'04		
ALL DIM.	IN mm	CAD PRODUCT - DO NOT AMEND MANUALLY	
DRAFTING STANDARD TO A.S.1100		AMDT	