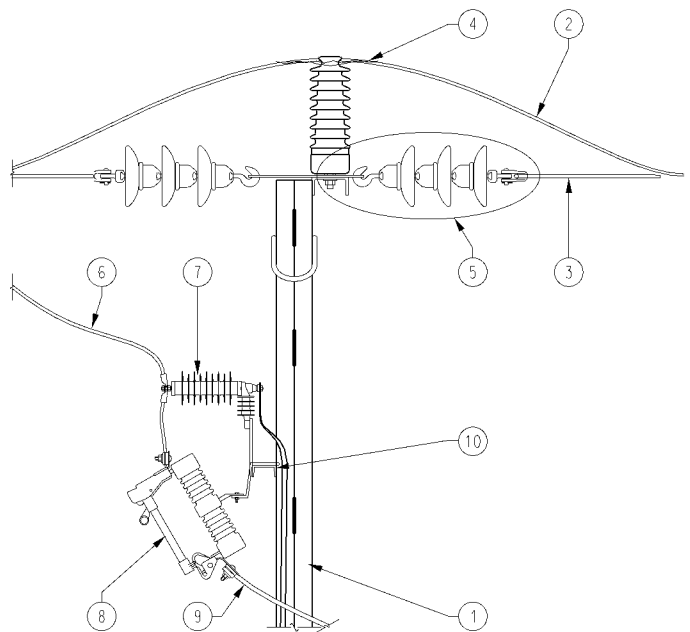
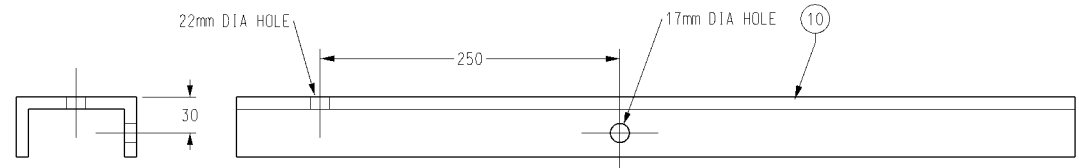


END ELEVATION  
1:20



ELEVATION  
1:20



END ELEVATION  
1:4

ELEVATION, SINGLE EDO CROSSARM  
1:4

TAG NO	QTY	DESCRIPTION	DRG REF	STOCK CODE
10	-	SINGLE EDO CROSSARM		NEW
9	-	Cu DROPPER CABLE, 35sq.mm PE/PVC, (19/1.53, 17mmDIA) AND 35sqmm LUG	S2-1-1-5	9092
8	1	EDO FUSE	S25-3-1-3	
7	1	SURGE DIVERTER, 33kv	21-1-4-19	249466
6	-	Cu DROPPER CABLE, 35sq.mm PE/PVC, (19/1.53, 17mmDIA) AND 35sqmm LUG	S1-1-4-19	249441
5	6	SUSPENSION ASSEMBLY	S1-1-3-2	3012
4	1	TIE WIRE	S1-2-1-2	8839
3	2	PREFORMED DEADEND	S1-1-4-18	3335/3425
2	-	CONDUCTOR 3/2.75 SC/AC OR 3/4/2.50ACSR/GZ		8748/1610
1	1	13.5C POLE	S1-1-1-2	11122

MATERIALS

DES	M. BOCK	POWER STANDARD DRAWING		
DRN	R. JONES	<b>SINGLE WIRE EARTH RETURN DISTRIBUTION TRANSFORMER POLE EDO CROSSARM</b>		
CKD	S. SAWYER			
APPD	F. ROBSON			
SCALE	1:20, 1:4			
ISSUED	22/10/97			
ALL DIM.	IN mm	A3	DRAWING NUMBER	S25-2-2-03
DRAFTING STANDARD TO A.S.1100		CAD PRODUCT - DO NOT AMMEND MANUALLY		

1	APPROVED FOR CONSTRUCTION.	RG1	SEP'99	MWB	FRR
NO	DESCRIPTION	DRN	DATE	CKD	APPD
AMENDMENTS					

