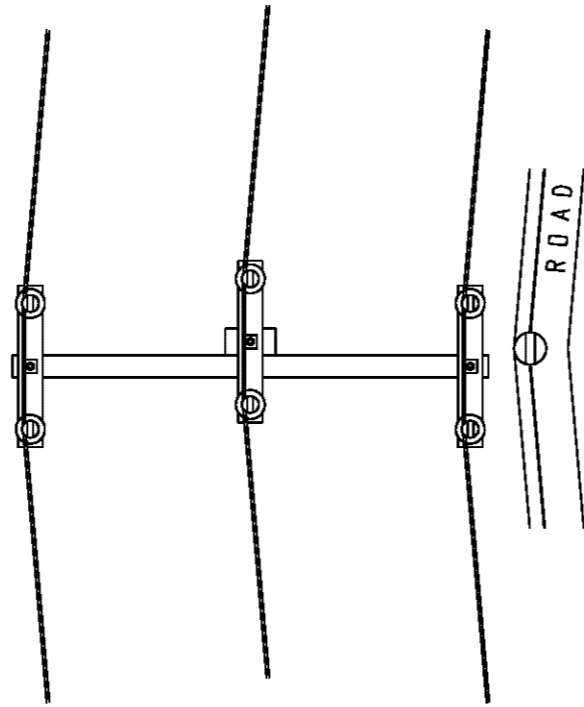
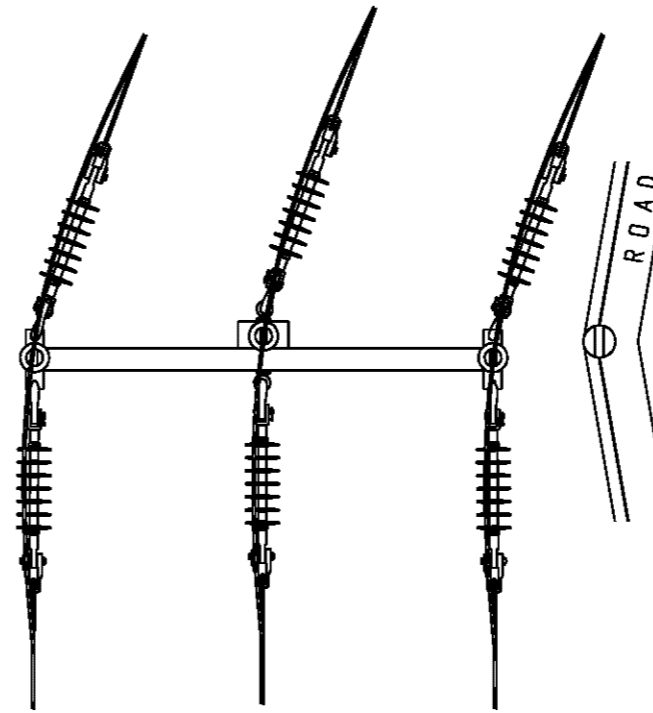


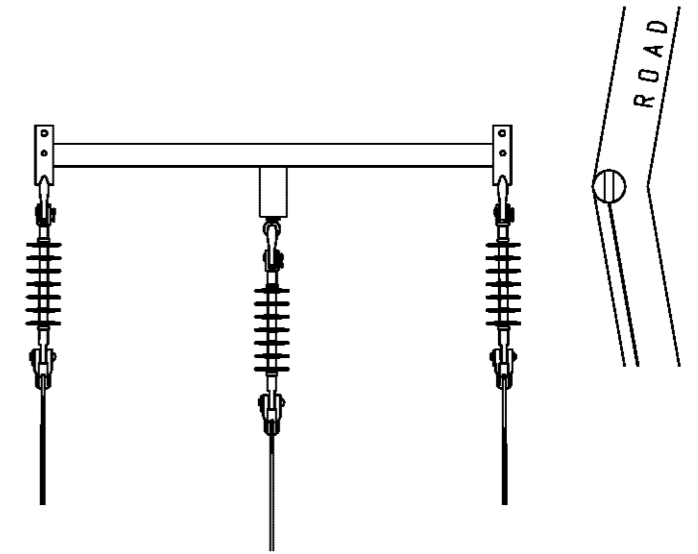
TYPE A
SCALE 1:40
REFER DRG S01-02-01-17



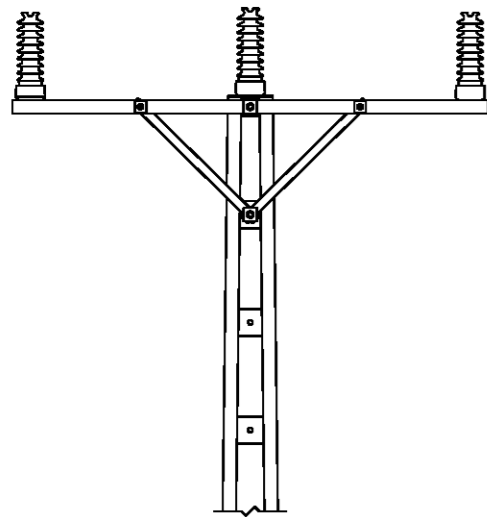
TYPE B
SCALE 1:40
REFER DRG S01-02-01-18



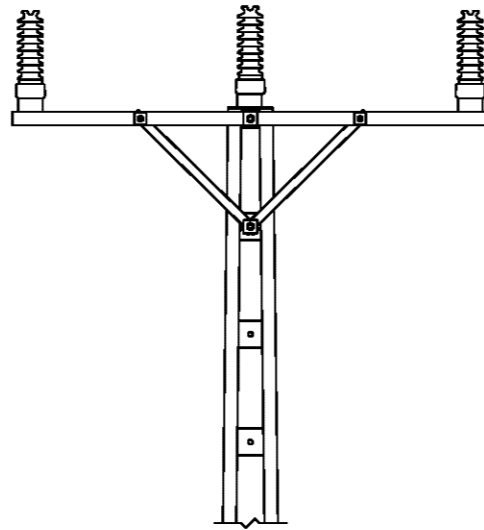
TYPE C
SCALE 1:40
REFER DRG S01-02-01-52



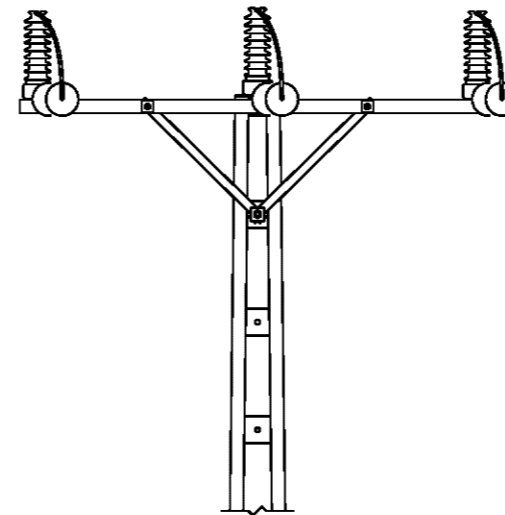
TYPE D
SCALE 1:40
REFER DRG S01-02-01-70



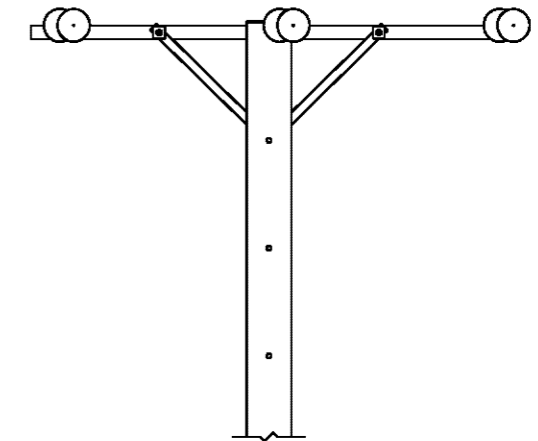
MAX DEVIATION 5°



5°-10° DEVIATION



10°-30° DEVIATION



TERMINATION

NO	DESCRIPTION	DRN	DATE	CKD	APPD
2	TITLEBLOCK & DRAWING NUMBERS FORMATTED	K.T.	JAN'19	C.C.	C.C.
1	TYPE D ADDED	C.C.	AUG'11	A.T.	S.C.
0	ISSUED FOR CONSTRUCTION	A.S.	7.3.01	M.B.	F.R.R.
AMENDMENTS					



DES	M. BOCK
DRN	R. INNES
CKD	M. BOCK
APPD	F. ROBSON
SCALE	1:40
ISSUED	APR'00
ALL DIM.	IN mm
DRAFTING STANDARD TO A.S.1100	

POWER STANDARD DRAWING	
POLE TOP UNITS HV TYPES A, B, C AND D FOR UNIVERSAL POLE CONSTRUCTION	
A3	DRAWING NUMBER S01-02-02-33
CAD PRODUCT - DO NOT AMEND MANUALLY	

