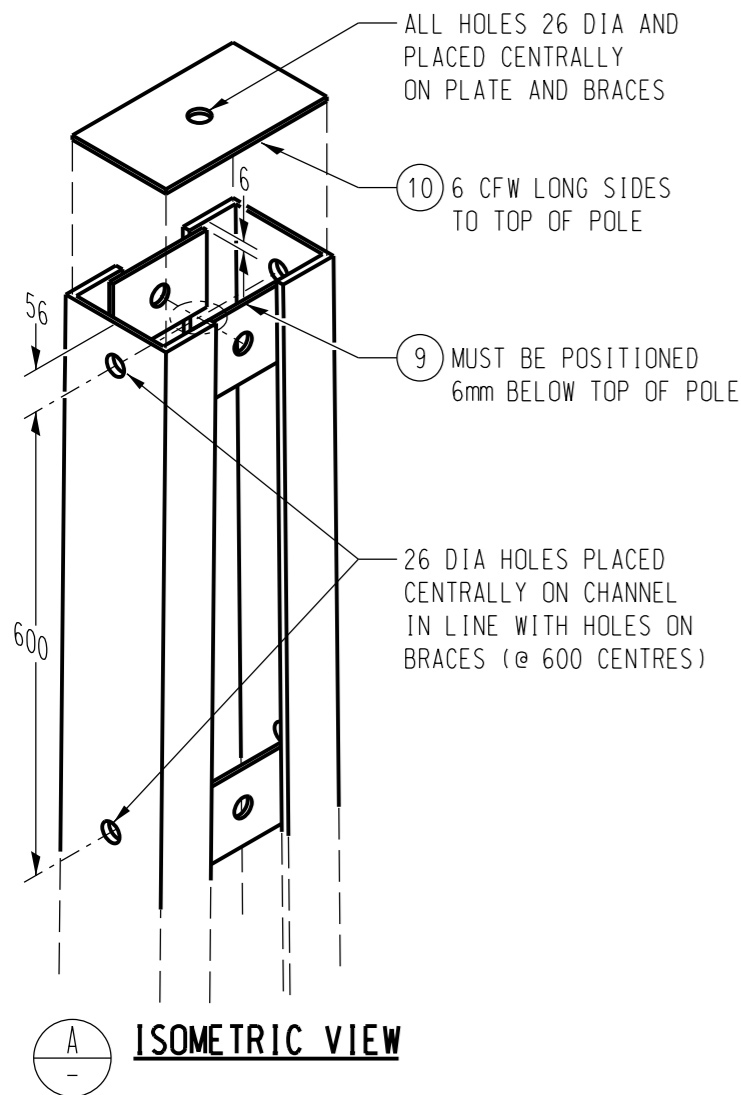


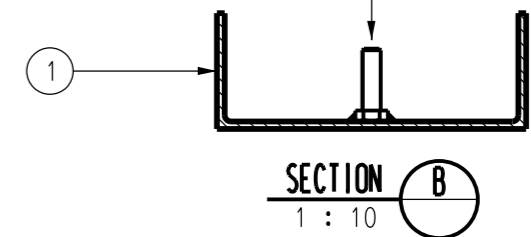
LINE POLE 16.5D - ITEM NUMBER : 298505
LINE POLE 16.5D HD GALVANISED - ITEM NUMBER : 501246

SCALE 1:48



NOTES:

- TOP PLATE AND BASE PLATE DO NOT FORM PART OF THE OVERALL DIMENSION.
- BRACES AND GROUND PLATE TO BE WELDED ON INSIDE OF POLE AND TO HAVE 17mm MIN OVERLAP. ANTI-CLIMBING PLATE TO BE WELDED ON OUTSIDE OF POLE.
- ALL WELDS TO BE 6mm FILLET CONTINUOUS WELD EXCEPT ANTI-CLIMBING PLATE WHICH IS TO HAVE 6mm FILLET 150mm LONG AT BOTH ENDS AND CENTRE.
- ALL ROUGH OR BURRED EDGES ARE TO BE DRESSED CLEAN.
- STEEL TO BE GRADE 300 PLUS, REFER TO BHP 1999 HOT ROLLED STRUCTURAL STEEL PRODUCTS.
- PFC DIMENSIONS ARE TO AS 3679.
- WELDING TO COMPLY WITH AS 1554.
- TOLERANCES TO DIMENSIONS OVER 5m IS +/- 5mm.
- EACH POLE IS TO BE ENGRAVED WITH THE SIZE, TARE WEIGHT, FABRICATORS NAME, AND MONTH AND YEAR OF FABRICATION.
- ENGRAVING SHALL BE IN LETTERS NO LESS THAN 10mm HIGH AND 0.05mm DEEP AND POSITIONED ON THE FIRST GUSSET PLATE ABOVE GROUND LEVEL.



ITEM	QTY	DESCRIPTION	ITEM NUMBER
13	3	M12 x 40 GALVANISED BOLT
12	1	268 x 238 x 10 FMS, TOP PLATE
11	2	220 x 100 x 10 FMS, BRACE, 26 DIA HOLE
10	6	220 x 200 x 10 FMS, BRACES, 26 DIA HOLE
9	8	260 x 200 x 10 FMS, BRACES, 26 DIA HOLE
8	16	330 x 200 x 10 FMS, MID BRACES
6	2	350 x 1400 x 6 FMS, ANTI-CLIMBING PLATE
5	6	450 x 200 x 10 FMS, BRACE UNDER A/CL PLATE
4	2	450 x 500 x 10 FMS, GROUND PLATE
3	8	450 x 200 x 10 FMS, FOOTING BRACES
2	1	605 x 100 x 10 FMS, BASE PLATE
1	2	250 x 90 PFC, 16500 LONG
MATERIAL SCHEDULE			

NO	DESCRIPTION	DRN	DATE	CKD	APPD
4	TITLEBLOCK & DRAWING NUMBER FORMATTED, GALVANISED ITEM ADDED.	K.I.	DEC'18	C.C.	C.C.
3	13ø HOLES FOR PADLOCK ADDED	A.S.	OCT'05	C.C.	C.C.
2	M12 x 40 LONG GALV. BOLTS ITEM 12 ADDED, ITEM 6 RAISED	A.S.	28.5.03	R.C.	M.B.
1	M12 X 40 LONG GALVANISED BOLTS ITEM 13 ADDED	A.S.	29.5.03	R.C.	M.B.
0	ISSUED FOR CONSTRUCTION	A.S.	7.3.01	M.B.	F.R.R.



DES	M. BOCK
DRN	R. INNES
CKD	R. CLEOPAS
APPD	M. BOCK
SCALE	1:48
ISSUED	JULY '00
ALL DIM. IN mm	

**POLES
LINE 16.5D
BOLTED CONNECTIONS TYPE**

A3 DRAWING NUMBER S01-01-01-14

DRAFTING STANDARD TO A.S.1100

CAD PRODUCT - DO NOT AMEND MANUALLY

