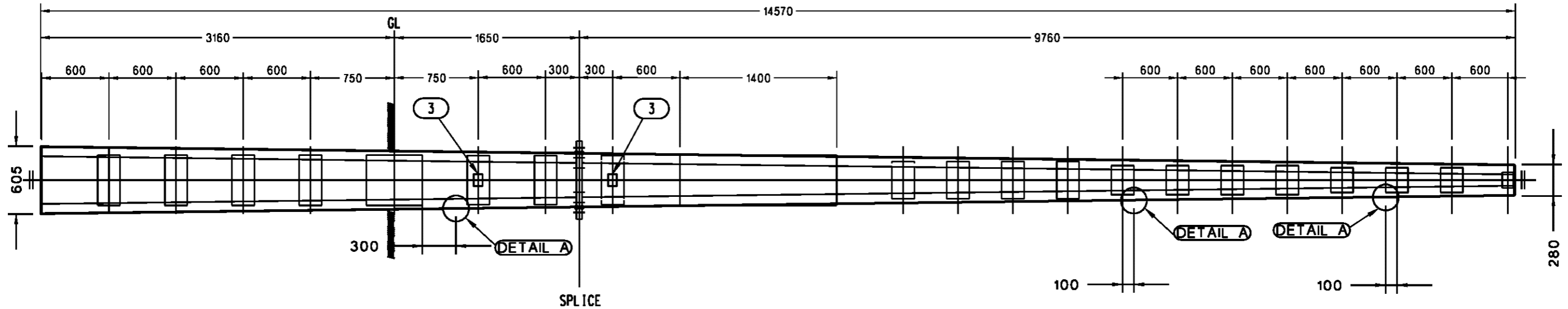


TWO PIECE SPLICED POLE 13.5D - ITEM NUMBER : 503629

TOTAL MASS 13.5D - TOP - 881Kg

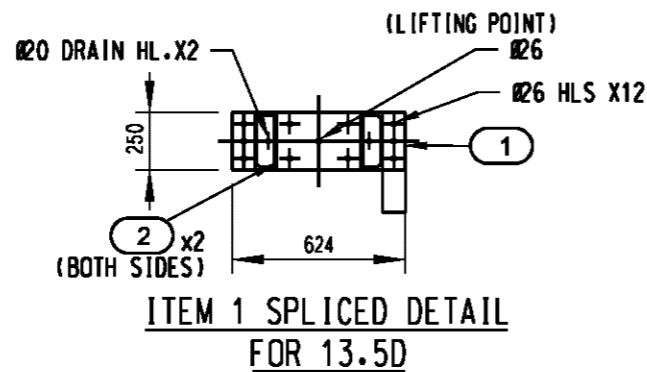
TOTAL MASS 13.5D - BOTTOM - 453Kg



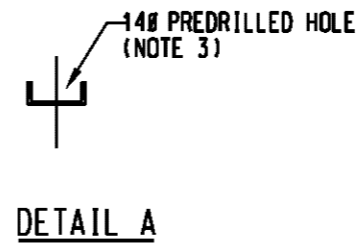
ELEVATION VIEW
NOT TO SCALE

XXX ← FABRICATOR'S NAME
01 - 15 ← MONTH AND YEAR OF FABRICATION
12B ← POLE SIZE
1001B ← UNIQUE SECTION IDENTIFIER SEQUENCE (#####T OR #####B)
202 KG ← SECTION'S TIER WEIGHT

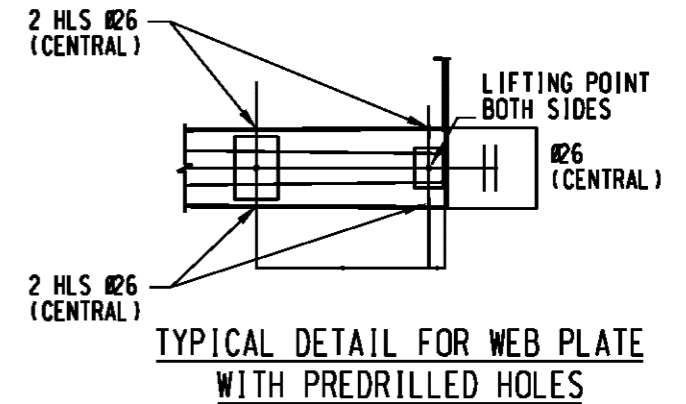
ITEM 3 POLE DATA PLATE DETAILS



ITEM 1 SPLICED DETAIL FOR 13.5D



DETAIL A



TYPICAL DETAIL FOR WEB PLATE WITH PREDRILLED HOLES

NOTES:

1. CENTRE OF GRAVITY / LIFTING POINT SHALL BE MARKED ON EACH SECTION.
2. TWO PIECE SPLICED POLE IS NOT THE PREFERRED OPTION FOR GREENFIELD SITES.
3. 14mm PREDRILLED HOLE FOR EARTH BOND AND NEUTRAL BOND TERMINATION.
4. REFER TO S01-02-01-69 FOR INSTALLATION DETAILS.
5. APPLICATION OF THIS POLE IS RESTRICTED FOR INTERNAL POWER NETWORKS USE ONLY. FOR OTHER APPLICATIONS AND APPROVALS, CONTACT POWER NETWORKS STANDARDS.

ITEM	QTY. 13.5D	MATERIAL DESCRIPTION
1	2	648 x 250 x 25 FMS. FLANGE PLT. 26 DIA HOLES
2	4	218 x 200 x 8 FMS. STIFFENER PLT.
3	2	POLE DATA NAME PLATE

1	TITLEBLOCK & DRAWING NUMBERS FORMATTED	K.T.	DEC '18	C.C.	C.C.
0	ISSUED FOR CONSTRUCTION	J.NOY	FEB'16	A.TAY	I.BAS
NO	DESCRIPTION	DRN	DATE	CKD	APPD
AMENDMENTS					



DES	J.NOYNAY	POWER STANDARD DRAWING		
DRN	A.TAYLOR	TWO PIECE SPLICED POLE		
CKD	I.BASHIR	LINE 13.5D		
APPD	AS SHOWN	BOLTED CONNECTIONS TYPE		
SCALE	MAR '16	A3	DRAWING NUMBER	S01-01-01-36
ISSUED	mm			
ALL DIM.	IN mm	DRAWING NUMBER		S01-01-01-36
DRAFTING STANDARD TO A.S.1100		CAD PRODUCT - DO NOT AMEND MANUALLY		AMDT