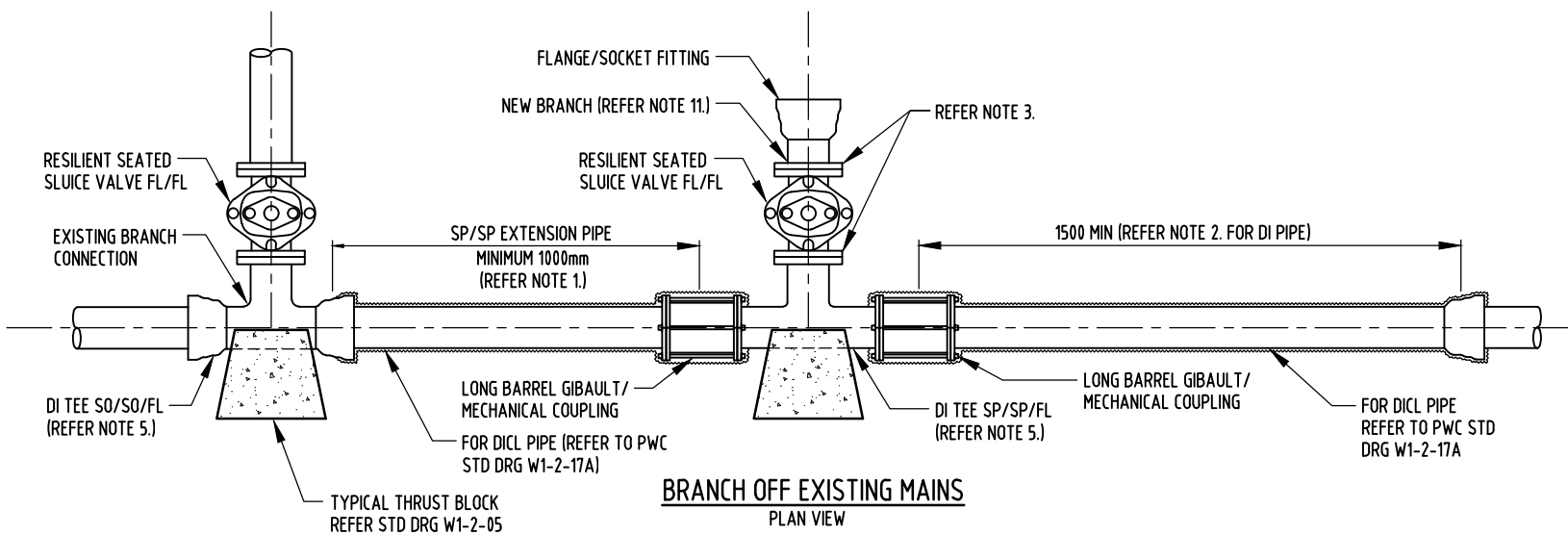
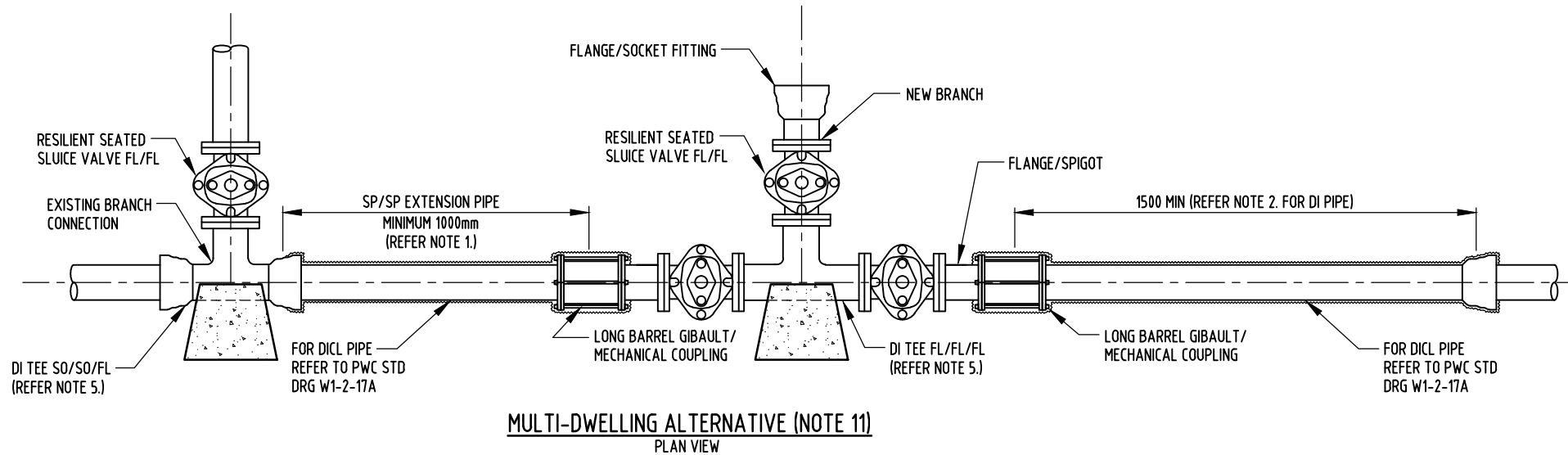


BRANCH OFF NEW MAINS (PRIOR TO COMMISSIONING)
PLAN VIEW



BRANCH OFF EXISTING MAINS
PLAN VIEW



MULTI-DWELLING ALTERNATIVE (NOTE 11)
PLAN VIEW

NOTES:

1. MATERIAL AND CLASS OF EXTENSION PIPE SHALL BE SIMILAR TO THAT OF RETICULATION MAIN, EXCEPT WHERE EXISTING MAIN IS ASBESTOS CEMENT AND IN THIS CIRCUMSTANCE, THE SP/SP EXTENSION PIPE SHALL BE DUCTILE IRON AND LOOSE SLEEVED WITH POLYETHYLENE SLEEVING.
2. ON A DI PIPE, A TEE SHALL NOT BE INSTALLED WITHIN, OR PARTLY WITHIN, 1500mm OF THE SOCKET END OF THE SAME PIPE. THIS IS BECAUSE THE OUTSIDE DIAMETER OF THE PIPE BARREL MAY NOT COMPLY WITH THE TOLERANCE REQUIREMENTS SPECIFIED IN AS/NZS 2280 WITHIN 1500mm OF THE PIPE SOCKET. AS A CONSEQUENCE, RUBBER RING JOINTS MAY NOT SEAT AND SEAL CORRECTLY IF INSTALLED ON THIS SECTION OF THE PIPE BARREL. IF IT IS NECESSARY TO INSTALL A BRANCH WITHIN THIS SECTION, THE PIPE SHALL BE REMOVED AND A SUITABLE LENGTH OF PIPE INTRODUCED, TOGETHER WITH MECHANICAL COUPLINGS.
3. FOR BRANCHES ON EXISTING MAINS USE GALVANISED BOLTS ON FLANGED FITTINGS (GRADE 4.6 UP TO PN16) WITH GALVANISED WASHERS UNDER BOLT HEAD AND NUT, THEN WRAP FLANGES AND GALVANISED BOLTS WITH PETROLATUM TAPE SYSTEM PRIOR TO BACKFILLING.
4. FOR BRANCHES ON NEW MAINS, USE STAINLESS STEEL BOLTS ON FLANGED FITTINGS (CLASS 50 UP TO PN16) WITH STAINLESS STEEL WASHERS UNDER BOLT HEAD AND NUT.
5. USE DI TEE WITH INTERNAL AND EXTERNAL FUSION BONDED COATING.
6. DO NOT USE TEES OR OTHER FITTINGS THAT HAVE ANY DAMAGE TO FUSION BONDED INTERNAL COATING.
7. DO NOT USE TEES OR OTHER FITTINGS THAT HAVE ANY DAMAGE TO FUSION BONDED EXTERNAL COATING THAT EXCEEDS 25mm x 25mm. FOR DAMAGE TO FUSION BONDED EXTERNAL COATING LESS THAN 25mm x 25mm, REPAIR BY WRAPPING WITH 50mm WIDE PETROLATUM TAPE.
8. DO NOT INSTALL NEW BRANCH WITHIN ONE METRE OF SERVICE TAPPINGS OR OTHER FITTINGS.
9. ONLY POWER AND WATER (OR ITS AUTHORISED CONTRACTORS) ARE PERMITTED TO TAP EXISTING, IN-SERVICE (LIVE) MAINS OR MAINS THAT HAVE BEEN HYDROSTATICALLY TESTED. WITHIN LICENSED AREA AND UPON PAYMENT OF THE NECESSARY FEES, POWER AND WATER WILL PERFORM TAPPING OF LIVE MAINS, HOWEVER, EXCAVATION, ALL MATERIALS AND INSTALLATION SHALL BE SUPPLIED BY THE CONTRACTOR.
10. ROAD CROSSINGS IN CBD AREAS OR DESIGNATED HIGHER PRESSURE ZONES SHALL USE DUCTILE IRON PIPE LOOSE SLEEVED WITH POLYETHYLENE SLEEVING FROM BRANCH TO 500mm BEYOND OPPOSITE KERB.
11. IF ANY BRANCH SERVICES A MULTI-DWELLING DEVELOPMENT OF 25 UNITS OR MORE, INSTALL VALVES EACH SIDE OF NEW BRANCH AS SHOWN ON MULTI-DWELLING ALTERNATIVE.

3	GENERAL AMENDMENTS 2020.	PW	JULY'20	JR	DC
2	REDRAWN IN AUTOCAD	AW	JUNE'18	JR	DC
1	REVISED DETAILS AND CHANGED NOTES	KI	JUN'07	RJ	JP
NO	DESCRIPTION	DRN	DATE	CKD	APPD
AMENDMENTS					



DES	KP	WATER STANDARD DRAWING		
DRN	AD	SERVICES		
CHK	NM	DN100-300 WATER MAIN		
APPD	NM	TYPICAL DETAILS - BRANCH OFF MAINS		
SCALE	N.T.S.	A3	DRAWING NUMBER	3
ISSUED	OCT'99		W1-16	
ALL DIM. IN mm				AMDT
DRAFTING STANDARD TO A.S.1100		CAD PRODUCT - DO NOT AMEND MANUALLY		