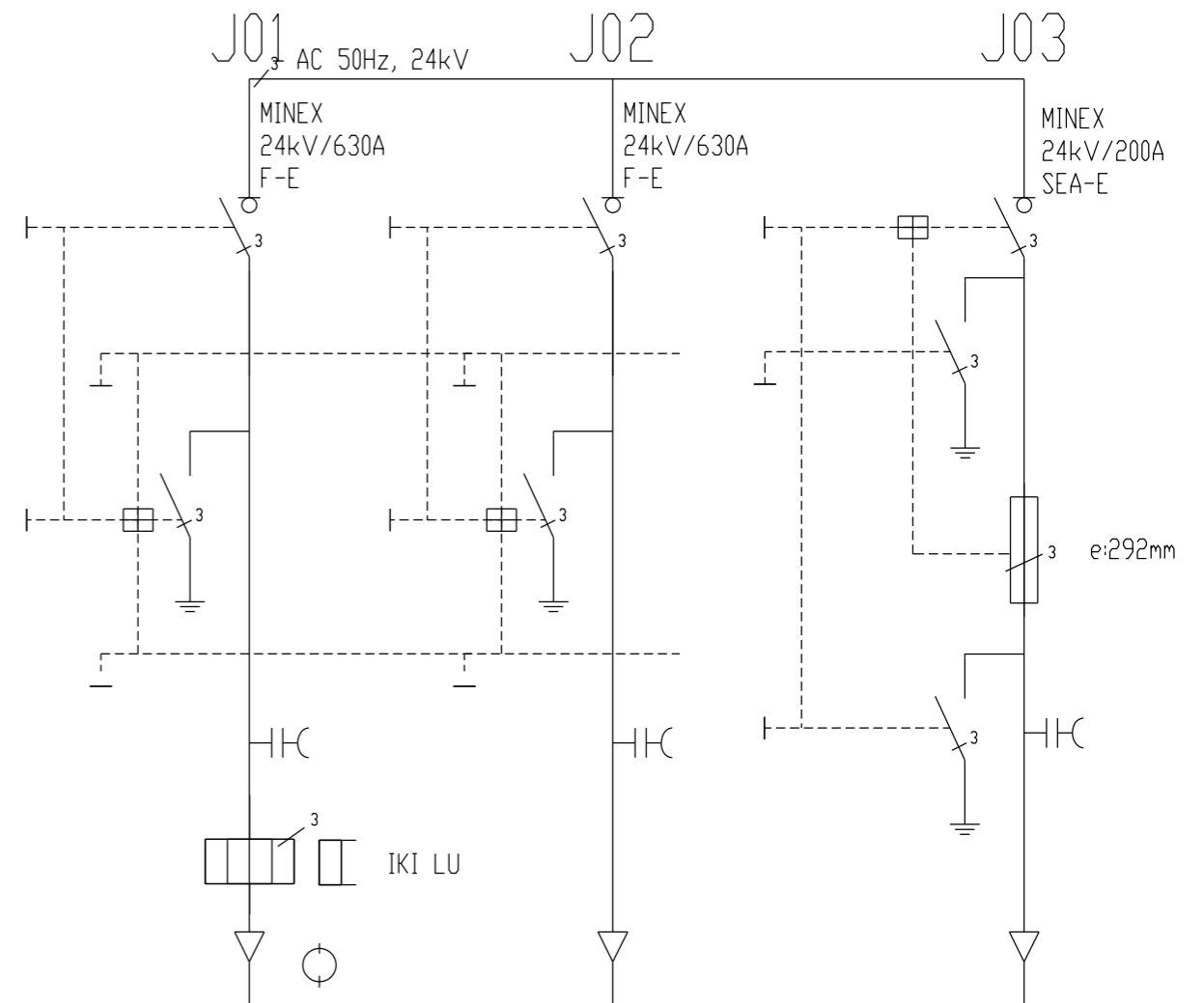


ITEM NUMBER: 504464

NOTES:

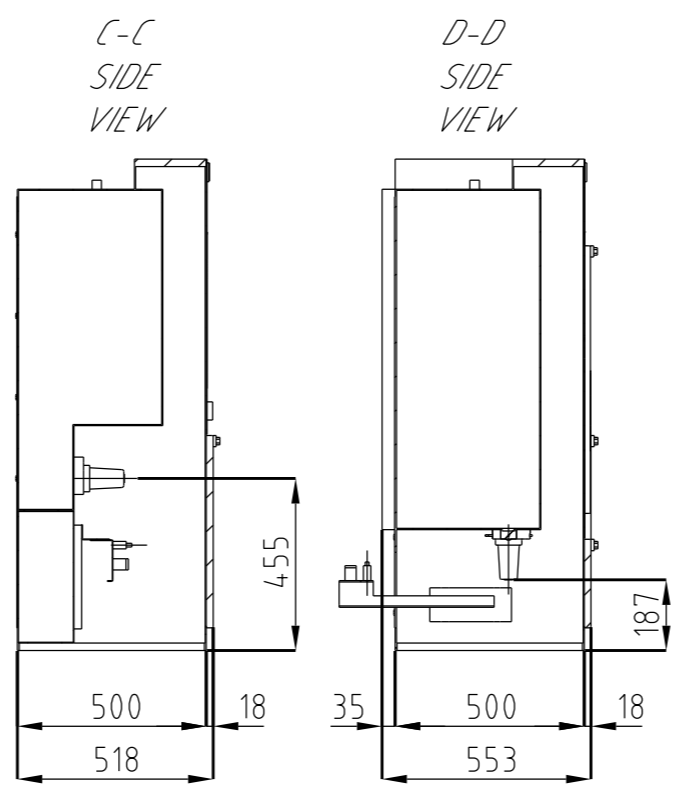
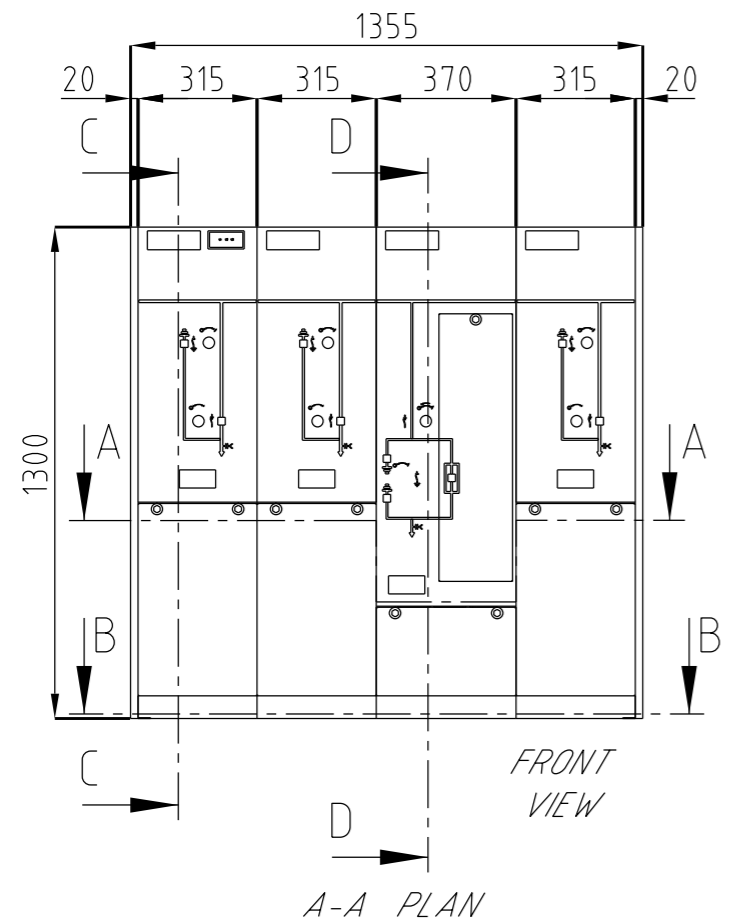
1. ALL MINEX RMU'S ARE FITTED WITH THE ANTI-BURST SYSTEM INSTALLED IN THE RMU TANK AS WELL AS THE CABLE COMPARTMENTS.
2. ALL RMU'S SHALL BE RATED AT 24KV, REFER TO STANDARDS BULLETIN S01-061.
3. SWITCH ISOLATORS (K CUBICALS) ARE RATED AT 630A.
4. FUSED SWITCHES (T CUBICALS) ARE RATED AT 200A.
5. RMU FAULT RATING IS 25KA.1SEC.
6. ALL BUSHINGS SHALL BE 630A IN ACCORDANCE WITH DIN 47636.
7. ALL CABLE DESTINATION AND SWITCH NUMBER TAGS SHALL BE ATTACHED TO THE RMU AT THE SPECIFIED LOCATIONS WITH FACTORY PROVIDED SCREWS.
8. FAULT INDICATORS SHALL BE FITTED TO SWITCH CUBICAL
9. ALL CUBICALS SHALL BE FITTED WITH VOLTAGE INDICATORS.
10. ALL FUSES USED IN MINEX RMU'S SHALL BE 292MM LONG DIN 43625 STANDARD. REFER TO S02-01-04-03 FOR FURTHER DETAILS.
11. ALL CABLE TERMINATIONS SHALL BE SCREENED DEAD-BREAK TERMINATIONS, REFER TO S02-01-02-21.
12. PHASE SEQUENCE IN K CUBICALS SHALL BE RED - WHITE - BLUE FROM LEFT TO RIGHT (FRONT TO BACK) OF THE RMU.
13. PHASE SEQUENCE IN T CUBICALS SHALL BE RED - WHITE - BLUE FROM LEFT TO RIGHT AS THE OPERATOR LOOKS AT THE RMU.



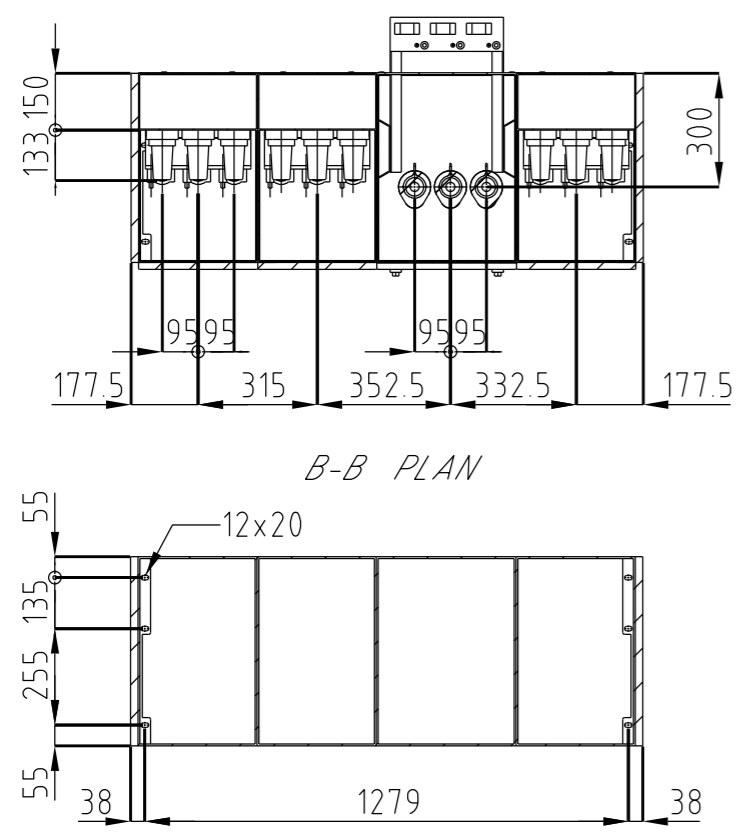
0	ISSUED FOR CONSTRUCTION	CWM	OCT 2019	BV	BC
NO	DESCRIPTION	DRN	DATE	CKD	APPD
AMENDMENTS					



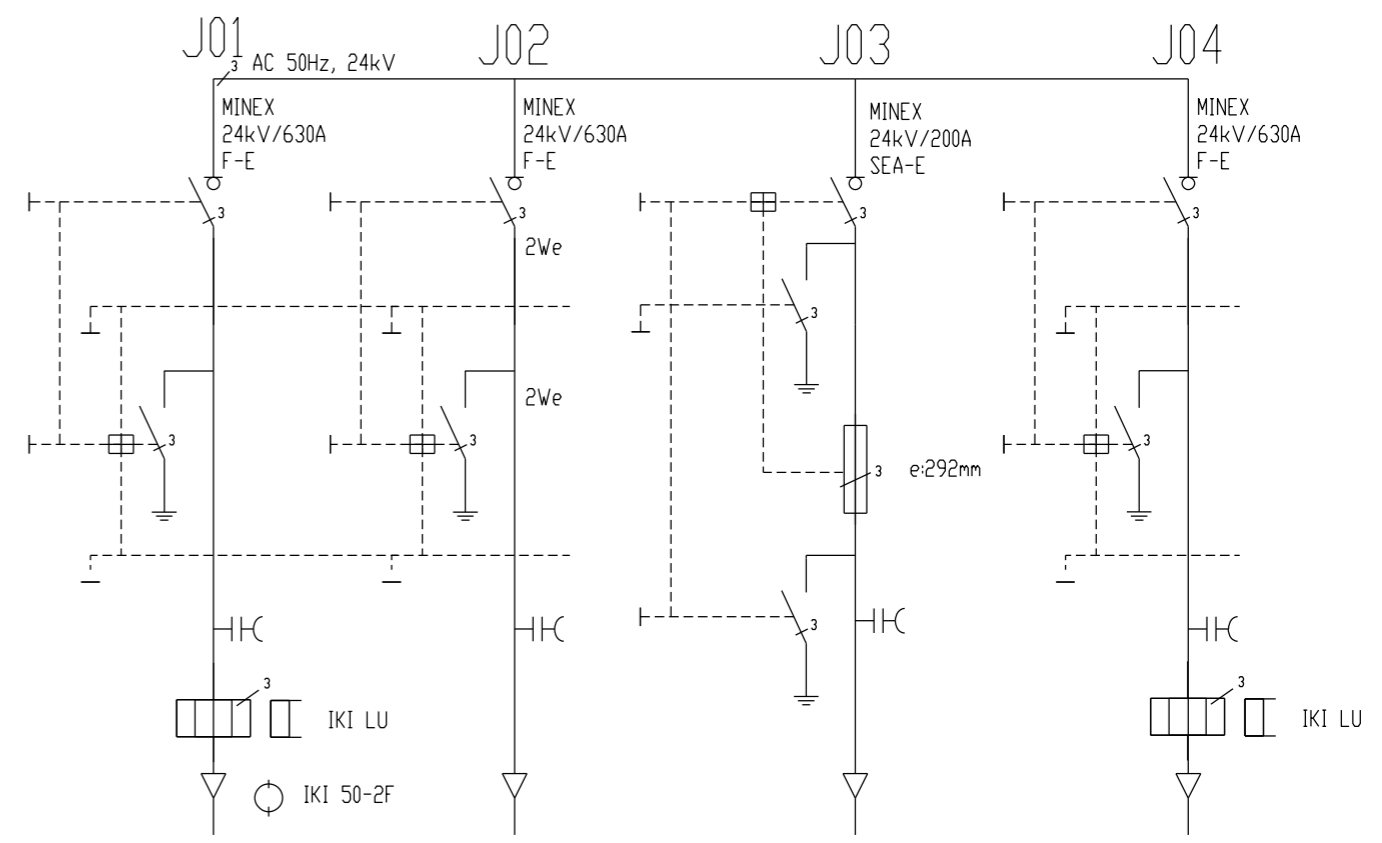
DES	B.CHEUNG	POWER STANDARD DRAWING			
DRN	C.MCLAREN	SWITCHGEAR			
CKD	B.CHEUNG	DRIESCHER MINEX RMU			
APPD	B.CHEUNG	SHEET 1 OF 2 TYPE K-K-T			
SCALE	AS SHOWN	A3	DRAWING NUMBER	S02-01-04-28_1	
ISSUED	SEPT 2019			AMDT	
ALL DIM. IN mm		DRAFTING STANDARD TO A.S.1100		CAD PRODUCT - DO NOT AMEND MANUALLY	



- NOTES:
1. ALL MINEX RMU'S ARE FITTED WITH THE ANTI-BURST SYSTEM INSTALLED IN THE RMU TANK AS WELL AS THE CABLE COMPARTMENTS.
 2. ALL RMU'S SHALL BE RATED AT 24KV, REFER TO STANDARDS BULLETIN S01-061.
 3. SWITCH ISOLATORS (K CUBICALS) ARE RATED AT 630A.
 4. FUSED SWITCHES (T CUBICALS) ARE RATED AT 200A.
 5. RMU FAULT RATING IS 25KA.1SEC.
 6. ALL BUSHINGS SHALL BE 630A IN ACCORDANCE WITH DIN 47636.
 7. ALL CABLE DESTINATION AND SWITCH NUMBER TAGS SHALL BE ATTACHED TO THE RMU AT THE SPECIFIED LOCATIONS WITH FACTORY PROVIDED SCREWS.
 8. FAULT INDICATORS SHALL BE FITTED TO SWITCH CUBICAL
 9. ALL CUBICALS SHALL BE FITTED WITH VOLTAGE INDICATORS.
 10. ALL FUSES USED IN MINEX RMU'S SHALL BE 292MM LONG DIN 43625 STANDARD. REFER TO S02-01-04-03 FOR FURTHER DETAILS.
 11. ALL CABLE TERMINATIONS SHALL BE SCREENED DEAD-BREAK TERMINATIONS, REFER TO S02-01-02-21.
 12. PHASE SEQUENCE IN K CUBICALS SHALL BE RED - WHITE - BLUE FROM LEFT TO RIGHT (FRONT TO BACK) OF THE RMU.
 13. PHASE SEQUENCE IN T CUBICALS SHALL BE RED - WHITE - BLUE FROM LEFT TO RIGHT AS THE OPERATOR LOOKS AT THE RMU.



ITEM NUMBER: 504463



0	ISSUED FOR CONSTRUCTION	CWM	OCT 2019	BV	BC
NO	DESCRIPTION	DRN	DATE	CKD	APPD
AMENDMENTS					



DES	B.CHEUNG	POWER STANDARD DRAWING			
DRN	C.MCLAREN	SWITCHGEAR DRIESCHER MINEX RMU SHEET 2 OF 2 TYPE K-K-T-K			
CKD	B.CHEUNG				
APPD	B.CHEUNG	A3	DRAWING NUMBER	S02-01-04-28_2	
SCALE	AS SHOWN				
ISSUED	SEPT '19	CAD PRODUCT - DO NOT AMEND MANUALLY			
ALL DIM. IN	mm				
DRAFTING STANDARD TO A.S.1100				AMDT	