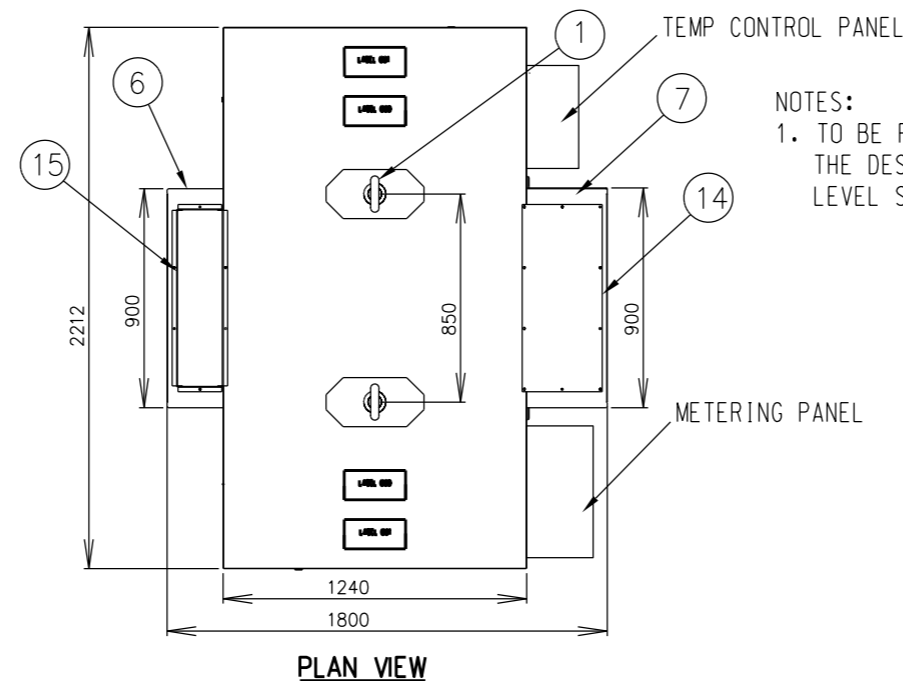
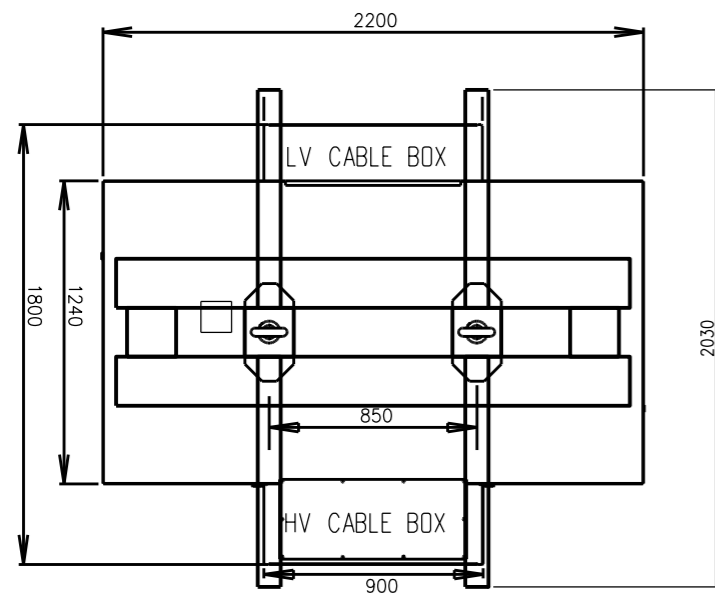


11KV TRANSFORMERS	
KVA RATING	ITEM NUMBER
1000KVA	502494
1500KVA	TBA



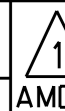
NOTES:
1. TO BE READ IN CONJUNCTION WITH THE DESIGN GUIDELINES FOR UPPER LEVEL SUBSTATION CHAMBERS

ITEM	QTY	DESCRIPTION
1	2	LIFTING EYES 6.4 TON @ 60° CHAINS
2	2	WHEEL TROLLEY ASSEMBLY
3	3	REMOVABLE WINDOW TO ACCESS TAP CHANGER
4	4	EARTHING STRAPS
5	14	AIR VENTILATION LOUVRES
6	1	HV CABLE BOX
7	1	LV CABLE BOX
8	3	HV CABLES CLAMPING SYSTEM
9	8	LV CABLES CLAMPING SYSTEM
10	4	LV BOX FUSES
11	1	METERING PANEL BOX
12	1	TEMP CONTROL BOX
13	2	SPREADER BAR
14	1	UNDRILLED 3MM ALUMINIUM GLAND PLATE
15	1	UNDRILLED 3MM ALUMINIUM GLAND PLATE
16	3	LV SURGE ARRESTORS

1	TITLEBLOCK & DRAWING NUMBER FORMATTED	K. T.	FEB'19	C.C.	C.C.
0	ISSUED FOR CONSTRUCTION	A. T.	JUN'14	B.C.	B.C.
NO	DESCRIPTION	DRN	DATE	CKD	APPD
AMENDMENTS					

PowerWater
NORTHERN TERRITORY

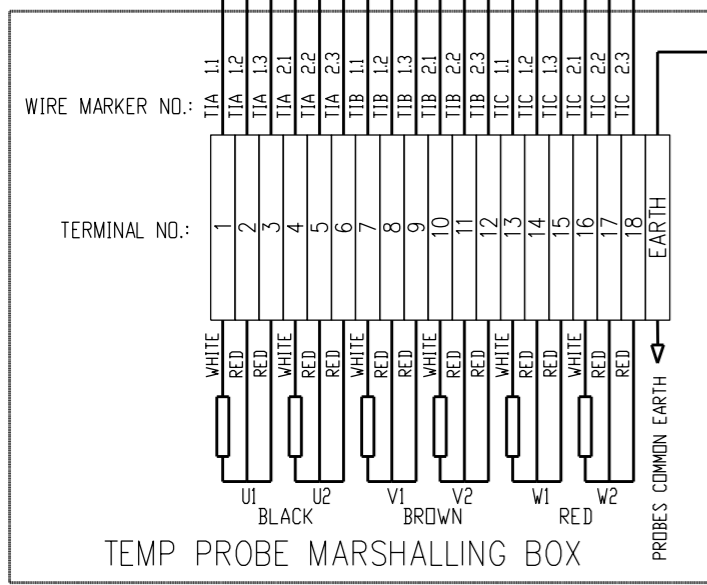
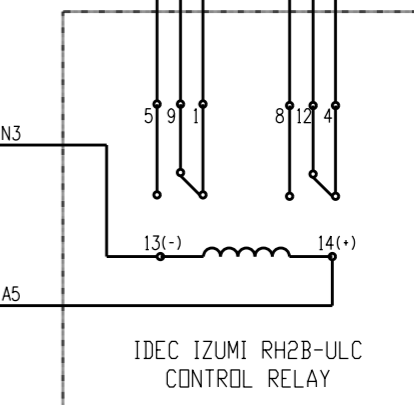
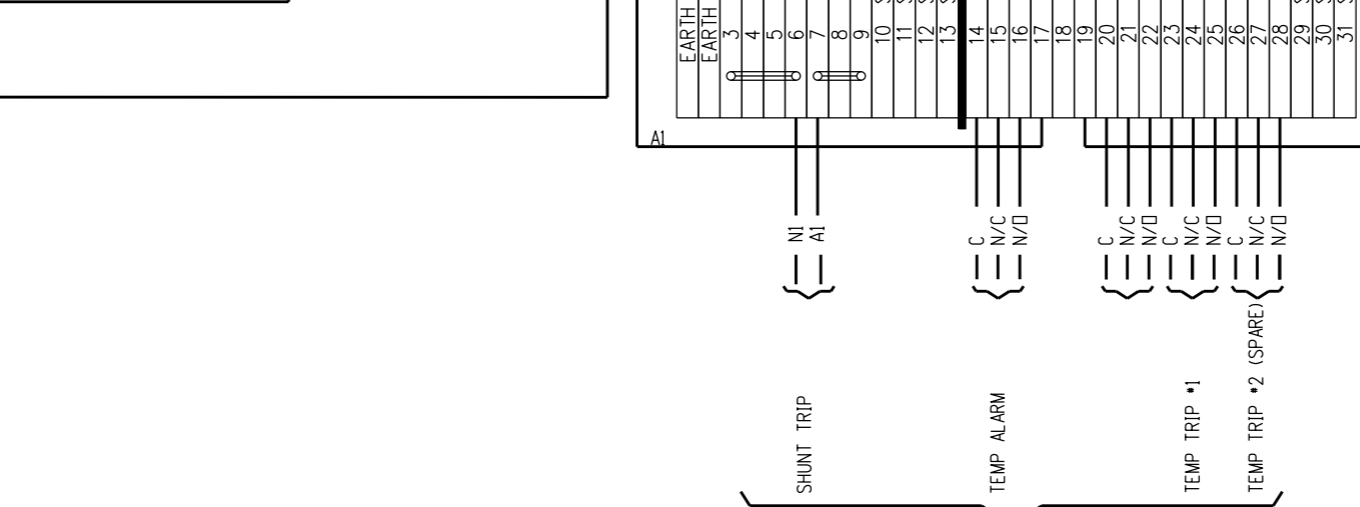
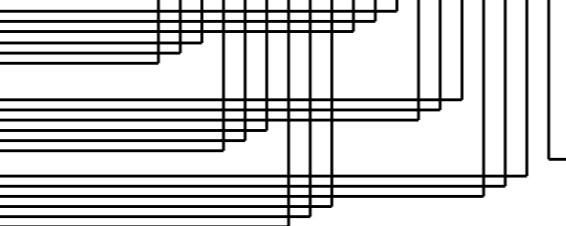
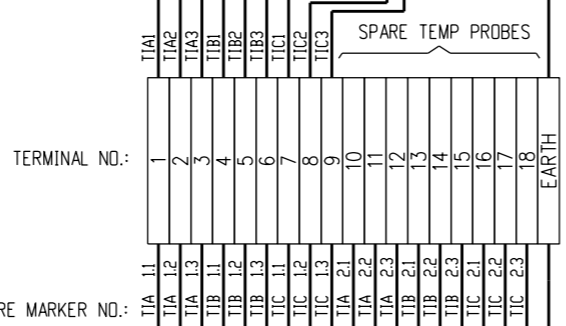
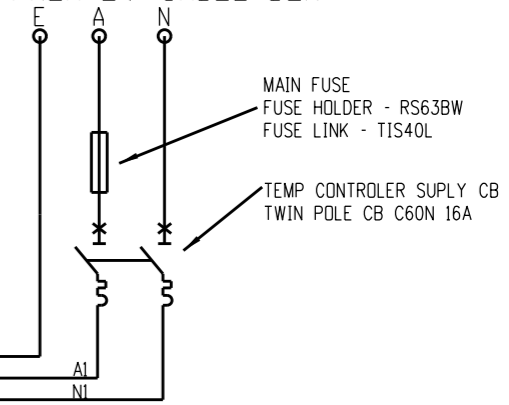
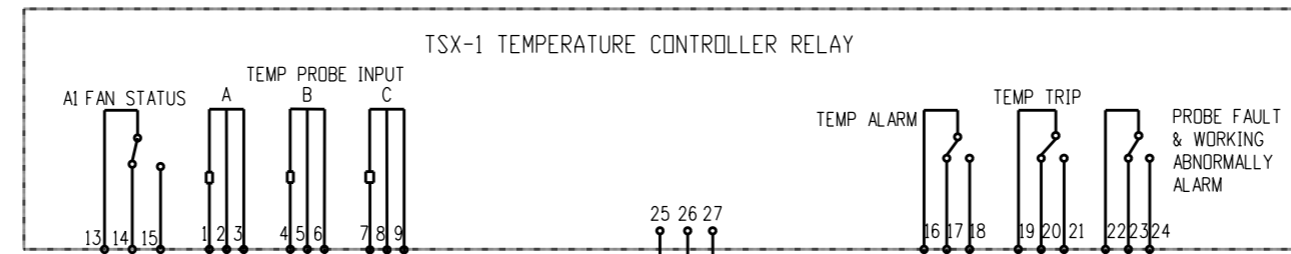
DES	B. CHEUNG	POWER STANDARD DRAWING	
DRN	A. TAYLOR	TRANSFORMERS TESAR DRY TYPE IN ENCLOSURE 1000 AND 1500KVA	
CKD	A. TAYLOR		
APPD	B. CHEUNG	A3	DRAWING NUMBER S02-01-06-08_1
SCALE	N.T.S.		
ISSUED	APR'14	DRAFTING STANDARD TO A.S.1100	
ALL DIM. IN mm		CAD PRODUCT - DO NOT AMEND MANUALLY	



240V AC TEMPERATURE CONTROLLER
SUPPLY FROM LV CABLE BOX

WIRING:

1. RED FOR ACTIVE
2. BLACK FOR NEUTRAL
3. GREEN/YELLOW FOR EARTHING
4. GRAY FOR OTHER TERMINALS
5. 1.5sqmm COPPER CABLE



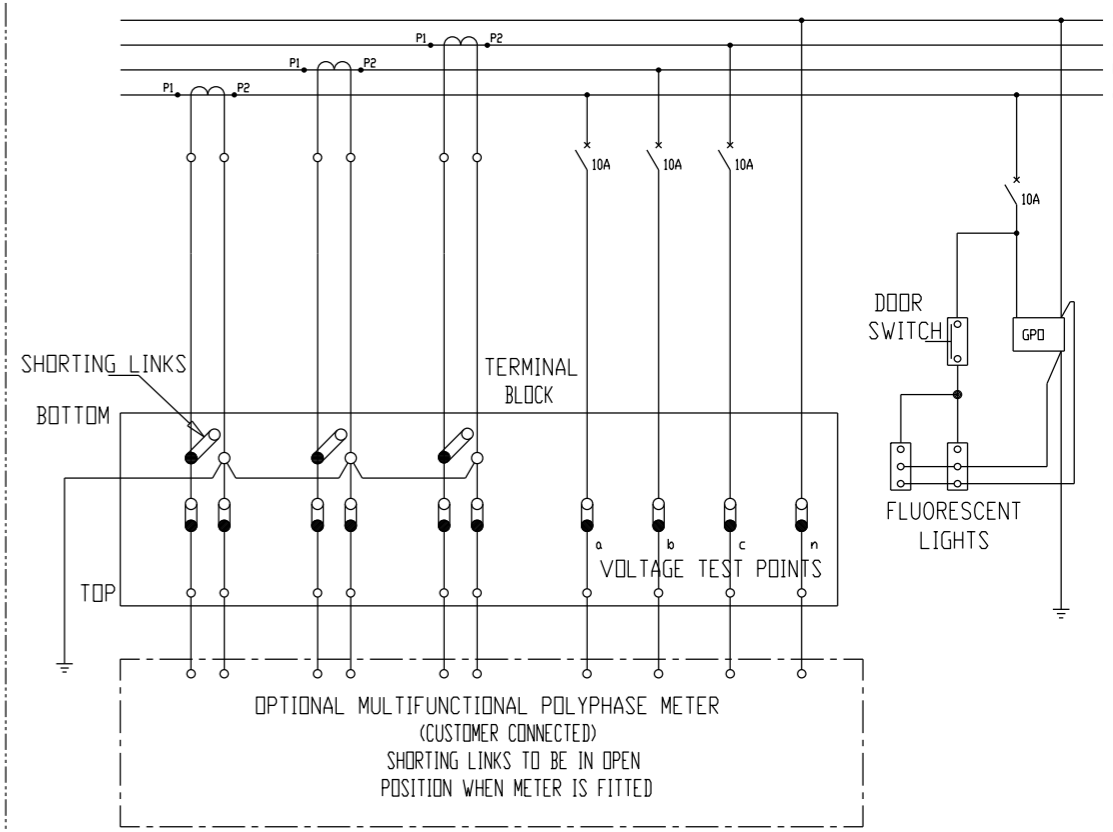
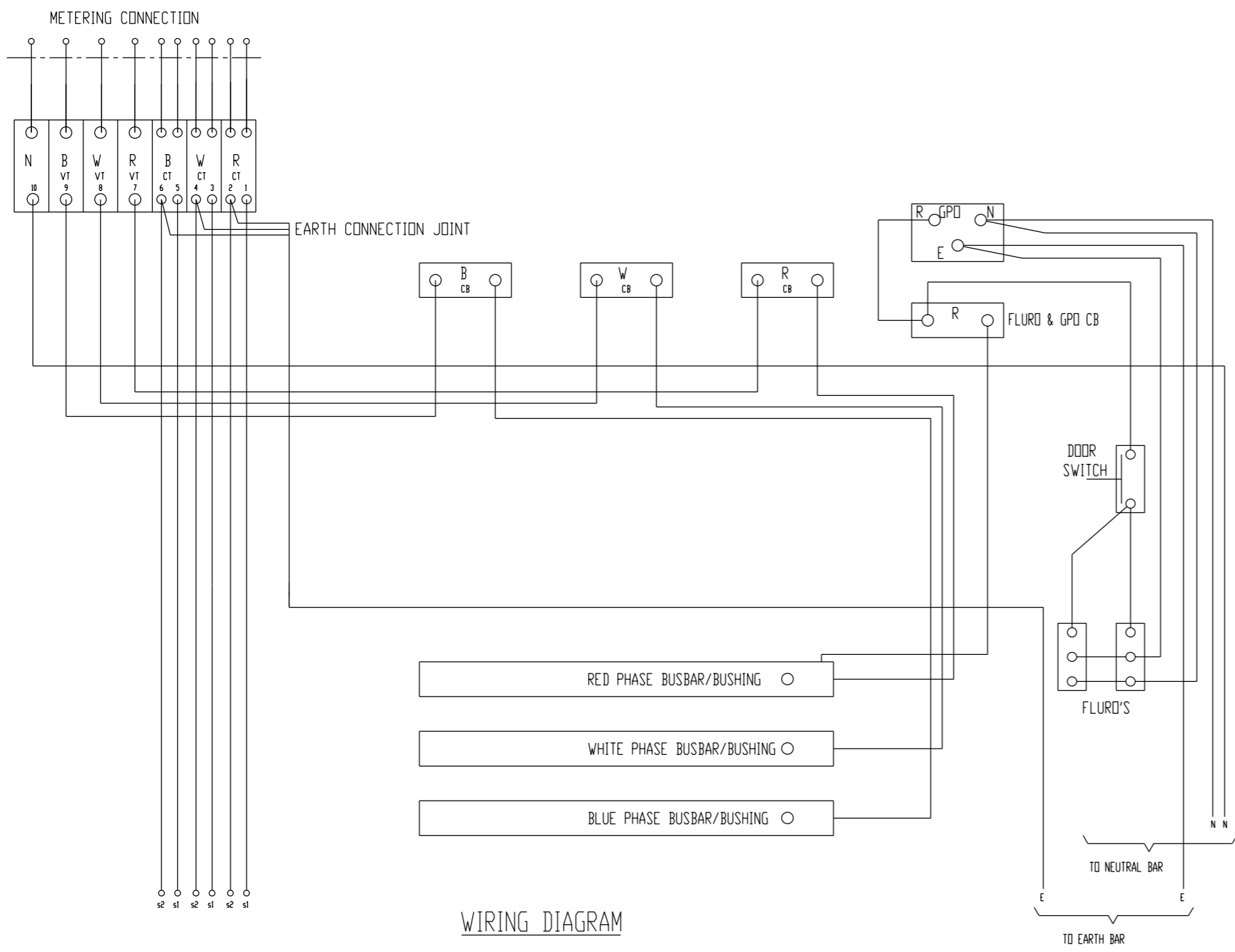
TEMPERATURE CONTROL PANEL

1	TITLEBLOCK & DRAWING NUMBER FORMATTED	K.T.	FEB'19	C.C.	C.C.
0	ISSUED FOR CONSTRUCTION	A.T.	JUN'14	A.T.	B.C.
NO	DESCRIPTION	DRN	DATE	CKD	APPD
AMENDMENTS					



DES	B.CHEUNG	POWER STANDARD DRAWING	
DRN	A.TAYLOR	TRANSFORMERS TEASR DRY TYPE IN ENCLOSURE 1000 AND 1500KVA TEMPERATURE CONTROL WIRING DIAGRAM	
CKD	A.TAYLOR		
APPD	B.CHEUNG		
SCALE	N.T.S.	A3	DRAWING NUMBER S02-01-06-08_2
ISSUED	APR'14		
ALL DIM.	IN mm	DRAFTING STANDARD TO A.S.1100	
		CAD PRODUCT - DO NOT AMEND MANUALLY	





NOTES:

CT1-CT3 TRANSFORMERS CURRENT METERING
 ALL FUSES CONNECTED FROM LV BUSHINGS AND WIRED USING 7/1.04mm 0.6/1kV
 ALL OTHER WIRING 7/0.67mm 0.6/1kV
 NEUTRAL/EARTH CONNECTIONS MADE TO SUBSTATION NEUTRAL/EARTH BAR
 INTERNAL SUBSTATION LIGHTING AND GPO EQUIPMENT TO BE INSTALLED EXTERNAL TO DRY TYPE TRANSFORMER ENCLOSURE

						DES B.CHEUNG		POWER STANDARD DRAWING	
						DRN A.TAYLOR		TRANSFORMER	
						CKD A.TAYLOR		TESAR DRY TYPE IN ENCLOSURE	
						APPD B.CHEUNG		1000 AND 1500KVA	
						SCALE N.T.S.		METERING WIRING DIAGRAM	
						ISSUED APR' 14		A3	DRAWING NUMBER
						ALL DIM. IN mm			
						DRAFTING STANDARD TO A.S.1100		CAD PRODUCT - DO NOT AMEND MANUALLY	
1 TITLEBLOCK & DRAWING NUMBER FORMATTED		K.T. FEB' 19 C.C. C.C.							
0 ISSUED FOR CONSTRUCTION		A.T. JUN' 14 A.T. B.C.							
NO	DESCRIPTION	DRN	DATE	CKD	APPD				
AMENDMENTS									

