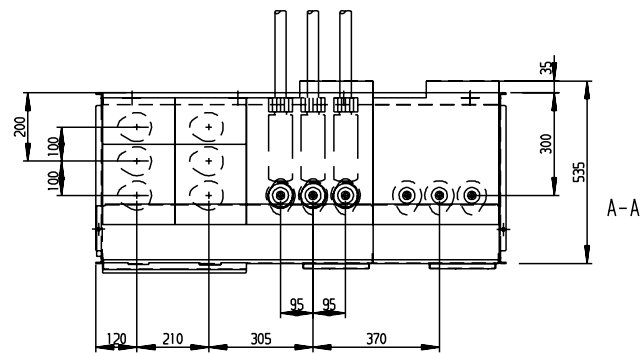
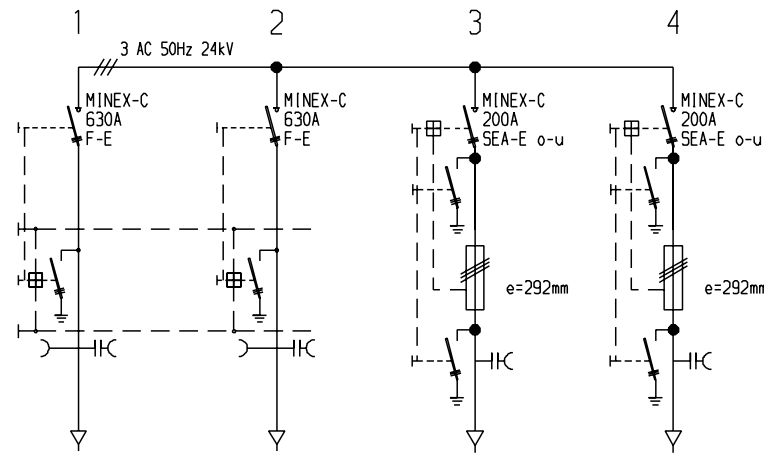


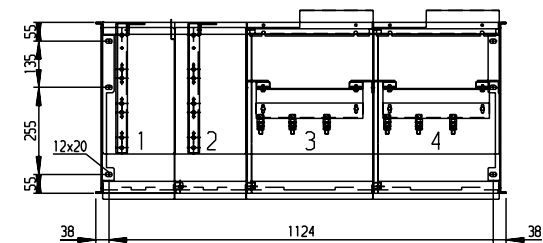
MINEX-C 24kV/630A



A-A



DRIESCHER MINEX-C KKT  
ITEN NUMBER: 413954



B-B

NOTES:

1. ALL MINEX-C RMU'S ARE FITTED WITH THE ANTI-BURST SYSTEM INSTALLED IN THE RMU TANK AS WELL AS THE CABLE COMPARTMENTS.
2. ALL RMU'S SHALL BE RATED AT 24KV, REFER TO STANDARDS BULLETIN S01-061.
3. SWITCH ISOLATORS (K CUBICALS) ARE RATED AT 630A.
4. FUSED SWITCHES (T CUBICALS) ARE RATED AT 200A.
5. RMU FAULT RATING IS 25KA.1SEC.
6. ALL BUSHINGS SHALL BE 630A IN ACCORDANCE WITH DIN 47636.
7. ALL CABLE DESTINATION AND SWITCH NUMBER TAGS SHALL BE ATTACHED TO THE RMU AT THE SPECIFIED LOCATIONS WITH FACTORY PROVIDED SCREWS.
8. HORTSMANN COMPASS B FAULT INDICATORS SHALL BE FITTED TO SWITCH CUBICAL 1 ON EVERY MINEX-C RMU. COMPASS B FAULT INDICATORS SHALL BE FITTED WITH 3 PHASE CT'S. IF A SUMMATION CT IS FITTED REPLACE IT WITH ITEM NUMBER 501788 AND RECONFIGURE THE FAULT INDICATOR.
10. ALL CUBICALS SHALL BE FITTED WITH HORTSMANN WEGA 1.2C VOLTAGE INDICATORS.
11. ALL FUSES USED IN MINEX-C RMU'S SHALL BE 292MM LONG DIN 43625 STANDARD. REFER TO S02-01-04-03 FOR FURTHER DETAILS.
12. ALL CABLE TERMINATIONS SHALL BE STRAIGHT SCREENED DEAD-BREAK TERMINATIONS, REFER TO TABLE B FOR ITEM NUMBERS.
13. PHASE SEQUENCE IN K CUBICALS SHALL BE RED - WHITE - BLUE FROM THE FRONT TO BACK OF THE RMU.
14. PHASE SEQUENCE IN T CUBICALS SHALL BE RED - WHITE - BLUE FROM LEFT TO RIGHT AS THE OPERATOR LOOKS AT THE RMU.

TABLE B

XLPE CABLE TERMINATION BOOTS, 11kV	
CABLE SIZE sq mm	ITEM NUMBER
95 ALUMINIUM	414778
240 ALUMINIUM	414779
300 COPPER	414780
400 ALUMINIUM	501664
XLPE CABLE TERMINATION BOOTS, 22kV	
CABLE SIZE sq mm	ITEM NUMBER
120 COPPER	414781
240 ALUMINIUM	414783
240 COPPER	414782

ITEM No	DESCRIPTION
1	HORTSMANN WEGA 1.2C VOLTAGE PRESENCE INDICATOR
2	CABLE DESTINATION TAG
3	SWITCH ISOLATOR OPERATING MECHANISM
4	EARTH SWITCH OPERATING MECHANISM
5	SWITCH NUMBER TAG
6	ABS OPERATION INDICATOR
7	HORTSMANN COMPASS B FAULT INDICATOR
8	RMU DATA NAME PLATE
9	INSULATION SPARK TEST POINT
10	INSULATION GAS PRESSURE INDICATOR
11	FUSE SWITCH OPERATION MECHANISM
12	FUSE EARTHING SWITCH OPERATION MECHANISM
13	FUSE INDICATOR MIMIC

2 TITLEBLOCK & DRAWING NUMBER FORMATTED  
1 NOTE 8 AMENDED, NOTE 9 REMOVED  
0 ISSUED FOR CONSTRUCTION

K.T. FEB'19 C.C. C.C.  
A.T. JAN'14 A.T. B.C.  
C.M. NOV'12 A.T. B.C.

NO	DESCRIPTION	DRN	DATE	CKD	APPD
AMENDMENTS					

**PowerWater**

NORTHERN TERRITORY

DES B.CHEUNG  
DRN C.McLAREN  
CKD A.TAYLOR  
APPD B.CHEUNG  
SCALE N.T.S.

POWER STANDARD DRAWING

SWITCHGEAR  
DRIESCHER MINEX-C RMU  
SHEET 1 OF 3 TYPE KKT

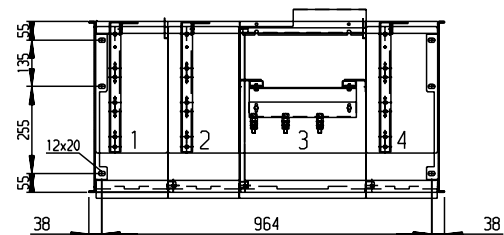
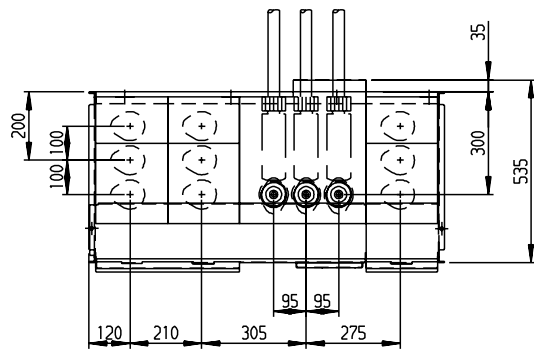
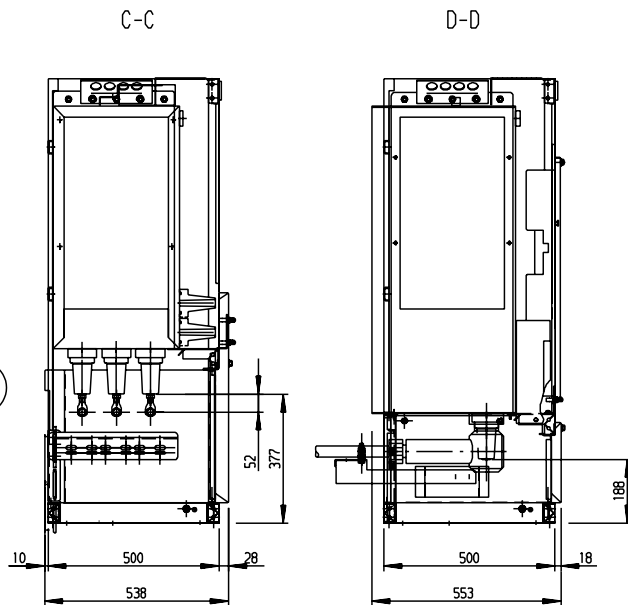
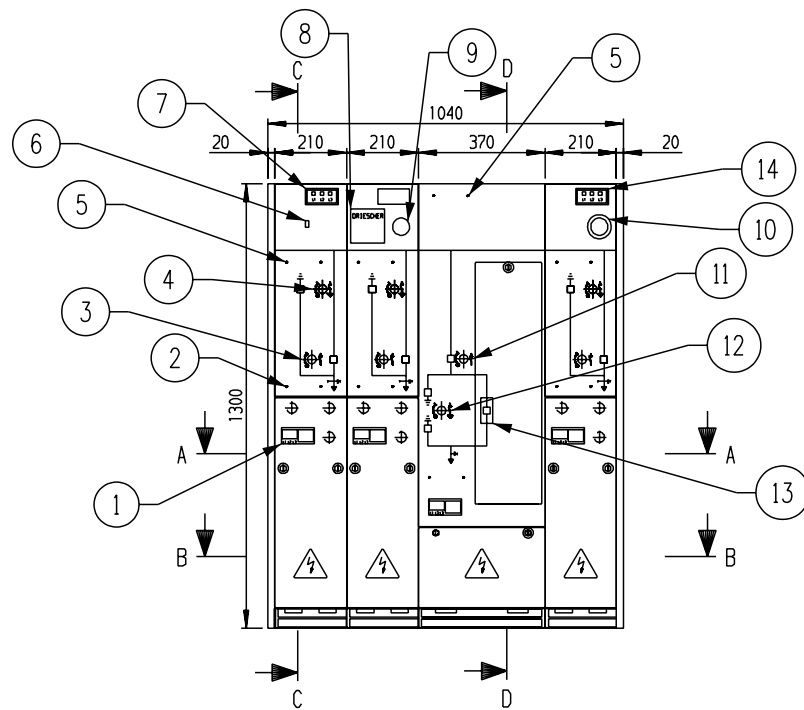
ISSUED NOV'12  
ALL DIM. IN mm

A3 DRAWING NUMBER S02-01-04-22\_1

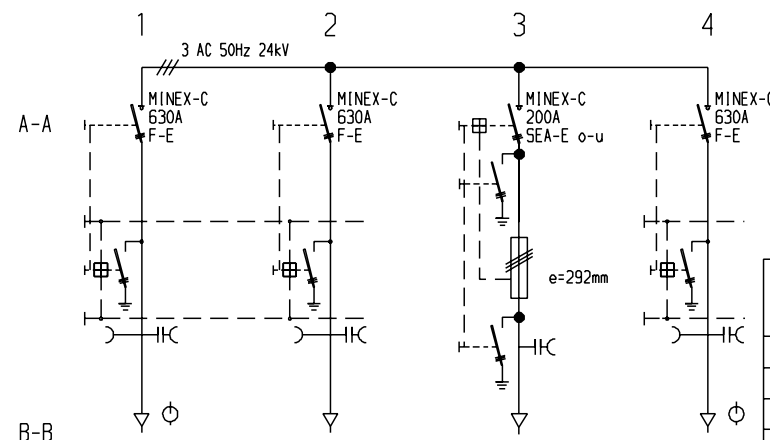
DRAFTING STANDARD TO A.S.1100

CAD PRODUCT - DO NOT AMEND MANUALLY





MINEX-C 24kV/630A



DRIESCHER MINEX-C KKTK  
ITEM NUMBER: 500479

NOTES:

- ALL MINEX-C RMU'S ARE FITTED WITH THE ANTI-BURST SYSTEM INSTALLED IN THE RMU TANK AS WELL AS THE CABLE COMPARTMENTS.
- ALL RMU'S SHALL BE RATED AT 24KV, REFER TO STANDARDS BULLETIN S01-061.
- SWITCH ISOLATORS (K CUBICALS) ARE RATED AT 630A.
- FUSED SWITCHES (T CUBICALS) ARE RATED AT 200A.
- RMU FAULT RATING IS 25KA.1SEC.
- ALL BUSHINGS SHALL BE 630A IN ACCORDANCE WITH DIN 47636.
- ALL CABLE DESTINATION AND SWITCH NUMBER TAGS SHALL BE ATTACHED TO THE RMU AT THE SPECIFIED LOCATIONS WITH FACTORY PROVIDED SCREWS.
- HORTSMANN COMPASS B FAULT INDICATORS SHALL BE FITTED TO SWITCH CUBICAL 1 ON EVERY MINEX-C RMU. COMPASS B FAULT INDICATORS SHALL BE FITTED WITH 3 PHASE CT'S. IF A SUMMATION CT IS FITTED IT SHALL BE REPLACED WITH ITEM NUMBER 501788 AND RECONFIGURE THE FAULT INDICATOR.
- 4-WAY KKTK RMU'S SHALL HAVE CUBICAL 4 FITTED WITH A HORTSMANN COMPASS A FAULT INDICATOR. COMPASS A FAULT INDICATORS SHALL BE FITTED WITH 3 PHASE CT'S. IF A SUMMATION CT IS FITTED REPLACE IT WITH ITEM NUMBER 501788 AND RECONFIGURE THE FAULT INDICATOR.
- ALL CUBICALS SHALL BE FITTED WITH HORTSMANN WEGA 1.2C VOLTAGE INDICATORS.
- ALL FUSES USED IN MINEX-C RMU'S SHALL BE 292MM LONG DIN 43625 STANDARD. REFER TO S02-01-04-03 FOR FURTHER DETAILS.
- ALL CABLE TERMINATIONS SHALL BE STRAIGHT SCREENED DEAD-BREAK TERMINATIONS, REFER TO TABLE B FOR ITEM NUMBERS.
- PHASE SEQUENCE IN K CUBICALS SHALL BE RED - WHITE - BLUE FROM THE FRONT TO BACK OF THE RMU.
- PHASE SEQUENCE IN T CUBICALS SHALL BE RED - WHITE - BLUE FROM LEFT TO RIGHT AS THE OPERATOR LOOKS AT THE RMU.

TABLE B  
XLPE CABLE TERMINATION BOOTS, 11kV

CABLE SIZE sq mm	ITEM NUMBER
95 ALUMINIUM	414778
240 ALUMINIUM	414779
300 COPPER	414780
400 ALUMINIUM	501664

XLPE CABLE TERMINATION BOOTS, 22kV

CABLE SIZE sq mm	ITEM NUMBER
120 COPPER	414781
240 ALUMINIUM	414783
240 COPPER	414782

ITEM No	DESCRIPTION
1	HORTSMANN WEGA 1.2C VOLTAGE PRESENCE INDICATOR
2	CABLE DESTINATION TAG
3	SWITCH ISOLATOR OPERATING MECHANISM
4	EARTH SWITCH OPERATING MECHANISM
5	SWITCH NUMBER TAG
6	ABS OPERATION INDICATOR
7	HORTSMANN COMPASS B FAULT INDICATOR
8	RMU DATA NAME PLATE
9	INSULATION SPARK TEST POINT
10	INSULATION GAS PRESSURE INDICATOR
11	FUSE SWITCH OPERATION MECHANISM
12	FUSE EARTHING SWITCH OPERATION MECHANISM
13	FUSE INDICATOR MIMIC
14	HORTSMANN COMPASS A FAULT INDICATOR

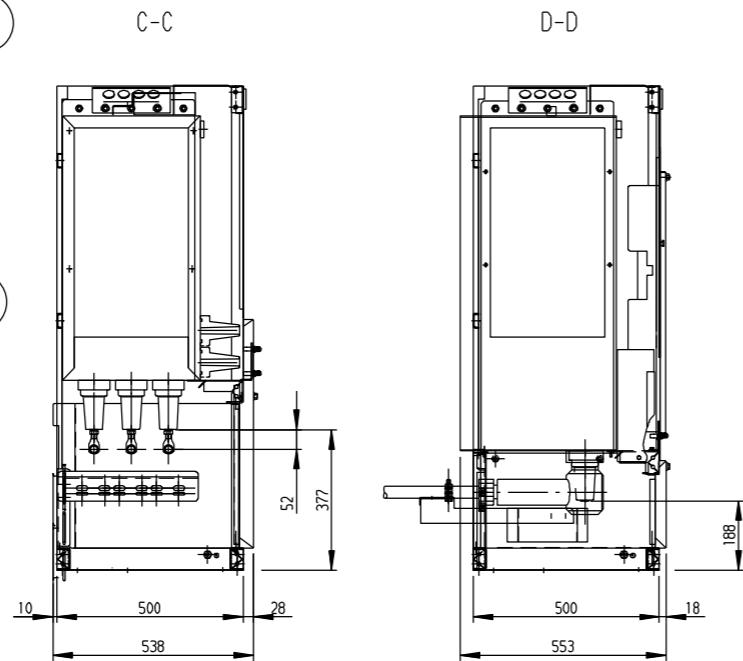
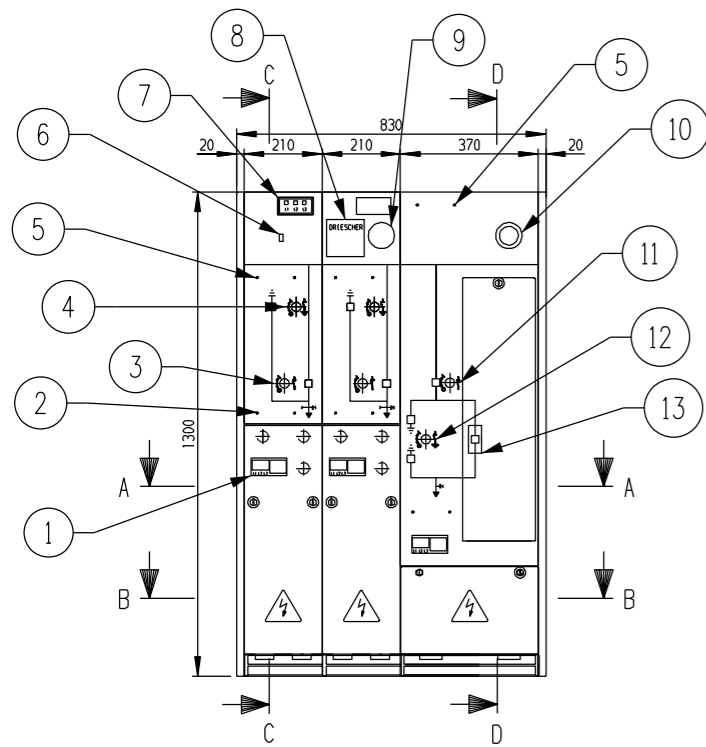
2	TITLEBLOCK & DRAWING NUMBER FORMATTED	K.T.	FEB'19	C.C.	C.C.
1	NOTE 8 AND 9 AMENDED	A.T.	JAN'14	A.T.	B.C.
0	ISSUED FOR CONSTRUCTION	C.M.	NOV'12	A.T.	B.C.
NO	DESCRIPTION	DRN	DATE	CKD	APPD
AMENDMENTS					



NORTHERN TERRITORY

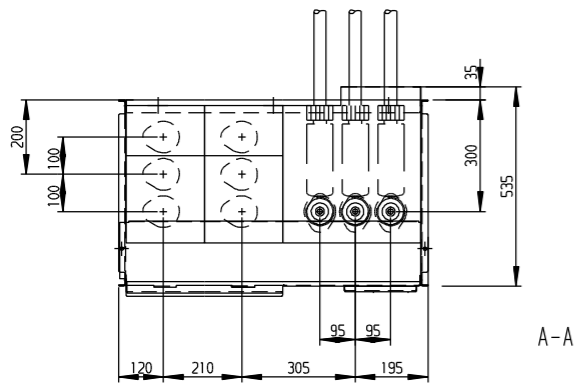
DES	B.CHEUNG	POWER STANDARD DRAWING	
DRN	C.McLAREN	SWITCHGEAR	
CKD	A.TAYLOR	DRIESCHER MINEX-C RMU	
APPD	B.CHEUNG	SHEET 2 OF 3 TYPE KKTK	
SCALE	N.T.S.	A3	DRAWING NUMBER S02-01-04-22_2
ISSUED	NOV'12		
ALL DIM.	IN mm	DRAWING NUMBER S02-01-04-22_2	
DRAFTING STANDARD TO A.S.1100		CAD PRODUCT - DO NOT AMEND MANUALLY	



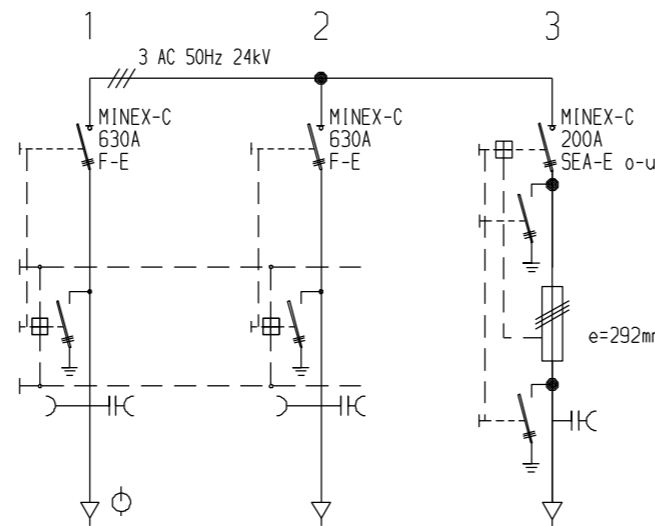


NOTES:

1. ALL MINEX-C RMU'S ARE FITTED WITH THE ANTI-BURST SYSTEM INSTALLED IN THE RMU TANK AS WELL AS THE CABLE COMPARTMENTS.
2. ALL RMU'S SHALL BE RATED AT 24KV, REFER TO STANDARDS BULLETIN S01-061.
3. SWITCH ISOLATORS (K CUBICALS) ARE RATED AT 630A.
4. FUSED SWITCHES (T CUBICALS) ARE RATED AT 200A.
5. RMU FAULT RATING IS 25KA.1SEC.
6. ALL BUSHINGS SHALL BE 630A IN ACCORDANCE WITH DIN 47636.
7. ALL CABLE DESTINATION AND SWITCH NUMBER TAGS SHALL BE ATTACHED TO THE RMU AT THE SPECIFIED LOCATIONS WITH FACTORY PROVIDED SCREWS.
8. HORTSMANN COMPASS B FAULT INDICATORS SHALL BE FITTED TO SWITCH CUBICAL 1 ON EVERY MINEX-C RMU. COMPASS B FAULT INDICATORS SHALL BE FITTED WITH 3 PHASE CT'S. IF A SUMMATION CT IS FITTED REPLACE IT WITH ITEM NUMBER 501788 AND RECONFIGURE THE FAULT INDICATOR.
10. ALL CUBICALS SHALL BE FITTED WITH HORTSMANN WEGA 1.2C VOLTAGE INDICATORS.
11. ALL FUSES USED IN MINEX-C RMU'S SHALL BE 292MM LONG DIN 43625 STANDARD. REFER TO S02-01-04-03 FOR FURTHER DETAILS.
12. ALL CABLE TERMINATIONS SHALL BE STRAIGHT SCREENED DEAD-BREAK TERMINATIONS, REFER TO TABLE B FOR ITEM NUMBERS.
13. PHASE SEQUENCE IN K CUBICALS SHALL BE RED - WHITE - BLUE FROM THE FRONT TO BACK OF THE RMU.
14. PHASE SEQUENCE IN T CUBICALS SHALL BE RED - WHITE - BLUE FROM LEFT TO RIGHT AS THE OPERATOR LOOKS AT THE RMU.



MINEX-C 24kV/630A



DRIESCHER MINEX-C KKT  
ITEM NUMBER: 413953

TABLE B XLPE CABLE TERMINATION BOOTS, 11kV	
CABLE SIZE sq mm	ITEM NUMBER
95 ALUMINIUM	414778
240 ALUMINIUM	414779
300 COPPER	414780
400 ALUMINIUM	501664
XLPE CABLE TERMINATION BOOTS, 22kV	
CABLE SIZE sq mm	ITEM NUMBER
120 COPPER	414781
240 ALUMINIUM	414783
240 COPPER	414782

ITEM No	DESCRIPTION
1	HORTSMANN WEGA 1.2C VOLTAGE PRESENCE INDICATOR
2	CABLE DESTINATION TAG
3	SWITCH ISOLATOR OPERATING MECHANISM
4	EARTH SWITCH OPERATING MECHANISM
5	SWITCH NUMBER TAG
6	ABS OPERATION INDICATOR
7	HORTSMANN COMPASS B FAULT INDICATOR
8	RMU DATA NAME PLATE
9	INSULATION SPARK TEST POINT
10	INSULATION GAS PRESSURE INDICATOR
11	FUSE SWITCH OPERATION MECHANISM
12	FUSE EARTHING SWITCH OPERATION MECHANISM
13	FUSE INDICATOR MIMIC

NO	DESCRIPTION	DRN	DATE	CKD	APPD
2	TITLEBLOCK & DRAWING NO FORMATTED	C.C.	AUG'19	M.S.	C.C.
1	NOTE 8 AMENDED, NOTE 9 REMOVED	A.T.	JAN'14	A.T.	B.C.
0	ISSUED FOR CONSTRUCTION	C.M.	NOV'12	A.T.	B.C.
AMENDMENTS					



DES	B.CHEUNG	POWER STANDARD DRAWING		
DRN	C.MCLAREN	SWITCHGEAR DRIESCHER MINEX-C RMU SHEET 3 OF 3 TYPE KKT		
CKD	A.TAYLOR			
APPD	B.CHEUNG			
SCALE	N.T.S.			
ISSUED	NOV'12	A3	DRAWING NUMBER	S02-01-04-22_3
ALL DIM.	IN mm			
DRAFTING STANDARD TO A.S.1100		CAD PRODUCT - DO NOT AMEND MANUALLY		AMDT