

FOR INTERNAL DETAILS  
REFER DWG S01-02-03-18  
ITEM 2

- NOTES:**
- HOT STICK IS OPTIONAL FOR THE PERSONAL PROTECTIVE BONDER.
  - SHEPHERDS CROOK STICK MAY BE USED AS A SUBSTITUTE FOR THE HOT STICK.
  - HOT STICK INCLUDES TAG N 1 (REF S01-02-03-18).

**ITEM 1 - PORTABLE EARTH SET**  
(ITEM NUMBER - 257451)

**ITEM 2 - PERSONAL PROTECTIVE BONDER**  
(ITEM NUMBER - 258228)

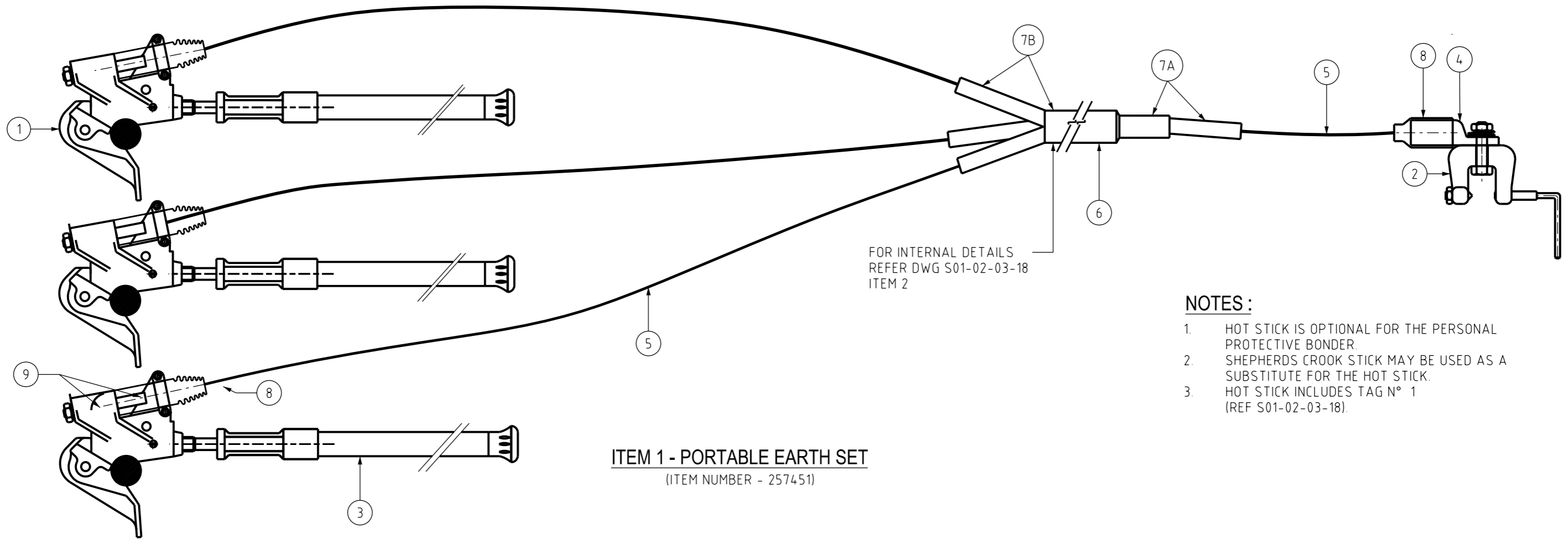
QTY.	TAG No	QTY.	DESCRIPTION	ITEM NUMBER	DRG REF
3	13	7	WASHER, FLAT, 12 mm	113944	-
3	12	7	NUT M12 NYLOC	-	-
1	11	3	HOT STICK (SEE NOTE 3).	-	S01-02-03-18
2	10	4	HEAT SHRINK 19 - 9.5 mm BLACK	4382	-
-	9B	1	HEATSHRINK GLOVE WITH MASTIC	-	S01-02-03-18
-	9A	1	HEATSHRINK GLOVE WITH MASTIC	-	S01-02-03-18
3	8	7	M12x50 LG. BOLT C/W NUT	114470	-
3	7	7	WASHER, SPRING M12	239616	-
-	6	1	LINK - 3x70 sq.mm to 1x70 sq.mm	257493	S01-02-03-18
3 m	5	3 mx4	CONDUCTOR - 1120 ALLOY ALUMINIUM - 70 sq.mm	257469	-
1	4	1	LUG - 1 HOLE PALM - 70 sq.mm, ALUMINIUM	285593	-
1	3	3	LUG - 2 HOLE PALM - 70 sq.mm, ALUMINIUM	257501	-
1	2	1	CLAMP - POLE	257477	-
1	1	3	CLAMP-SNAP ACTION-UP TO 32 mm DIA. CONDUCTOR	257485	-
QTY.	TAG No	QTY.	DESCRIPTION	ITEM NUMBER	DRG REF
ITEM 2		ITEM 1	MATERIAL SCHEDULE		

NO	DESCRIPTION	DRN	DATE	CKD	APPD
2	UPDATE STOCK CODE TO ITEM NUMBER	C.C.	MAR'21	B.V.	B.C.
1	NEW CLAMP ADDED	J.C.	APR'06	B.C.	S.C.
AMENDMENTS					



POWER STANDARD DRAWING			
DES	AG	EARTHING OPERATOR APPLIED PORTABLE EARTH SET AND PERSONAL PROTECTIVE BONDER SHEET 1 OF 3	
DRN	J.A.L.		
CKD	S.C.M.		
APPD	P.J.D.		
SCALE	1:5		
ISSUED	JUN'95	A3	DRAWING NUMBER S01-02-03-17_1
ALL DIM. IN mm			
DRAFTING STANDARD TO A.S.1100		CAD PRODUCT - DO NOT AMEND MANUALLY	



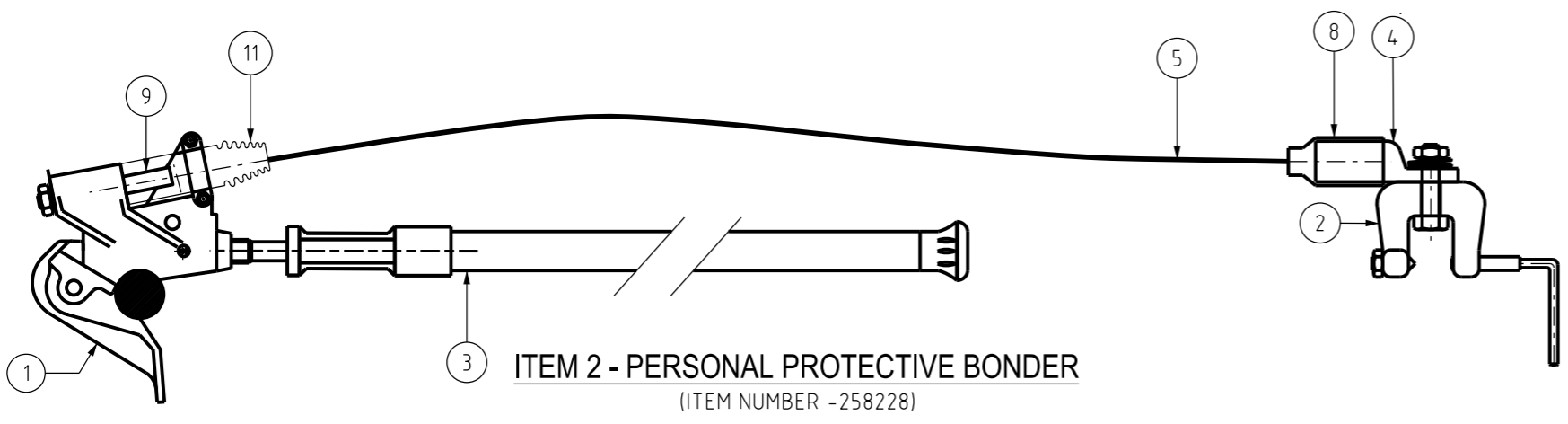


FOR INTERNAL DETAILS  
REFER DWG S01-02-03-18  
ITEM 2

**NOTES:**

1. HOT STICK IS OPTIONAL FOR THE PERSONAL PROTECTIVE BONDER.
2. SHEPHERDS CROOK STICK MAY BE USED AS A SUBSTITUTE FOR THE HOT STICK.
3. HOT STICK INCLUDES TAG N° 1 (REF S01-02-03-18).

**ITEM 1 - PORTABLE EARTH SET**  
(ITEM NUMBER - 257451)



**ITEM 2 - PERSONAL PROTECTIVE BONDER**  
(ITEM NUMBER - 258228)

TAG No	QTY.	QTY.	DESCRIPTION	ITEM No	DRG No.
11	3	1	STRAIN RELIEF SLEEVES	-	-
10	7	3	NUT M12 NYLOC	-	-
9	3	1	THREADED GROUNDING FERRULES	-	S01-02-03-18
8	4	2	HEAT SHRINK 19 - 9.5 mm BLACK	4382	-
7B	1	-	HEATSHRINK GLOVE WITH MASTIC	-	S01-02-03-18
7A	1	-	HEATSHRINK GLOVE WITH MASTIC	-	S01-02-03-18
6	1	-	LINK - 3x70 sq.mm to 1x70 sq.mm	257493	S01-02-03-18
5	3 mx4	3 m	CONDUCTOR - 1120 ALLOY ALUMINIUM - 70 sq.mm	257469	-
4	1	1	LUG - 1 HOLE PALM - 70 sq.mm, ALUMINIUM	285593	-
3	3	1	HOT STICK (NOTE 3)	-	S01-02-03-18
2	1	1	CLAMP - POLE	257477	-
1	2	1	CLAMP-SNAP ACTION-UP TO 32 mm DIA. CONDUCTOR	257485	-
ITEM 1	ITEM 2	MATERIAL SCHEDULE			

NO	DESCRIPTION	DRN	DATE	CKD	APPD
3	REFORMAT MATERIAL SCHEDULE TABLE	CC	MAR'21	B.V.	B.C.
2	TITLEBLOCK & DRAWING NUMBERS FORMATTED	K.T.	JAN'19	CC	CC.
1	NEW CLAMP ADDED	J.C.	APR'08	B.C.	S.C.
AMENDMENTS					



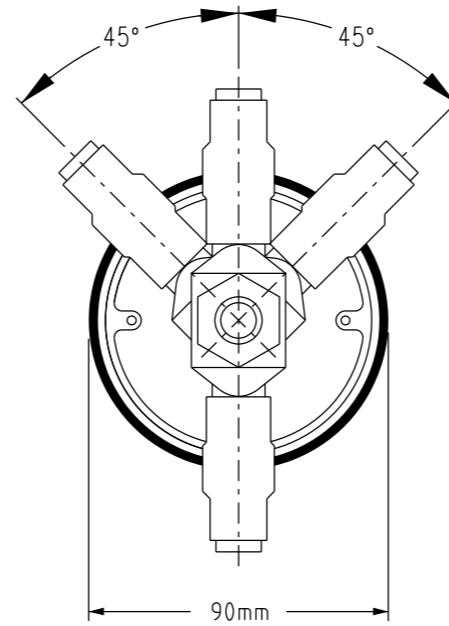
POWER STANDARD DRAWING			
DES	AG	EARTHING OPERATOR APPLIED PORTABLE EARTH SET AND PERSONAL PROTECTIVE BONDER SHEET 2 OF 3	
DRN	J.A.L.		
CKD	S.C.M.		
APPD	P.J.D.		
SCALE	1:5		
ISSUED	JUN'1995	A3	DRAWING NUMBER S01-02-03-17_2
ALL DIM. IN mm			
DRAFTING STANDARD TO A.S.1100		CAD PRODUCT - DO NOT AMEND MANUALLY	





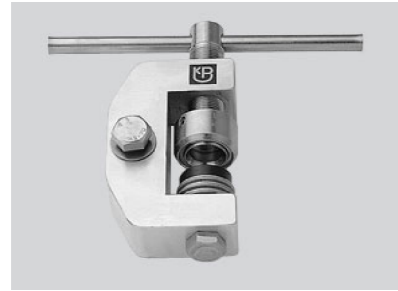
**EARTHING CLAMP**

**DULMISON LEC635R**  
 SHORT CIRCUIT CURRENT 0.5 SEC - 44kA  
 CLAMPING RANGE - 6 - 35mm  
 CONNECTION SCREW -



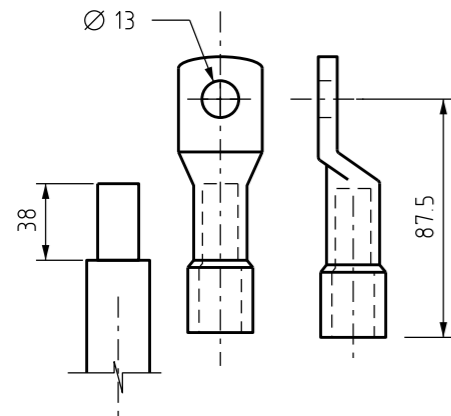
**HIGH VOLTAGE CONNECTOR SCREW**

MAXIMUM CABLE CROSS SECTION - 120sqmm  
 MAXIMUM PERMISSIBLE SHORT CIRCUIT CURRENT, 0.5sec. - 33.5kA  
 CLAMPING RANGE - 10 - 85mm  
 CLAMPING WIDTH - 40mm  
 CONNECTION SCREW - M12



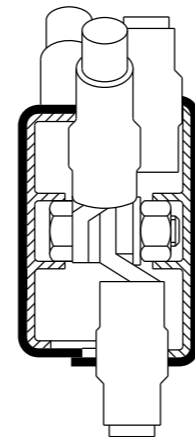
**EARTHING CLAMP**

**PFISTERER TYPE F2**  
 SHORT CIRCUIT CURRENT 1 SEC - 23.7kA  
 CLAMPING RANGE - 2 - 22mm  
 CONNECTION SCREW - M12



**COMPRESSION CABLE LUG**

CONDUCTOR X-SECTION - 70sqmm



**NODE POINT**

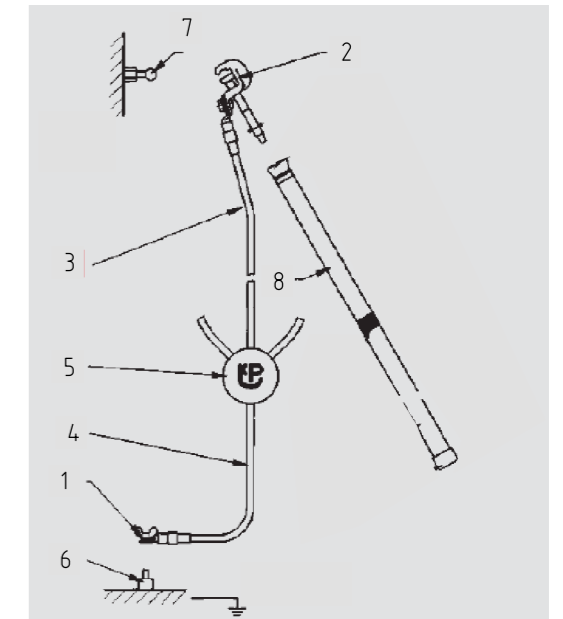
(TIGHTENED TO 56Nm)

**SHORT CIRCUIT RATING OF COMPLETE UNIT**

10sec	5sec	2sec	1sec	0.5sec	ITEM NUMBER
4.4kA	6.2kA	9.8kA	13.8kA	19.5kA	406772

**LEGEND :**

- 1. CONNECTING PART TO EARTH
- 2. CONNECTING PART TO CONDUCTOR
- 3. SHORT-CIRCUITING CABLE (3 x 5m x 70sqmm Cu)
- 4. EARTHING CABLE (1 x 5m x 70sqmm Cu)
- 5. CONNECTING PIECE
- 6. CONNECTING POINT OF EARTHING SYSTEM
- 7. CONNECTING POINT OF CONDUCTOR
- 8. INSULATED ROD



NO	DESCRIPTION	DRN	DATE	CKD	APPD
3	UPDATED STOCK CODE TO ITEM NUMBER.	C.C.	MAR'21	B.V.	B.C.
2	TITLEBLOCK & DRAWING NUMBER FORMATTED.	K.T.	JAN'19	C.C.	C.C.
1	CABLE LENGTH CHANGED, EARTH CLAMP CHANGED.	J.C.	-	-	-
<b>AMENDMENTS</b>					



DES -	POWER STANDARD DRAWING		
DRN -	EARTHING		
CKD -	PORTABLE EARTHING & SHORT-CIRCUITING		
APPD -	DEVICES ASSEMBLY FOR ZONE SUBSTATIONS		
SCALE N.T.S.	SHEET 3 OF 3		
ISSUED -	A3	DRAWING NUMBER	S01-02-03-17_3
ALL DIM. IN mm			
DRAFTING STANDARD TO A.S.1100	CAD PRODUCT - DO NOT AMEND MANUALLY		AMDT