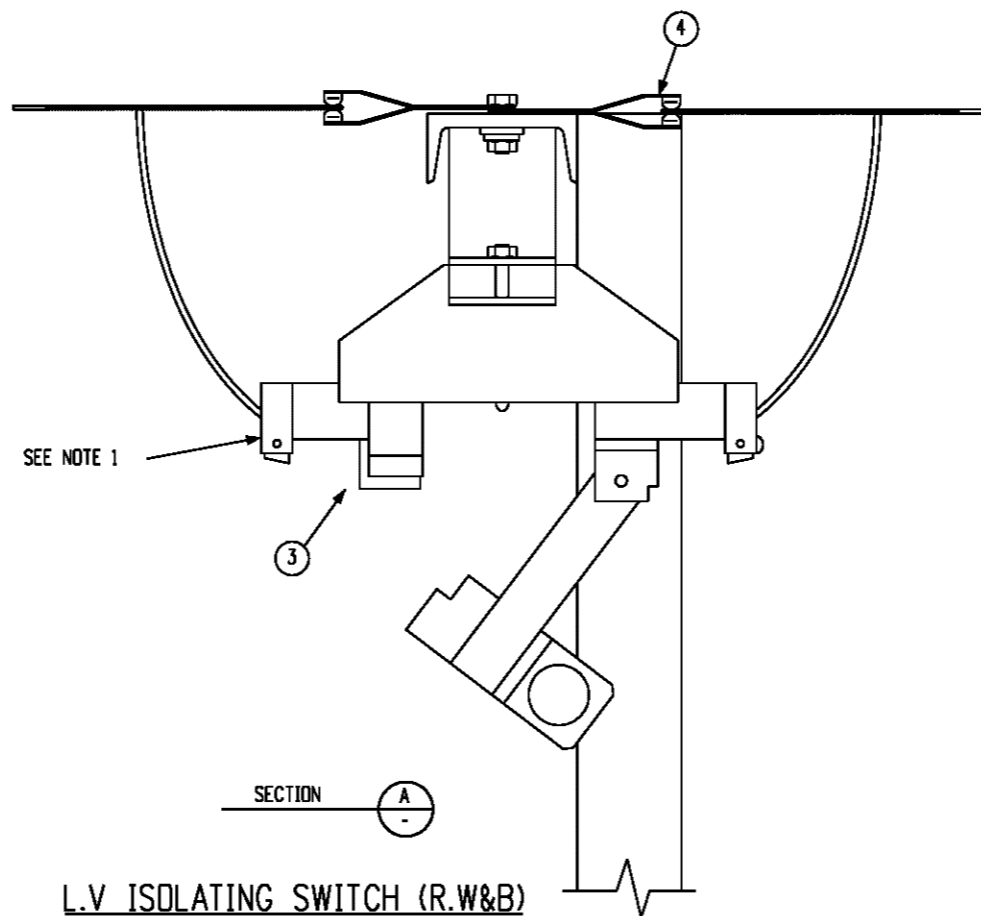
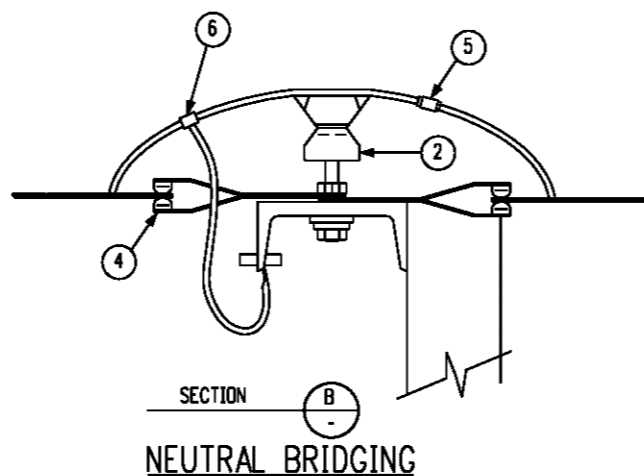


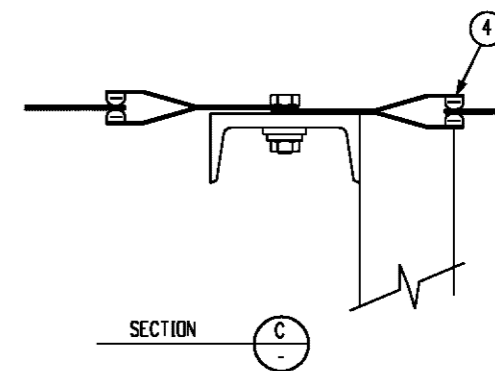
ISOLATING SWITCHES



L.V. ISOLATING SWITCH (R.W&B)



NEUTRAL BRIDGING



STREET LIGHTING TERMINATIONS

NOTE

1. TERMINATE CONDUCTOR DIRECT INTO TERMINAL EXCEPT WHERE TERMINATED ON POLES WITHIN 100m OF COAST LINE WITHIN 100m TERMINATE CONDUCTOR VIA BI-METAL STALK LUG BRUSH DIRECT CONNECTING WITH ANTI OXIDENT GREASE
2. 800 A ISOLATING SWITCHES TO BE USED WITH BOLT ON BI-METAL LUGS TO SUIT CONDUCTOR SIZE USED

ITEM	DESCRIPTION	DWG No.
6	CLAMP - NEUTRAL BOND	S01-01-04-17
5	CLAMP - PARALLEL GROOVE	S01-01-04-25
4	L.V. SHACKLE TYPE S.T.	S01-01-04-03
3	ISOLATING SWITCH 400A, 800A	S01-01-06-01
2	L.V SHACKLE AND PIN INSULATOR ASSEMBLY TYPE 'SP 30'	S01-02-01-06

8	TITLEBLOCK & DRAWING NUMBERS FORMATTED	K.T.	JAN'19	C.C.	C.C.
7	REDRAWN IN CAD	C.C.	OCT'10	A.T.	S.C.
NO	DESCRIPTION	DRN	DATE	CKD	APPD
AMENDMENTS					



DES .	POWER STANDARD DRAWING		
DRN .	POLE TOP UNITS		
CKD .	ISOLATING SWITCHES		
APPD .	LOW VOLTAGE		
SCALE .	A3	DRAWING NUMBER	S01-02-02-14
ISSUED .			
ALL DIM. IN mm	DRAWING NUMBER		S01-02-02-14
DRAFTING STANDARD TO A.S.1100		CAD PRODUCT - DO NOT AMEND MANUALLY	

